

NOTES:

1. MATERIALS AND FINISHES:  
 BODY, FERRULE AND BAYONET SLEEVE - BRASS, NICKEL PLATING  
 OUTER CONTACT - BeCu, NICKEL PLATING  
 CONTACT - PHOSPHOR BRONZE, GOLD PLATING  
 INSULATOR - PTFE, NATURAL
2. ELECTRICAL:  
 A. IMPEDANCE: 75 OHM  
 B. FREQUENCY RANGE: DC - 4 GHz  
 C. RETURN LOSS: 30 dB MIN @ 3 GHz  
 D. DIELECTRIC WITHSTANDING VOLTAGE: 1000 VRMS, MIN.  
 E. INSULATION RESISTANCE: 10,000 MΩ MIN
3. MECHANICAL:  
 A. DURABILITY: 500 CYCLES MIN.  
 B. TEMPERATURE RANGE: -65° C TO +165° C
4. ENVIRONMENTAL:  
 A. THERMAL SHOCK PER MIL-STD-202 METHOD 107  
 TEST CONDITION B (EXCEPT HIGH TEMP @200°C)  
 B. VIBRATION: MIL-STD-202 METHOD 204 TEST CONDITION B  
 C. SHOCK: MIL-STD-202 METHOD 213 TEST CONDITION B  
 D. CORROSION: MIL-STD-202 METHOD 101  
 TEST CONDITION B 5% SALT SOLUTION
5. PACKAGING:  
 A. QUANTITY: SINGLE PACK  
 B. MARKING: BAG TO BE MARKED:  
 "AMPHENOL RF, 34-1025 DATE CODE  
 U.S. PATENT NO. 7,553,177"
6. HIGH DENSITY INSTALLATION/REMOVAL TOOL: 227-T2000.

7. CABLE ASSEMBLY INSTRUCTIONS:  
 A. TRIM CABLE AS SHOWN.  
 B. CRIMP CONTACT TO CABLE CENTER CONDUCTOR  
 WITH .042 INCH SQUARE DIE  
 C. CRIMP FERRULE WITH .255 INCH HEX

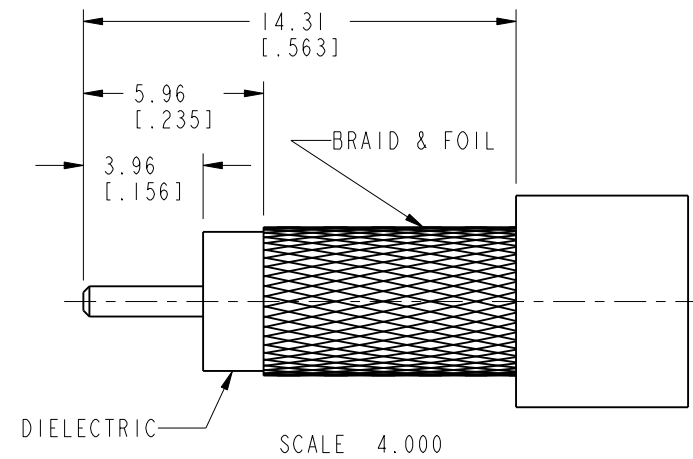
8. SHOWS CABLE ENTRY DIMENSIONS.

INTERFACE PER  
 349-50820  
 SERIES : HD-BNC PLUG

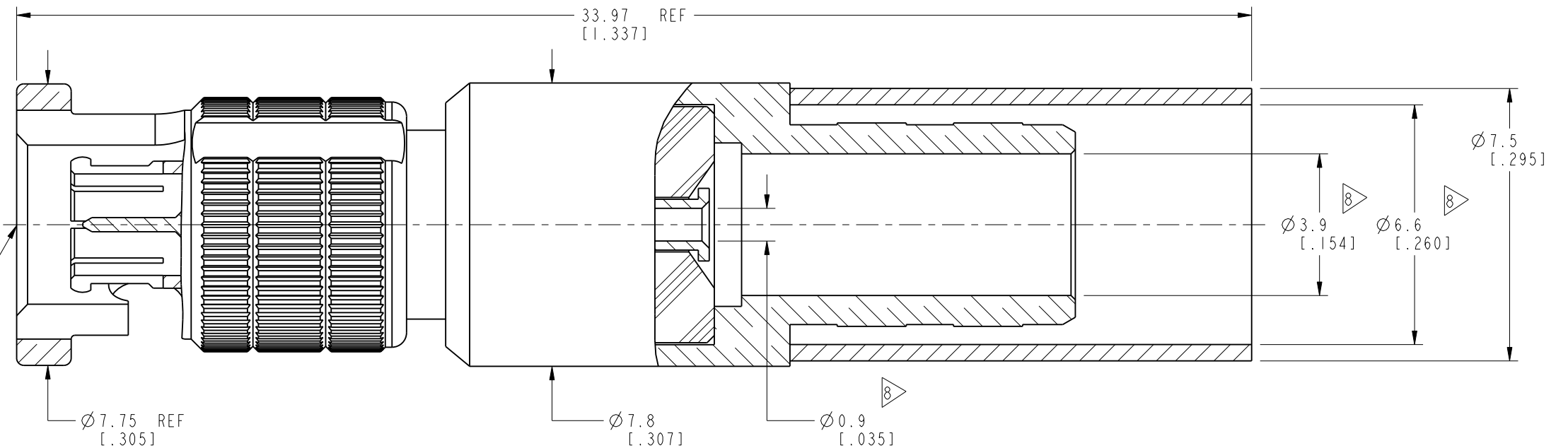
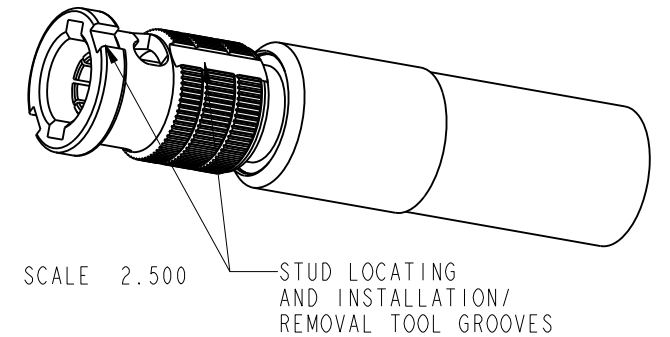
THIRD ANGLE PROJ.

REVISIONS

REV	DESCRIPTION	DATE	ECO	APPR
A	RELEASED TO MFG.	09-Oct-10	48162	TD
B	NOTE 5-B WAS CHANGED	23-Feb-11	48437	SH
C	COUPLING MECHANISM UPDATED	20-Aug-12	49203	SH



**RECOMMENDED CABLE STRIPPING DIMENSIONS**



**PROTECTED UNDER U.S. PATENT # 7,553,177**

**CUSTOMER OUTLINE DRAWING**

ALL OTHER SHEETS ARE FOR INTERNAL USE ONLY

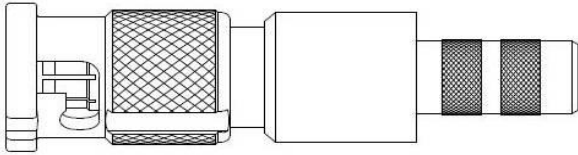
UNLESS OTHERWISE SPECIFIED, DIMENSIONS ARE IN METRIC AND TOLERANCES ARE: <0.5mm ±0.05mm    0.5 - 6mm ±0.1mm    6 - 30mm ±0.2mm    30 - 120mm ±0.3mm    ANGLES ±1°	MATERIAL	DRAWN	DATE	TITLE	Amphenol RF Danbury CT USA, Tainan, Taiwan, Shenzhen, China www.amphenolrf.com
	SEE NOTES	T. DENG	20-Aug-12		
NOTICE - These drawings, specifications, or other data (1) are, and remain the property of Amphenol corp. (2) must be returned upon request; and (3) are confidential and not to be disclosed to any person other than those to whom they are given by Amphenol Corp. the furnishing of these drawings, specifications, or other data by Amphenol Corp., or to any other person to anyone for any purpose is not to be regarded by implication or otherwise in any manner licensing, granting rights to permitting such holder or any other person to manufacture, use or sell any product, process or design, patented or otherwise, that may in any way be related to or disclosed by said drawings, specifications, or other data.	REFERENCE	ENGINEER	DATE	SCALE: 6.8:1.0   SHEET 2 OF 2	DRAWING NO. 34-1025
	EAR # 3983	A. ARUN PRABU	13-May-10		DWG SIZE B    REV C
	CONFIGURATION LEVEL:	APPROVED	DATE		
FINISH	S. HSIEH	20-Aug-12			

# ASSEMBLY INSTRUCTIONS

AmphenolRF

## HD - BNC CRIMP PLUGS

REV - 1



PLUG BODY ASSEMBLY



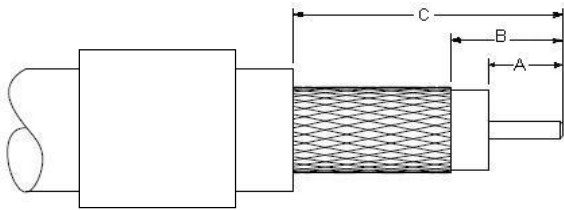
MALE CONTACT



OUTER FERRULE

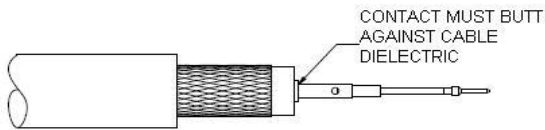
AMPHENOL NUMBER	CABLE	HEX CRIMP DATA			STRIPPING DIMENSIONS, INCHES (MM)		
		CAVITY FOR CONTACT	CAVITY FOR OUTER FERRULE	CTL SERIES TOOL NUMBER	A	B	C
34-1026	1855A, T8550A	0.042 (1.1) □	0.178 (4.6) ◊	CTL-15	0.156 (3.96)	0.233 (5.92)	0.562 (14.27)
34-1037	1855ENH, 0.6/2.8	0.042 (1.1) □	0.197 (5.0) ◊	-	0.156 (3.96)	0.250 (6.35)	0.594 (15.09)
34-1037-100	1855ENH, IMAGE 360, 1.0/4.8	0.042 (1.1) □	0.197 (5.0) ◊	-	0.156 (3.96)	0.250 (6.35)	0.594 (15.09)
34-1033	TFC HD 210	0.042 (1.1) □	0.213 (5.4) ◊	-	0.156 (3.96)	0.233 (5.92)	0.562 (14.27)
34-1027	1695A	0.042 (1.1) □	0.255 (6.5) ◊	CTL-14	0.156 (3.96)	0.235 (5.97)	0.564 (14.33)
34-1025	1505A, T5050A, IMAGE 720, 0.8/3.7	0.042 (1.1) □	0.255 (6.5) ◊	CTL-14	0.156 (3.96)	0.235 (5.97)	0.564 (14.33)
34-1017-300	1694A, T6940A, IMAGE 1000	0.042 (1.1) □	0.278 (7.1) ◊	-	0.156 (3.96)	0.235 (5.97)	0.564 (14.33)

### STEP 1



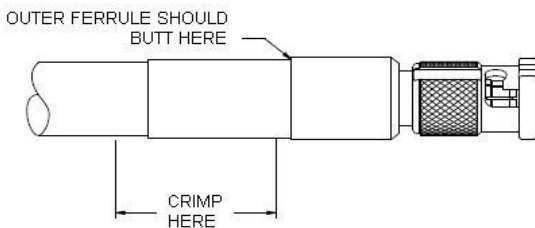
Step 1 - Strip cable jacket, braid, and dielectric to dimensions in table above. All cuts are to be sharp and square. Important : Do not nick braid dielectric and center conductor. Slide outer ferrule onto cable as shown.

### STEP 2



Step 2 - Flare slightly end of cable braid to facilitate insertion of inner ferrule. Place contact on cable center conductor so that it butts against cable dielectric. Crimp contact in place using die set cavity indicated in table above.

### STEP 3



Step 3 - Install cable assembly into body assembly so that inner ferrule portion slides under braid. Push cable assembly forward until contact snaps into place in insulator. Slide outer ferrule over braid and up against connector body. Crimp outer ferrule using die set cavity specified in table above.

**Use tool 227-T2000 (1 ft long) or 227-T2000-2FT (2 ft long) for installation and removal of the HD-BNC plug.**