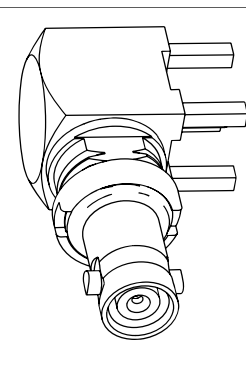
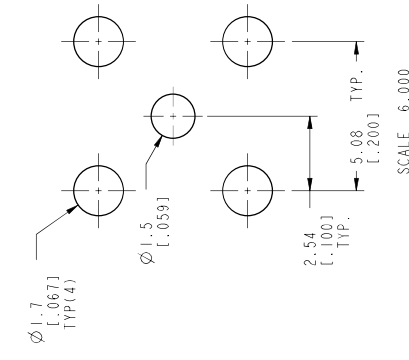
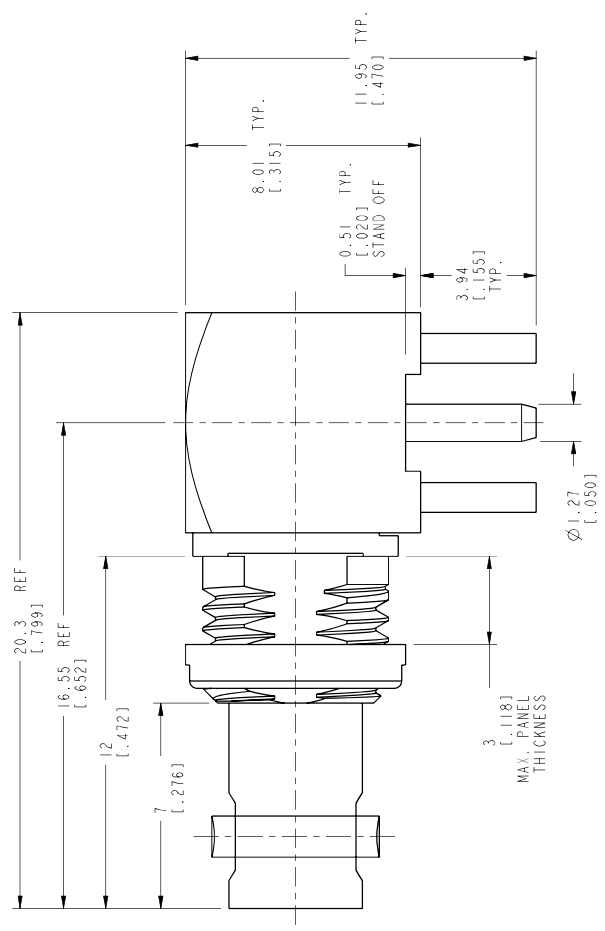


THIRD ANGLE PROJ.		REVISIONS	
REV	DESCRIPTION	DATE	ECO
A	RELEASE TO MFG.	08-Apr-13	49282
			TD

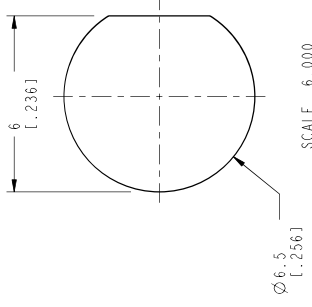
- NOTES:
- MATERIALS AND FINISHES:
BODY - BRASS, NICKEL PLATING
HOUSING - BRASS, MATTE TIN PLATING
CONTACT - BeCu, GOLD PLATING
INSULATOR - PTFE, NATURAL
 - ELECTRICAL:
A. IMPEDANCE: 50 OHMS
B. FREQUENCY RANGE: DC - 6 GHz
C. RETURN LOSS: 50 dB MIN @ DC-3 GHz
25 dB MIN @ 3-6 GHz
D. DIELECTRIC WITHSTANDING VOLTAGE: 1000 VRMS, MIN.
E. INSULATION RESISTANCE: 10,000 MEGOHMS MIN
 - MECHANICAL:
A. DURABILITY: 500 CYCLES MIN.
 - ENVIRONMENTAL:
A. THERMAL SHOCK PER MIL-STD-202 METHOD 107 TEST CONDITION B (EXCEPT HIGH TEMP @200° C)
B. VIBRATION: MIL-STD-202 METHOD 204 TEST CONDITION B
C. SHOCK: MIL-STD-202 METHOD 213 TEST CONDITION B
D. CORROSION: MIL-STD-202 METHOD 101 TEST CONDITION B 5% SALT SOLUTION
 - PACKAGING:
A. QUANTITY: SINGLE PACK
B. MARKING: MARK BAG OR TAG "AMPHENOL RF, 34-5024, AND DATE CODE"



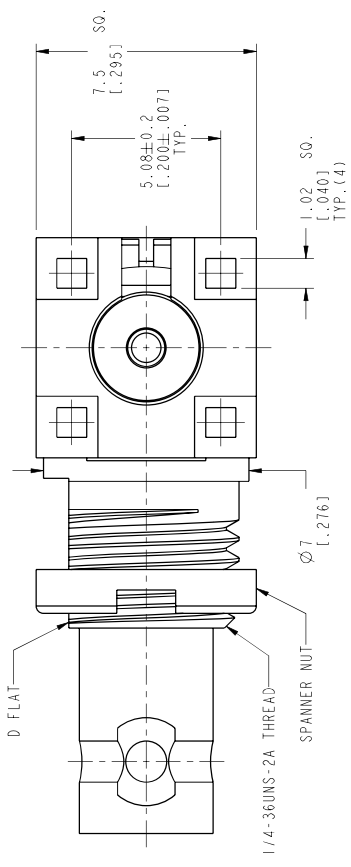
SCALE 3.500



RECOMMENDED MOUNTING HOLE DIMENSIONS



RECOMMENDED PANEL CUTOUT DIMENSIONS



CUSTOMER OUTLINE DRAWING
ALL OTHER SHEETS ARE FOR INTERNAL USE ONLY

MATERIAL	TITLE	DATE	DATE
SEE NOTES	50 OHM HD BNC RA BHD JACK PCB MOUNT	08-Apr-13	08-Apr-13
REFERENCE EAR # 5400 CONFIGURATION LEVEL:	REV A	ENGINEER RAJAVIJAYAN S	DATE 12-Jul-12
FINISH	DWG SIZE B	APPROVED H. HE	DATE 08-Apr-13
UNLESS OTHERWISE SPECIFIED, DIMENSIONS ARE IN METRIC AND TOLERANCES ARE: ± 0.3mm 0.5 - 6mm ± 0.1mm 6 - 30mm ± 0.2mm 30 - 120mm ± 0.3mm ANGLES	Amphenol RF www.amphenolrf.com	DRAWN	REV
NOTICE: These drawings, specifications, or other data (1) are, and remain the property of Amphenol Corp. (2) must be returned upon request, and (3) are confidential and not to be disclosed to any person other than those to whom they are intended. Amphenol Corp. reserves the right to change specifications or other data by Amphenol Corp., or to any other person to whom they are intended, without notice. Amphenol Corp. and its subsidiaries, agents, and licensors, grant no rights to permitting such holder or any other person to manufacture, use or sell any product, process or design, patented or otherwise, that may in any way be related to or disclosed by said drawings, specifications, or other data.	DRAWING NO. 34-5024	DATE	SHEET 2 OF 2
	ITEM NO. 34-5024		REV A
	PART NO. 34-5024		