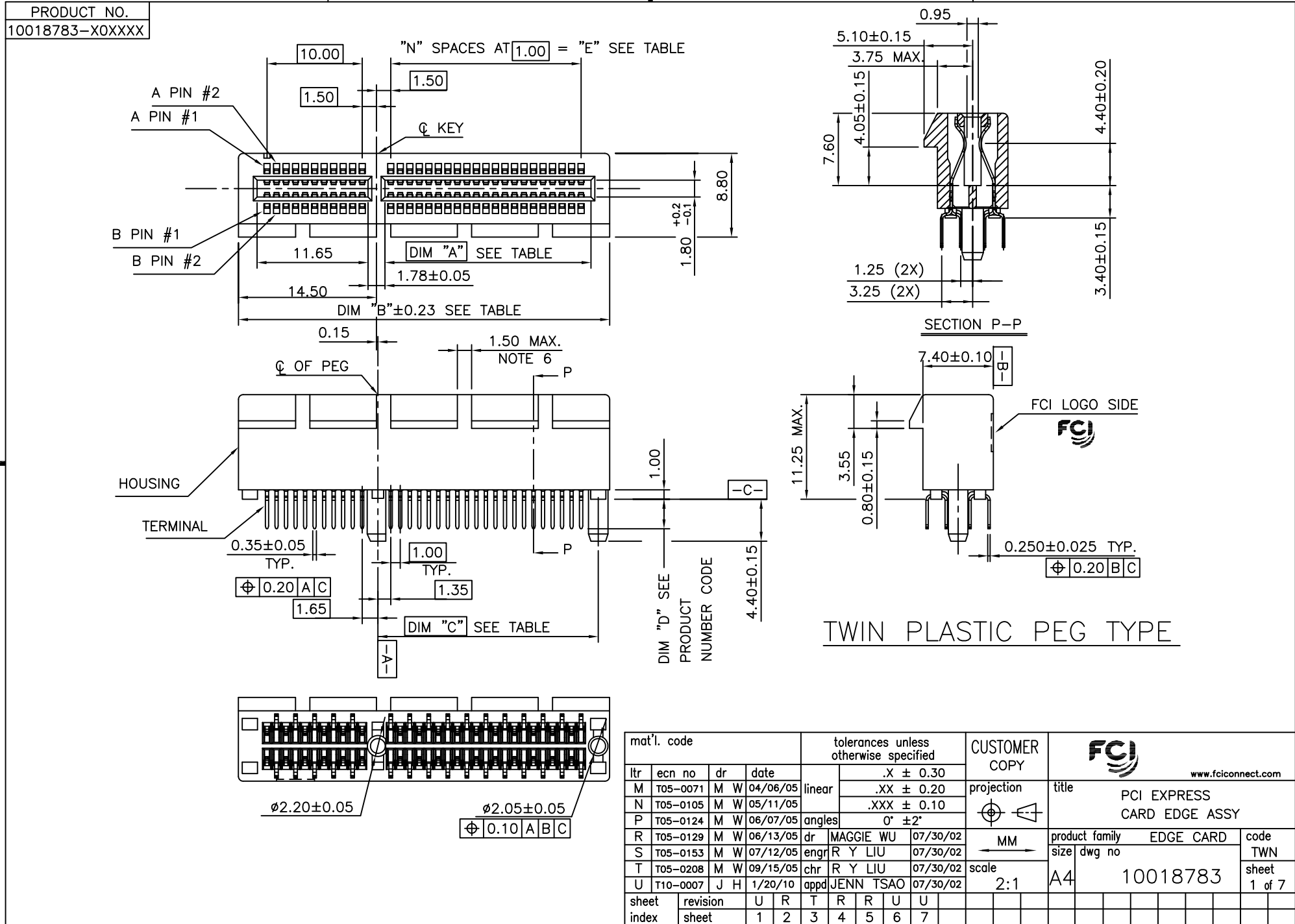


Tous droits strictement reserves. Reproduction ou communication a des tiers interdite sous quelque forme que ce soit sans autorisation écrite du propriétaire. Propriete de c FCI. Droits de reproduction FCI.



All rights strictly reserved. Reproduction or issue to third parties in any form whatever is not permitted without written authority from the proprietor. Property of FCI. Copyright FCI.



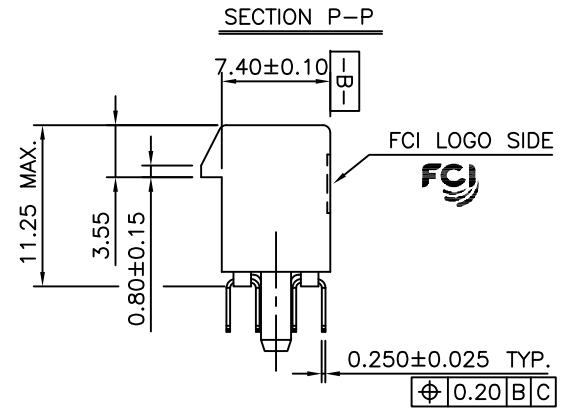
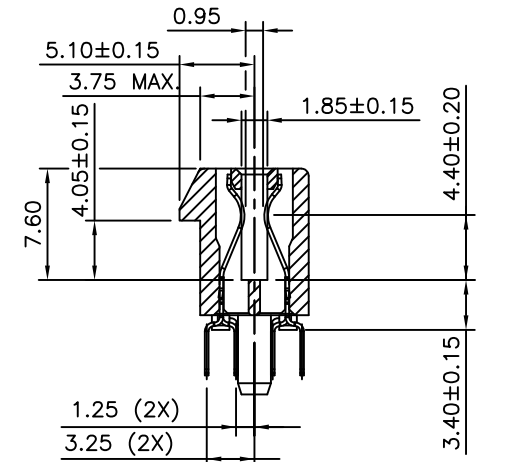
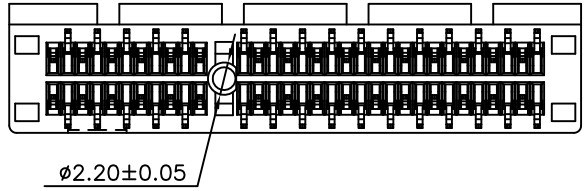
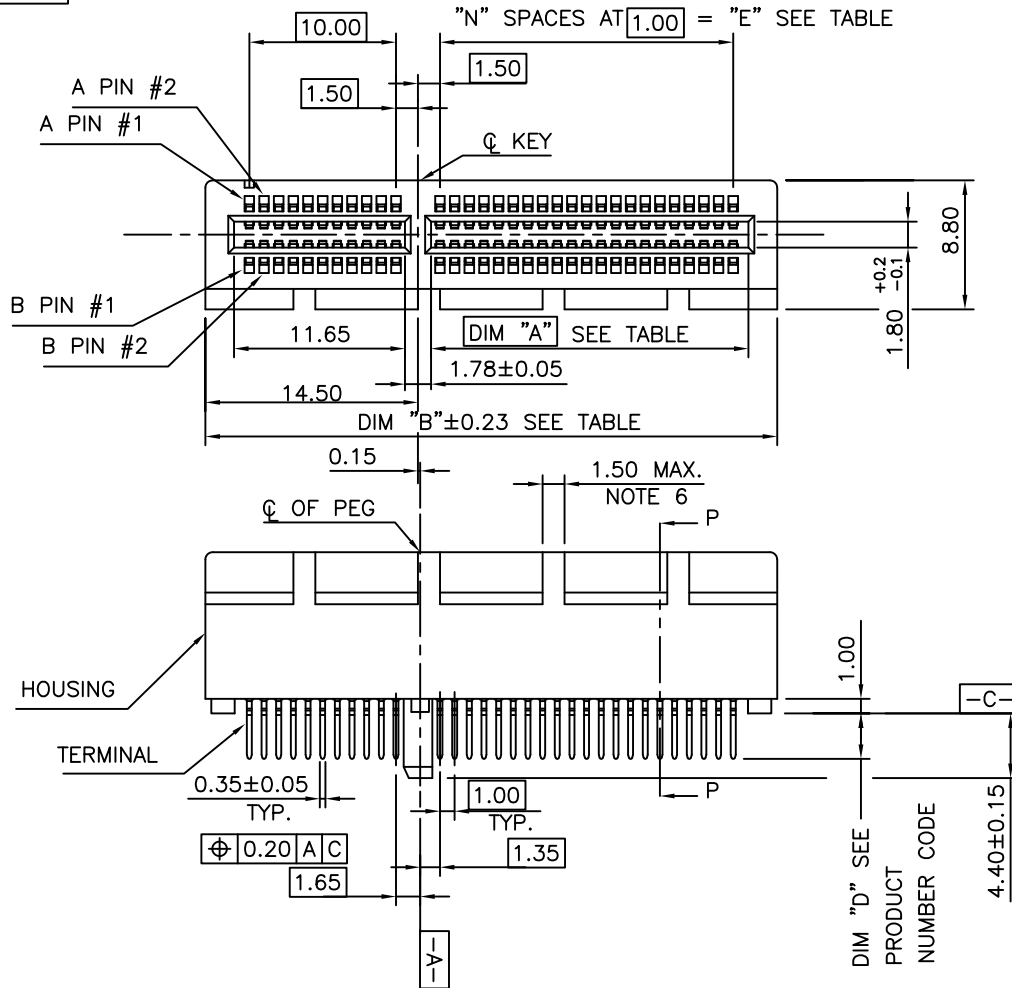
mat'l. code				tolerances unless otherwise specified			CUSTOMER COPY	FCI www.fciconnect.com				
ltr	ecn no	dr	date	linear	.X ± 0.30		projection ⊕	title PCI EXPRESS CARD EDGE ASSY				
M	T05-0071	M W	04/06/05		.XX ± 0.20							
N	T05-0105	M W	05/11/05		.XXX ± 0.10							
P	T05-0124	M W	06/07/05	angles	0° ±2°		product family EDGE CARD code TWN size dwg no 10018783 sheet 1 of 7					
R	T05-0129	M W	06/13/05	dr	MAGGIE WU	07/30/02				scale 2:1 A4		
S	T05-0153	M W	07/12/05	enr	R Y LIU	07/30/02						
T	T05-0208	M W	09/15/05	chr	R Y LIU	07/30/02						
U	T10-0007	J H	1/20/10	appd	JENN TSAO	07/30/02						
sheet index	revision sheet	U R T R R U U	1 2 3 4 5 6 7									

Tous droits strictement reserves. Reproduction ou communication a des tiers interdite sous quelque forme que ce soit sans autorisation écrite du propriétaire. Propriete de c FCI. Droits de reproduction FCI.

All rights strictly reserved. Reproduction or issue to third parties in any form whatever is not permitted without written authority from the proprietor. Property of FCI. Copyright FCI.



PRODUCT NO.  
10018783-X2XXXX



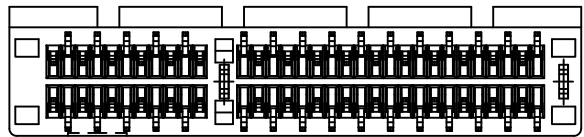
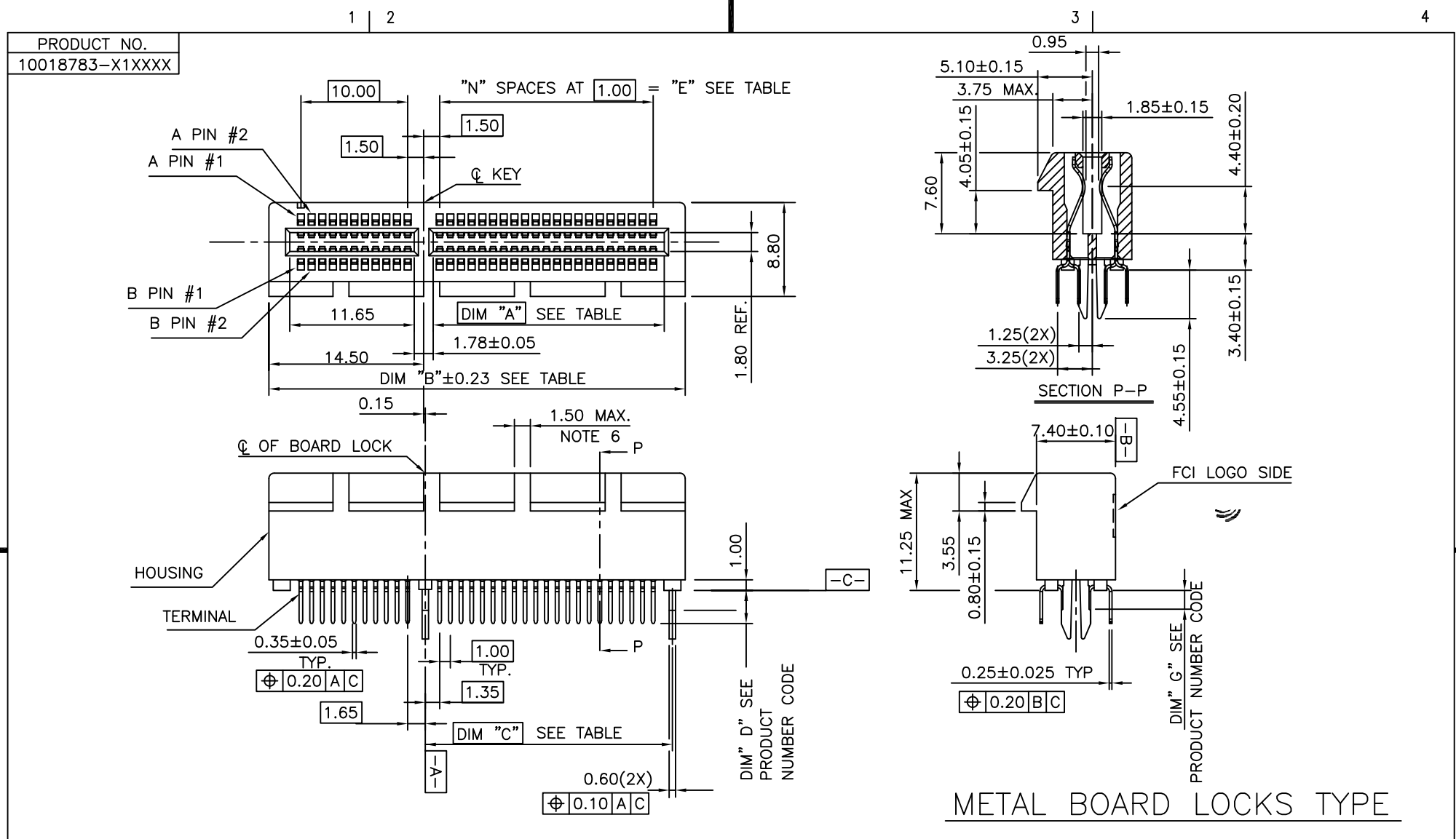
SINGLE PLASTIC PEG TYPE

mat'l. code				tolerances unless otherwise specified				CUSTOMER COPY		FCI www.fciconnect.com			
ltr	ecn no	dr	date	linear	.X ± 0.30		projection	title	PCI EXPRESS CARD EDGE ASSY				
R					.XX ± 0.20				MM	product family	EDGE CARD		code
					.XXX ± 0.10						scale	size	10018783
				angles	0° ±2°		2:1	A4					sheet
				dr	MAGGIE WU	07/30/02					2 of		
				enr	R Y LIU	07/30/02							
				chr	R Y LIU	07/30/02							
				appd	JENN TSAO	07/30/02							
sheet index	revision sheet												

Tous droits strictement reserves. Reproduction ou communication a des tiers interdite sous quelque forme que ce soit sans autorisation écrite du propriétaire. Propriete de c FCI. Droits de reproduction FCI.



All rights strictly reserved. Reproduction or issue to third parties in any form whatever is not permitted without written authority from the proprietor. Property of FCI. Copyright FCI.

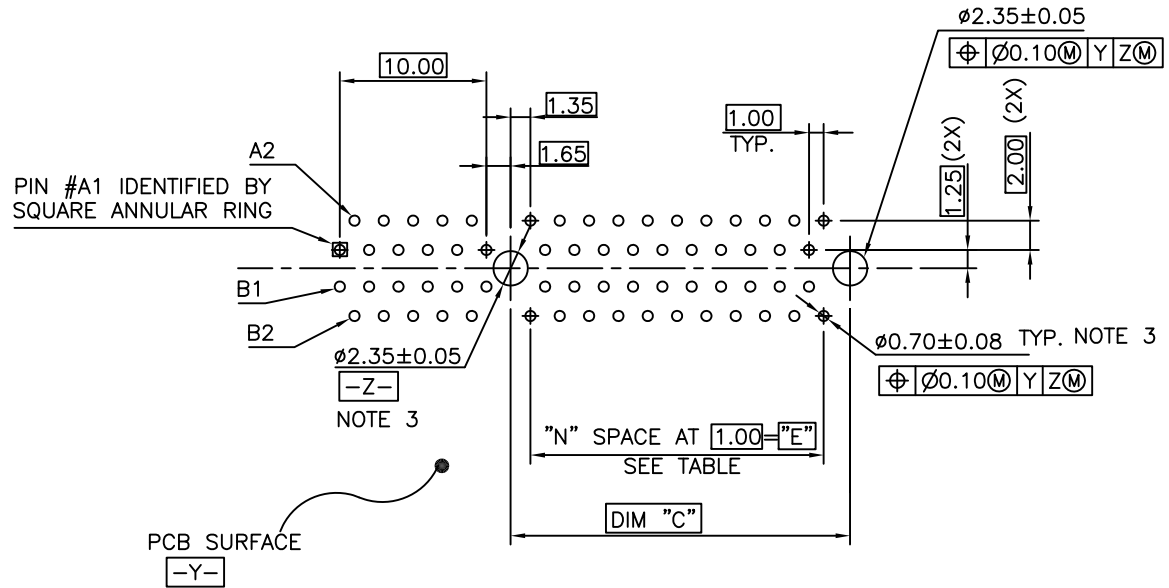


mat'l. code				tolerances unless otherwise specified			CUSTOMER COPY		FCI		www.fciconnect.com	
ltr	ecn no	dr	date	linear	.X ± 0.30	projection	title					
T					.XX ± 0.20		PCI EXPRESS CARD EDGE ASSY					
				angles	.XXX ± 0.10		MM	product family	EDGE CARD	code		
					0° ±2'	scale	size	dwg no	TWN			
				dr	MAGGIE WU 07/30/02	2:1	A4	10018783	sheet	3 of		
				enr	R Y LIU 07/30/02							
				chr	R Y LIU 07/30/02							
				appd	JENN TSAO 07/30/02							
sheet index	revision sheet											

Tous droits strictement reserves. Reproduction ou communication a des tiers interdite sous quelque forme que ce soit sans autorisation ecrite du proprietaire. Propriete de c FCI. Droits de reproduction FCI.



All rights strictly reserved. Reproduction or issue to third parties in any form whatever is not permitted without written authority from the proprietor. Property of FCI. Copyright FCI.



← I/O PANEL DIRECTION

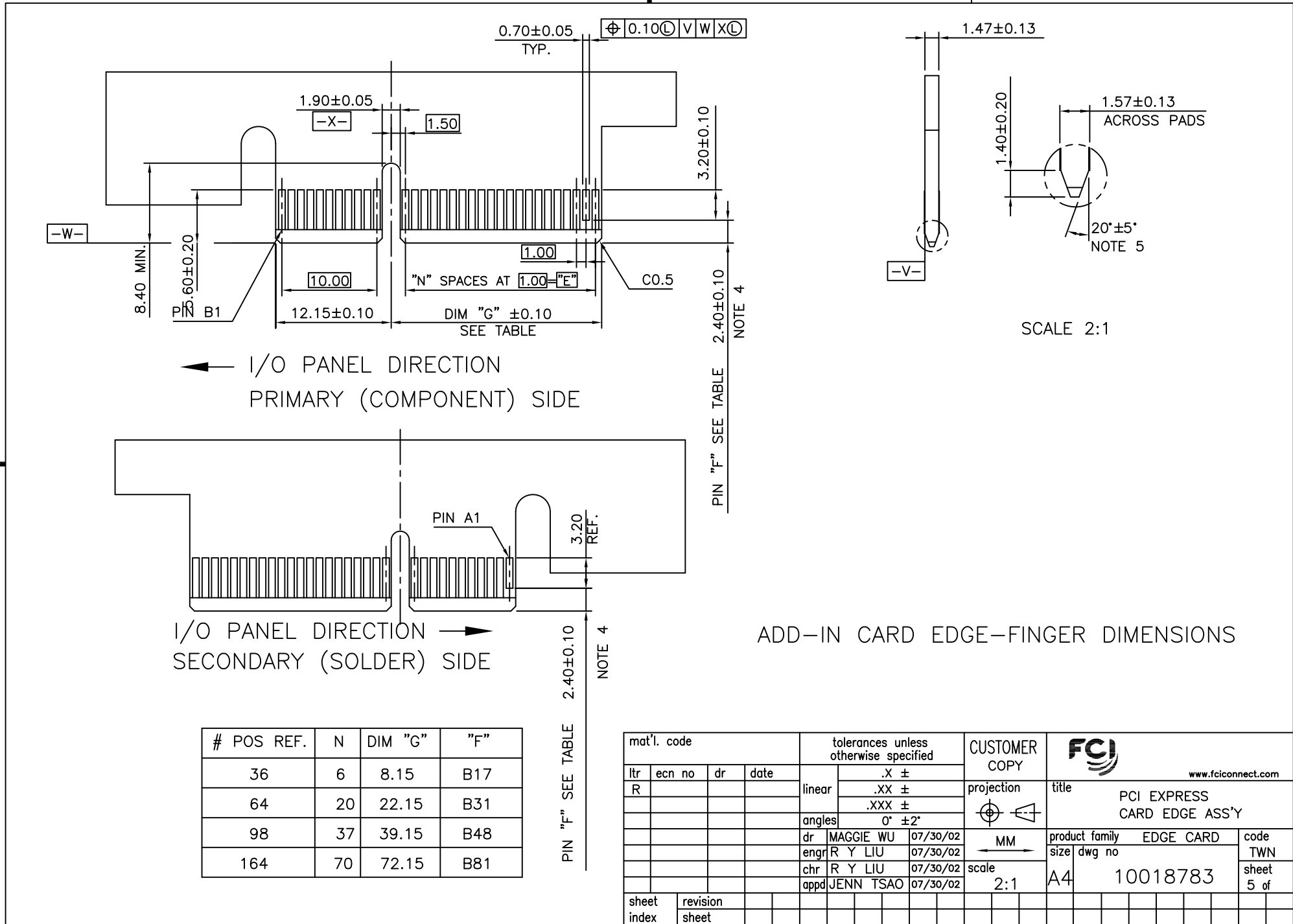
RECOMMENDED FOOTPRINT

mat'l. code				tolerances unless otherwise specified				CUSTOMER COPY		FCI www.fciconnect.com	
ltr	ecn no	dr	date	linear	.X ±		projection	title			
R					.XX ±			PCI EXPRESS CARD EDGE ASS'Y			
					.XXX ±						
				angles	0° ±2°		MM		product family		
				dr	MAGGIE WU	07/30/02	←		EDGE CARD		
				enr	R Y LIU	07/30/02	→		code		
				chr	R Y LIU	07/30/02	scale		size		
				appd	JENN TSAO	07/30/02	2:1		10018783		
sheet index	revision sheet										

Tous droits strictement reserves. Reproduction ou communication a des tiers interdite sous quelque forme que ce soit sans autorisation écrite du propriétaire. Propriete de c FCI. Droits de reproduction FCI.



All rights strictly reserved. Reproduction or issue to third parties in any form whatever is not permitted without written authority from the proprietor. Property of FCI. Copyright FCI.



I/O PANEL DIRECTION  
PRIMARY (COMPONENT) SIDE

I/O PANEL DIRECTION  
SECONDARY (SOLDER) SIDE

#	POS	REF.	N	DIM "G"	"F"
36	6		8.15	B17	
64	20		22.15	B31	
98	37		39.15	B48	
164	70		72.15	B81	

PIN "F" SEE TABLE 2.40±0.10  
NOTE 4

PIN "F" SEE TABLE 2.40±0.10  
NOTE 4

ADD-IN CARD EDGE-FINGER DIMENSIONS

mat'l. code				tolerances unless otherwise specified				CUSTOMER COPY		 www.fciconnect.com	
ltr	ecn no	dr	date	linear	.X ±		projection	title			
R					.XX ±			PCI EXPRESS CARD EDGE ASS'Y			
					.XXX ±						
				angles	0° ±2°						
		dr	MAGGIE WU	07/30/02			MM		product family EDGE CARD		code
		enr	R Y LIU	07/30/02					size dwg no		TWN
		chr	R Y LIU	07/30/02			scale		A4		10018783
		appd	JENN TSAO	07/30/02			2:1				sheet 5 of
sheet index	revision sheet										

NOTES:

1.MATERIAL:

HOUSING: HIGH TEMPERATURE NYLON, GLASS FILLED UL94V-0 RATED.  
TERMINAL: COPPER ALLOY.

PLATING: 50u" NICKEL UNDERPLATE ALL OVER  
CONTACT AREA PLATING - SEE PRODUCT NUMBER CODE  
SOLDER TAIL: TIN OR TIN /LEAD(90/10)- SEE PRODUCT NUMBER CODE 100u" MIN. OVER 50u" NICKEL.

METAL BOARD LOCKS: COPPER ALLOY.  
FINISH: 100u" TIN OR TIN/LEAD(90/10) OVER 50u" NICKEL UNDERPLATE SEE PRODUCT NUMBER CODE.

2.PRODUCT SPECIFICATION: GS-12-233.

③THE HORIZONTAL AXIS FOR THE HOLE PATTERN IS ESTABLISHED BY A LINE THROUGH THE CENTER OF THE TWO Ø2.35 HOLES. THE VERTICAL AXIS IS 90° TO THE HORIZONTAL AXIS, THROUGH THE CENTER OF DATUM Z.

④NO TIE BAR PERMITTED FROM CARD EDGE TO LEADING EDGE OF PAD FOR PINS A1 AND PIN NUMBERS "F".

⑤CHAMFER EDGES MUST BE FREE OF CUTTING BURRS.

⑥FREQUENCY & LOCATION AT SUPPLIER DISCRETION. RIDGE MAY BE CONTINUOUS WITH NO BREAKS.

7.RoHS COMPATIBLE PRODUCT SPECIFICATIONS:

a - PLATING:

- "LF" MEANS THE PRODUCT IS LEAD-FREE, 2um MINIMUM MATTE TIN OVER 1.27um MINIMUM NICKEL UNDERPLATE.

b - MANUFACTURING PROCESS COMPATIBILITY:

- THE HOUSING WILL WITHSTAND EXPOSURE TO 260°C±5°C TEMPERATURE FOR 10 SECONDS IN RE-FLOW APPLICATION, REFER TO GS-14-858 FOR OPERATING.

PRODUCT NUMBER CODE

10018783 -X X X X X X □ □

LEAD FREE OPTION

LEAVE BLANK FOR TERMINAL PLATING 3,4,5  
"LF" FOR TERMINAL PLATING OPTION 0,1,2

HOUSING COLOR OPTIONS

- 0-NATURAL
- 1-BLACK

PEGS OPTIONS

- 0-PLASTIC PEGS
- 1-METAL BOARD LOCKS
- 2-SINGLE PLASTIC PEGS

TERMINAL PLATING OPTIONS

- 0-50u" Ni UNDERPLATE  
30u" Au CONTACT AREA  
100u" TIN TAIL AREA ----- COMPATIBLE RoHS
- 1-50u" Ni UNDERPLATE  
15u" Au CONTACT AREA  
100u" TIN TAIL AREA ----- COMPATIBLE RoHS
- 2-50u" Ni UNDERPLATE  
GOLD FLASH CONTACT AREA  
100u" TIN TAIL AREA ----- COMPATIBLE RoHS
- 3-50u" Ni UNDERPLATE  
30u" Au CONTACT AREA  
100u" TIN/LEAD TAIL AREA ----- INCOMPLIANT RoHS
- 4-50u" Ni UNDERPLATE  
15u" Au CONTACT AREA  
100u" TIN/LEAD TAIL AREA ----- INCOMPLIANT RoHS
- 5-50u" Ni UNDERPLATE  
GOLD FLASH CONTACT AREA  
100u" TIN/LEAD TAIL AREA ----- INCOMPLIANT RoHS

POS OPTIONS

- 0-36
- 1-64
- 2-98
- 3-164


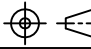
CONNECTOR	# POS REF.	N	DIM "A"	DIM "B"	DIM "C"	"E"
1 PORT	36	6	7.65	25.00	9.15	6.00
4 PORT	64	20	21.65	39.00	23.15	20.00
8 PORT	98	37	38.65	56.00	40.15	37.00
16 PORT	164	70	71.65	89.00	73.15	70.00

PACKAGING OPTIONS

- T-SOFT TRAY PACKAGING
- M-SOFT TRAY PACKAGING & MYLAR TAPE. SEE FIGULE 1
- Y-HARD TRAY PACKAGING (FOR 164P ONLY)
- Z-HARD TRAY PACKAGING WITH MYLAR (FOR 164P ONLY)

TAIL LENGTH OPTIONS

	DIM "D"	PCB THICKNESS	BOARD LOCKS DIM "G"
0	2.30 ±0.25	1.56±0.10	1.70±0.15
1	3.10 ±0.25	2.36±0.10	2.50±0.15
2	2.54±0.25	1.56±0.10	1.70±0.15
3	1.90±0.25	1.56±0.10	1.70±0.15

mat'l. code				tolerances unless otherwise specified		CUSTOMER COPY	 www.fciconnect.com		
ltr	ecn no	dr	date	linear	.X ± .XX ± .XXX ±	projection		title	
U				angles	0° ±2'		PCI EXPRESS CARD EDGE ASS'Y		
		dr	MAGGIE WU 07/30/02			MM	product family	EDGE CARD	code
		enr	R Y LIU 07/30/02				size	dwg no	TWN
		chr	R Y LIU 07/30/02			scale			sheet
		appd	JENN TSAO 07/30/02			1:1	A4	10018783	6 of
sheet index	revision sheet								

Tous droits strictement reserves. Reproduction ou communication a des tiers interdite sous quelque forme que ce soit sans autorisation écrite du propriétaire. Propriete de c FCI. Droits de reproduction FCI.



All rights strictly reserved. Reproduction or issue to third parties in any form whatever is not permitted without written authority from the proprietor. Property of FCI. Copyright FCI.

Tous droits strictement reserves. Reproduction ou communication a des tiers interdite sous quelque forme que ce soit sans autorisation écrite du propriétaire. Propriete de c FCI. Droits de reproduction FCI.



All rights strictly reserved. Reproduction or issue to third parties in any form whatever is not permitted without written authority from the proprietor. Property of FCI. Copyright FCI.

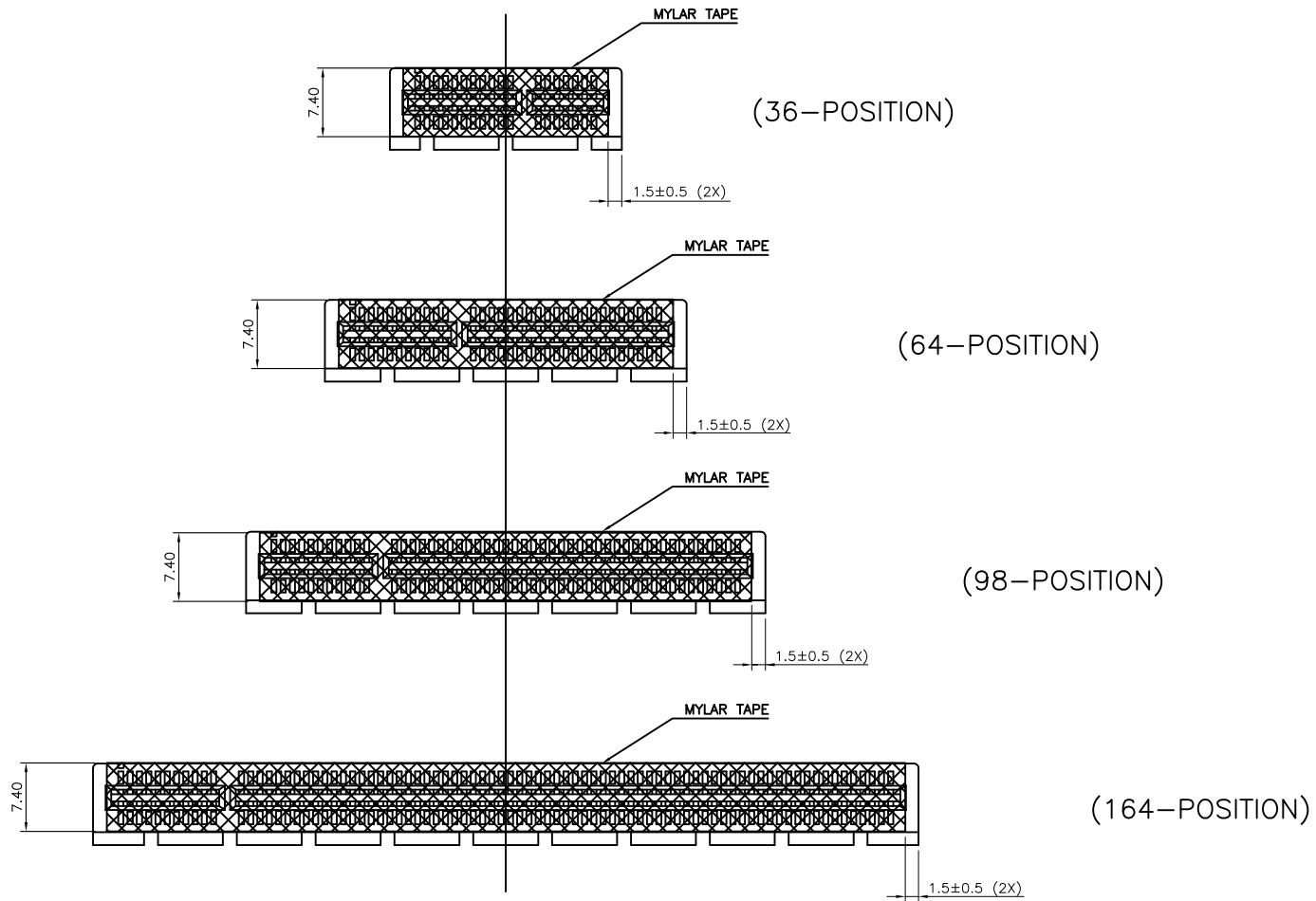


FIGURE 1

mat'l. code				tolerances unless otherwise specified			CUSTOMER COPY	www.fciconnect.com				
ltr	ecn no	dr	date	linear	.X ± 0.25		projection	title				
U					.XX ± 0.13				PCI EXPRESS CARD EDGE ASS'Y			
					.XXX ± 0.05					product family	EDGE CARD	code
					0° ± 2°					size	dwg no	TWN
				angles	0° ± 2°		MM	A4	10018783	sheet 7 of		
				dr	MAGGIE WU	06/07/05	scale	1.5:1				
				enr	R Y LIU	06/07/05						
				chr	R Y LIU	06/07/05						
				appd	JENN TSAO	06/07/05						
sheet index	revision sheet											