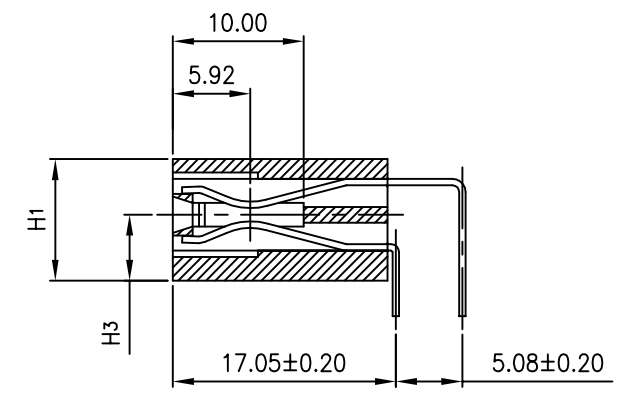
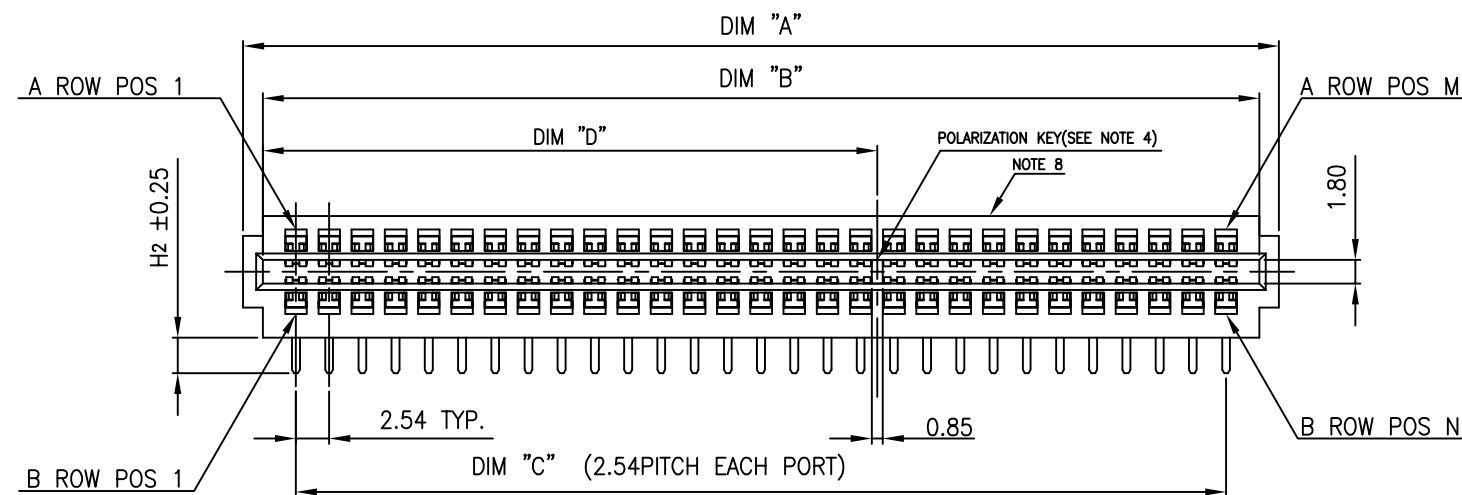
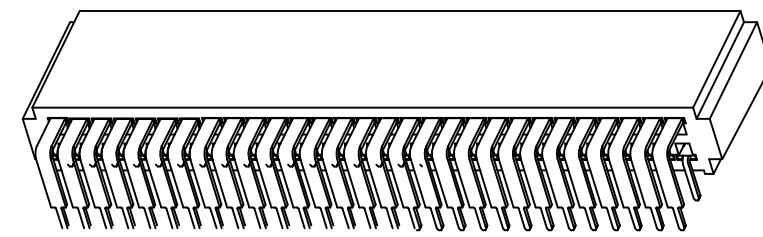
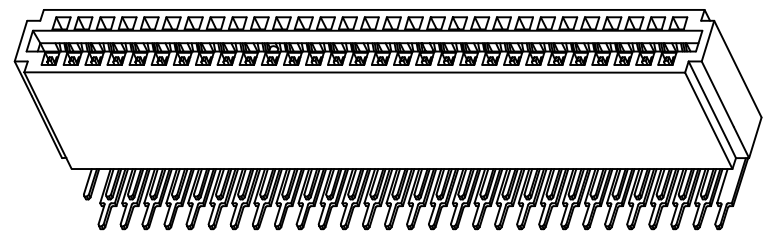
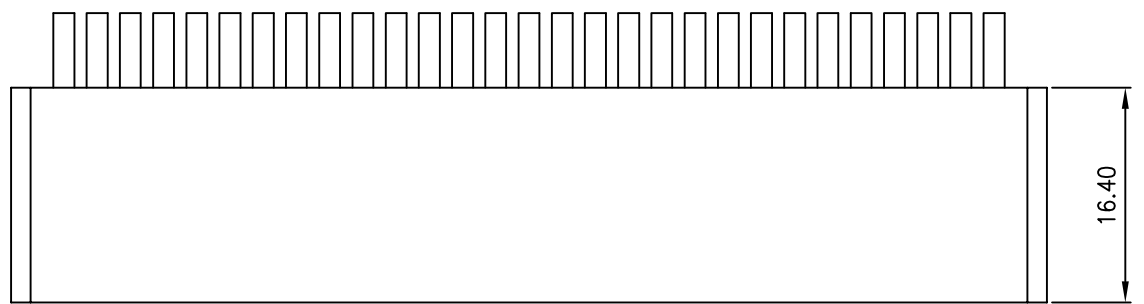




Copyright FCI.

PRODUCT NO.
10035388-XXX__
NOTE:5



- NOTE:
- MATERIAL:
HOUSING: HIGH TEMPERATURE THERMOPLASTIC, UL 94 V-0 RATED, BLACK.
TERMINAL: HIGH CONDUCTIVITY COPPER ALLOY.
 - PRODUCT SPECIFICATION: GS-12-259.
 - PACKAGE SPECIFICATION: GS-14-937.
 - THERE IS NO POLARIZATION KEY IN 10035388-102/103/104/105/106/202/203/205/500/700/800/802.
 - PLATING SPEC:
10035388-XXX:
POWER PIN: CONTACT AREA- 30u" GOLD OVER 50u" NICKEL UNDER PLATED.
SOLDER TAIL- 100u" TIN/LEAD OVER 50u" NICKEL UNDER PLATED
AC TERMINAL: 50u" NICKEL UNDER PLATED; 30u" GOLD ON CONTACT AREA
10035388-XXXLF:
POWER PIN: CONTACT AREA- 30u" GOLD OVER 50u" NICKEL UNDER PLATED.
SOLDER TAIL- 100u" PURE MATTE TIN OVER 50u" NICKEL UNDER PLATED
AC TERMINAL: 50u" NICKEL UNDER PLATED; 30u" GOLD ON CONTACT AREA
 - P/N 10035388-XXXLF MEETS EUROPEAN UNION DIRECTIVE AND OTHER COUNTRY REGULATIONS AS DESCRIBED IN GS-22-008.

- THE HOUSING WILL WITHSTAND EXPOSURE TO 260°C PEAK TEMPERATURE FOR 10 SECONDS IN A WAVE SOLDER APPLICATION WITH A CIRCUIT BOARD.
- MANUFACTURER'S NAME, P/N AND DATE CODE TO APPEAR ON THIS SURFACE AS PER GS-24-007.
- A Δ SYMBOL WILL BE NEXT TO ANY DIMENSION, VIEW, OR NOTE WHICH HAS BEEN MODIFIED WITH THE CURRENT DRAWING REVISION.

rev	ecn no	dr	date
T	DG10-0323	SM	2010-09-06
U	DG10-0334	WL	2010-09-20
V	DG10-0353	WL	2010-10-14
P	DG08-0337	JW	2008-12-04
R	DG09-0311	Junor	2009-09-18
S	DG10-0289	SM	2010-08-20

www.fciconnect.com			surface	tolerance std	projection	MM
			ANGULAR	0.X ± 0.25	A3	Scale NONE
			LINEAR	0.XX ± 0.15		
			0° ± 2°	0.XXX ± 0.10		
Dr	LH	2004-10-28	Product family POWER EDGE CARD			ECN DG10-0353
Eng	JULIA WANG	2004-10-28	Spec ref			
Chr	GARY HSIEH	2004-10-28	title POWER EDGE CARD CONNECTOR			dwg no 10035388
Appr	JOSEPH HSIA	2004-10-28	WITHOUT SIGNAL ASS'Y			Rev. V
			catalog no	CUSTOMER COPY	sheet 1 of 5	

REV F - 2006-04-17

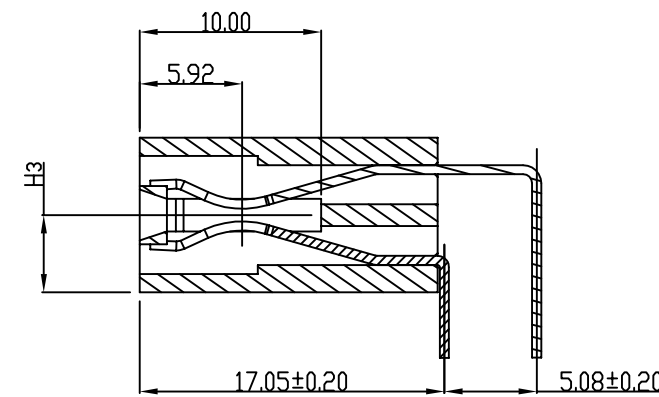
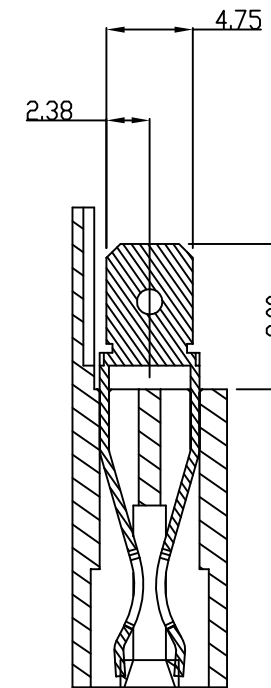
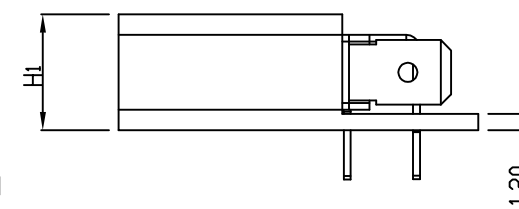
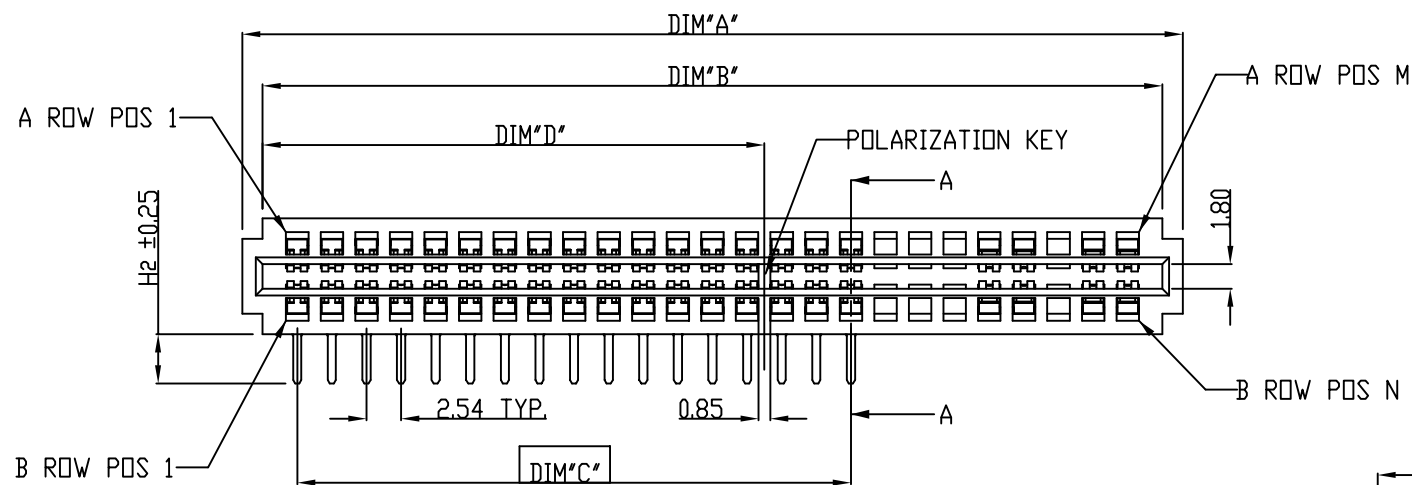
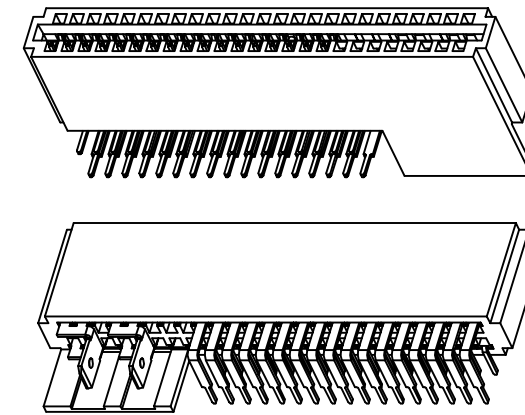
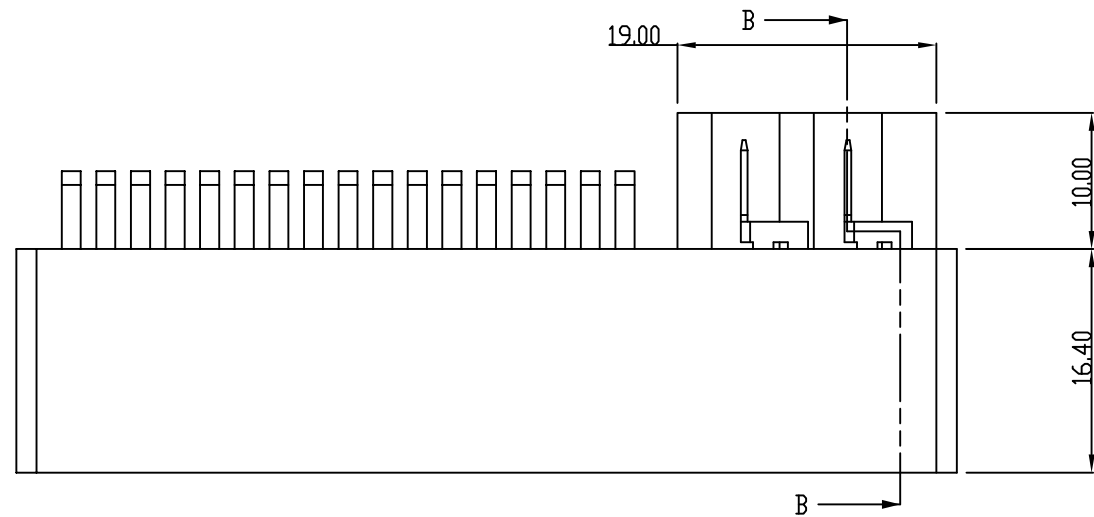
1

2

3

4

PRODUCT NO.
10035388-600__
NOTE:5



SECTION B-B
SCALE 2.000

SECTION A-A
SCALE 2.000

NOTE:
(APPLY TO 10035388-600__ AS ADDITIONAL)

9. THE EMPTY POSITIONS ARE 18, 19, 20, 23.
10. THERE ARE 2 AC TERMINALS.



Copyright FCI.

D

www.fciconnect.com			surface	tolerance std	projection	MM		
			TOLERANCES UNLESS OTHERWISE SPECIFIED					
Dr	LH	2004-10-28	ANGULAR	LINEAR	0.X ±	0.25	size A3	Scale NONE
Eng	JULIA WANG	2004-10-28			0.XX ±	0.15		
Chr	GARY HSIEH	2004-10-28			0° ± 2°	0.XXX ±		
Appr	JOSEPH HSIA	2004-10-28	Product family POWER EDGE CARD			Spec ref		
		title POWER EDGE CARD CONNECTOR WITHOUT SIGNAL ASS'Y			dwg no 10035388		Rev. V	
		catalog no			CUSTOMER COPY		sheet 2 of 5	

REV F - 2006-04-17

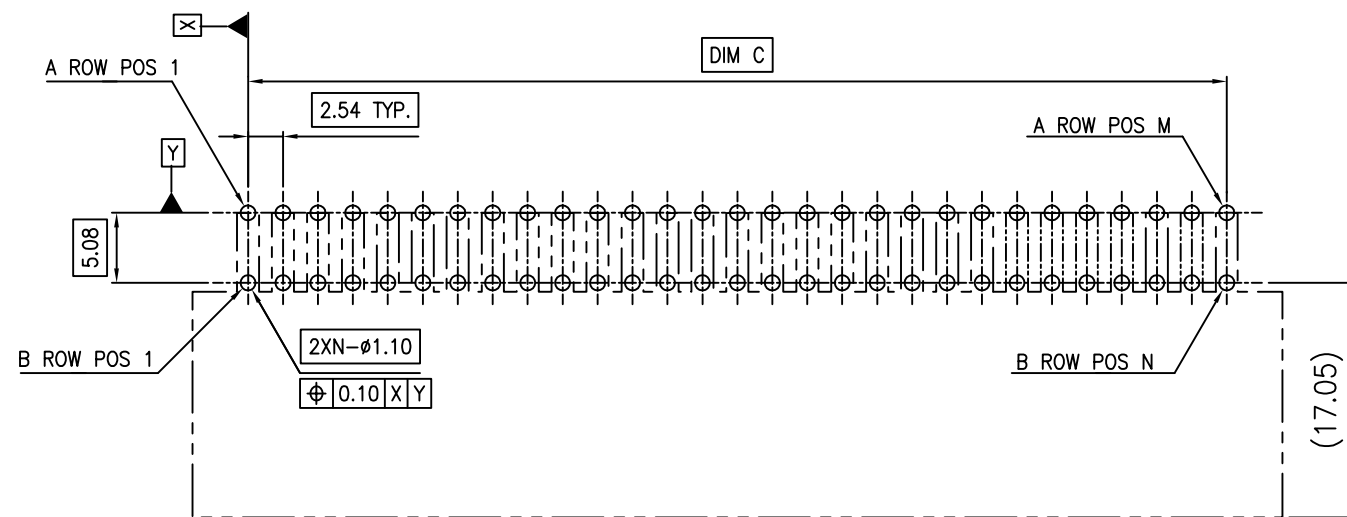
1

2

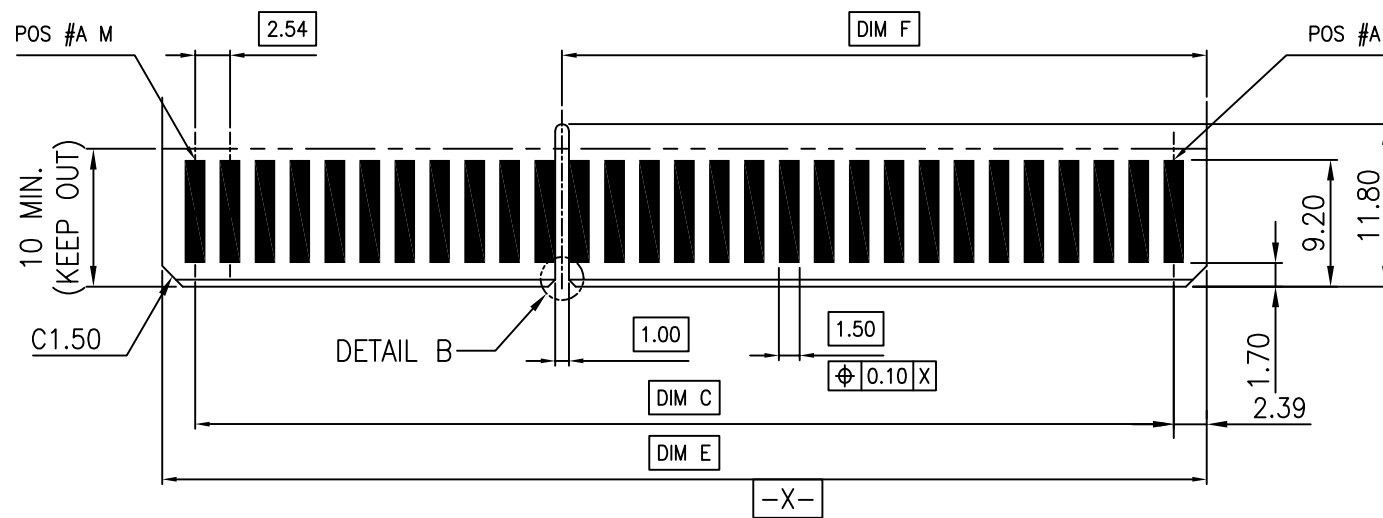
3

4

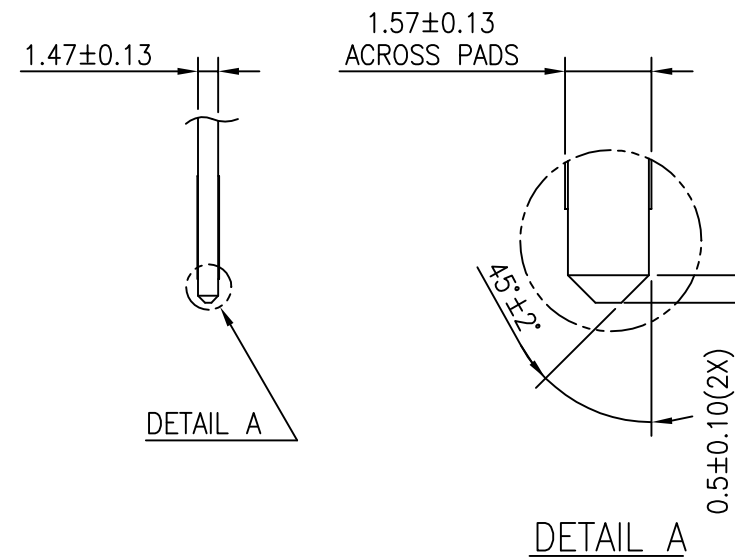
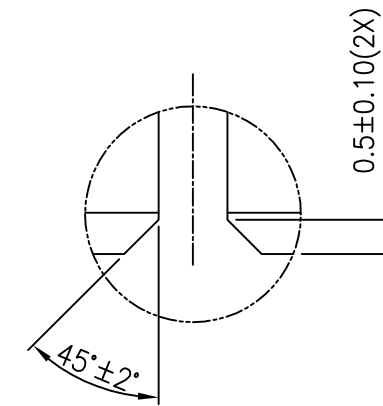
PRODUCT NO.
10035388-XXX__
NOTE:5



RECOMMENDED PCB LAYOUT



RECOMMENDED DAUGHTER CARD LAYOUT (TOP SIDE)



Copyright FCI.

www.fciconnect.com			surface	tolerance std	projection	MM		
			✓					
			TOLERANCES UNLESS OTHERWISE SPECIFIED					
Dr	LH	2004-10-28	ANGULAR	LINEAR	0.X ±	0.25	size A3	Scale NONE
Eng	JULIA WANG	2004-10-28			0.XX ±	0.15		
Chr	GARY HSIEH	2004-10-28			0° ± 2°	0.XXX ±		
Appr	JOSEPH HSIA	2004-10-28	Product family POWER EDGE CARD		Spec ref			
FCI			title POWER EDGE CARD CONNECTOR		dwg no 10035388		Rev. V	
			WITHOUT SIGNAL ASS'Y		CUSTOMER COPY		sheet 3 of 5	
			catalog no					

