

1

2

3

4

A

B

C

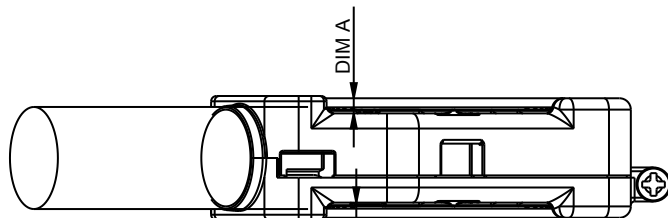
D

A

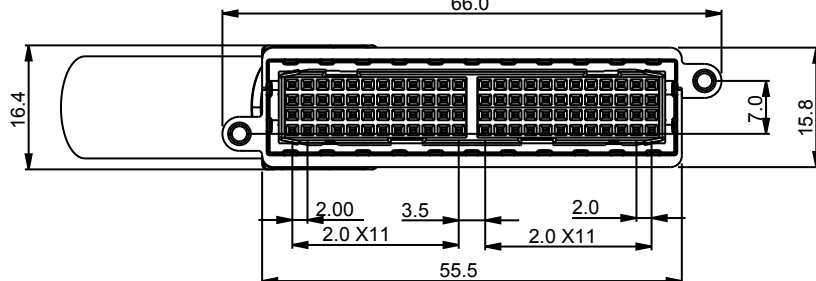
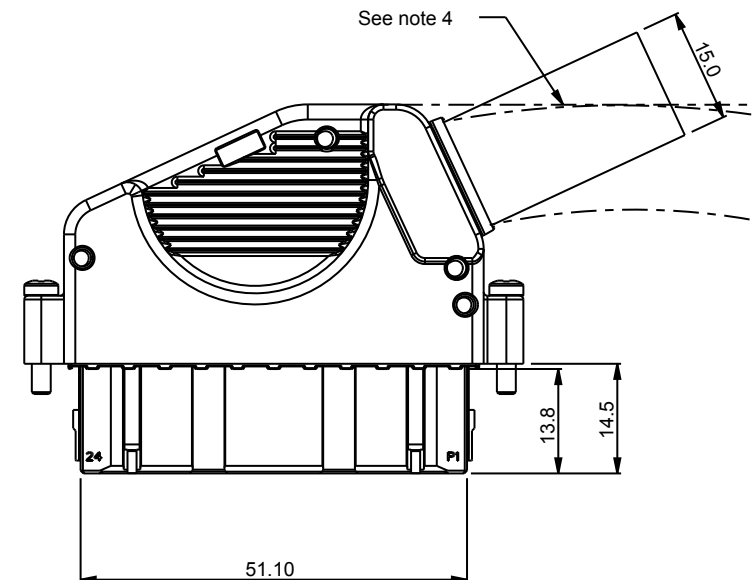
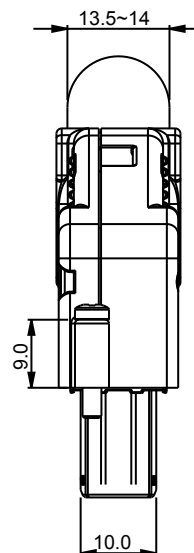
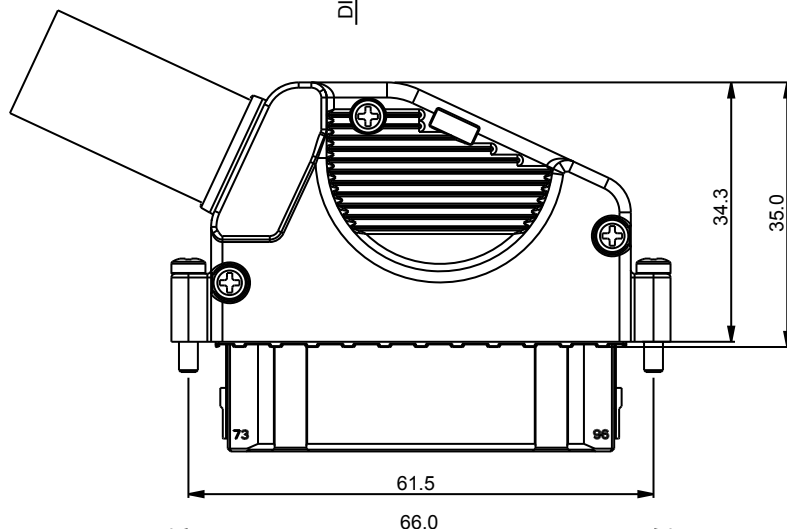
B

C

D



Cable KITS P/N	10087038-101LF	10087038-102LF	10087038-103LF	10087038-104LF
AWG Size	26	28 & 30	26	28 & 30
DIM A	2.00	2.00	0.30	0.30
DIM B	2.00	2.00	0.30	0.30



spec ref	*	dr	Junon Huang	2009/06/02	projection 	MM ←→	size	A4	scale	1.000
tolerance std	TOLERANCES UNLESS OTHERWISE SPECIFIED	eng	De-Feng Qin	2011/08/28			ecn no	ELX-DG-005300-2		
		chr	Abin Yu	2011/08/30			rel level	Released		
		appr	Pei-Ming Zheng	2011/08/30	product family	-				
surface	✓	 www.fci.com	title			dwg no	10087038	rev	C	
	linear		0.X	±0.3	96 Pos Cable Connector Kits					
			0.XX	±0.15						
			0.XXX	±0.05	cat. no.	-		Product - Customer Drw	sheet 1 of 2	
	angular		0°	±3°						

ProE File - REV C - 2009-06-09

1

2

3

4

PDS: Rev :C

STATUS:Released

Printed: Sep 02, 2011

FCI

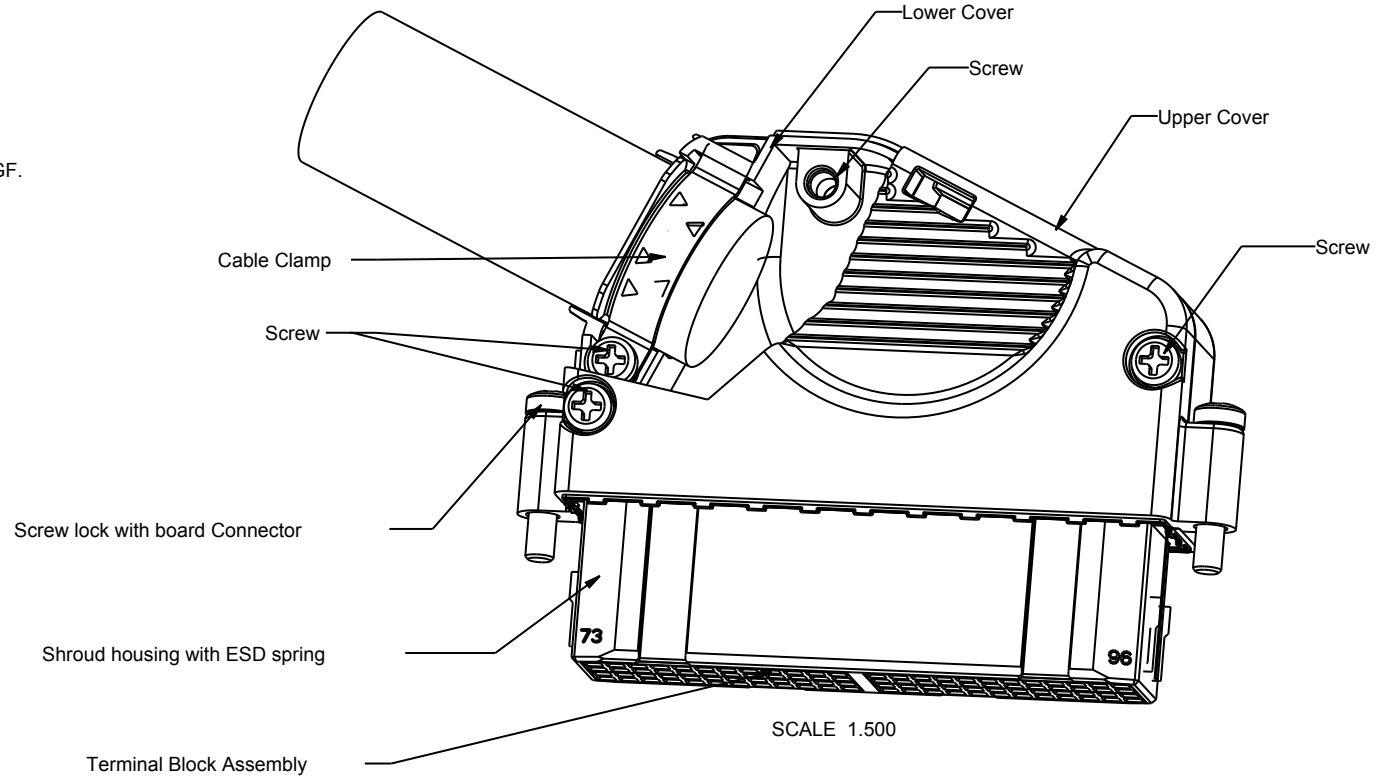
Copyright FCI.

BOM of cable kits 10087038

Components Name	Upper Cover	Lower cover	Shroud housing with ESD spring	Terminal Block Assembly	Cable Clamp	Screw lock with Board connector	Screw lock to cover & clamp
Q'TY/ Kits	1	1	1	4	1	2	4

Notes:

- This product meets europe union directives and other country regulations as described in GS-22-008.
- The product is not intended to be exposed to a manufacturing solder process.
- Material:
 Die casting cover: Zn alloy with Cu; Nickel & pure tin plating
 Shroud housing: Black PBT 30% GF.
 Terminal block housing: Black PBT 30% GF.
 Terminal: Copper alloy and performance according to Telcordia CO.
 ESD spring: Steel stainless.
 Screw: Steel stainless
- The cable must be flexible to be bent under the line as below draft shown after cable assembled.
- Product specification GS-12-562
 Application specification: GS-20-114
 Packaging specification: GS-14-1292



SCALE 1.500

spec ref	*			dr	Junon Huang	2009/06/02	projection 	MM 	size	A4	scale	1.000
tolerance std	TOLERANCES UNLESS OTHERWISE SPECIFIED			eng	De-Feng Qin	2011/08/28			ecn no	ELX-DG-005300-2		
				chr	Abin Yu	2011/08/30				rel level	Released	
surface 	linear	0.X	±0.3	FCI 	title	96 Pos Cable Connector Kits		dwg no	10087038		rev	C
		0.XX	±0.15			www.fci.com	cat. no.		-	Product - Customer Drw	sheet 2	of 2
		0.XXX	±0.05									
	angular	0°	±3°									

Plot File - REV C - 2009-06-09