

FCI CONFIDENTIAL



This document is the property of and embodies CONFIDENTIAL and PROPRIETARY information of FCI. No part of the information shown on this document may be used in any way or disclosed to others without the written consent of FCI. Copyright FCI.

PRODUCT NUMBER
20020006-XXX1B01LF

20020006- [] [] [] 1 B 0 1 L F

PITCH

G: 5.00 mm
H: 5.08 mm

POLES

02: 2 POLES
03: 3 POLES
04: 4 POLES

24: 24 POLES

PROPERTY TABLE		
FCI SERIES NAME	01-500	01-508
PITCH (mm)	5.00	5.08
VOLTAGE RATING (VAC)	300	300
CURRENT RATING (A)	12	12
SOLID/STRANDED WIRE (AWG)	12~24	12~24
WIRE CROSS SECTION (mm×mm)	4.0~0.2	4.0~0.2
WIRE STRIP LENGTH(mm)	7~8	7~8
TORQUE (N-m/Lb-in)	0.57/5.0	0.57/5.0
SCREW	M3	M3
WITHSTANDING VOLTAGE (kV)	1.6	1.6
OPERATING TEMP. (°C)	-40~115	-40~115
POLES AVAILABLE	02~24	02~24
SAFETY CERTIFICATE	Pending	

NOTES:

- MATERIALS
1-1 HOUSING: THERMALPLASTIC RESIN, UL 94V-0 RATED, COLOR GREEN.
1-2 SCREW: STEEL, ZINC PLATED.
1-3 CLAMP: BRASS, NICKEL PLATED.
1-4 TERMINAL: PHOSPHOROUS BRONZES, TIN PLATED.
- PRODUCT SPECIFICATION REFER TO FCI GS-12-625.
- BOX PACKAGING,
DETAILED PRODUCT PACKING SPECIFICATION REFER TO FCI GS-14-1394.
- FCI, SAFETY CERTIFICATE LOGO AND SERIES NAME TO BE SHOWN ON PRODUCT SURFACE.

TOLERANCES UNLESS OTHERWISE SPECIFIED					
	rev	ecn no	dr	date	
LINEAR	X	±0.5	-	-	-
	XX	±0.30	-	-	-
	XXX	±0.10	-	-	-
ANGULAR	X*	±1*	-	-	-

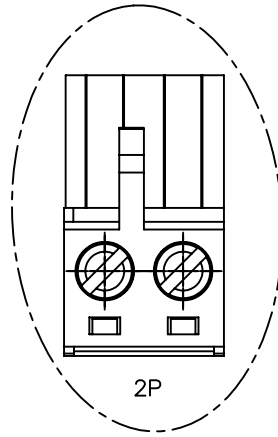
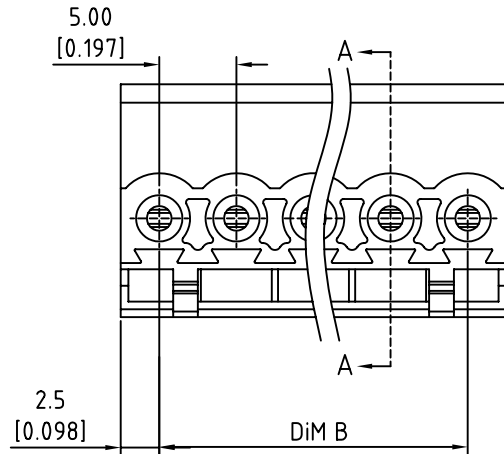
Material		Spec ref *	
Mat code		tolerance	projection
Heattreat		✓	⊕
Plating/Finish			MM
Dr	BEER FU	062509	size A4
Eng	BEER FU	062509	Scale
Chr	GARY HSIEH	062509	Product family
Appr	JOSEPH HSIA	062509	Model Name
			Model Revision
			ECN T09-1152
			REL Level RELEASED
FCI	title	no	Rev.
	TERMINAL BLOCK	20020006	C
	Pluggable plug, contact up side		
Pro/E file	catalog no	CUSTOMER	sheet 1 of 3

FCI CONFIDENTIAL



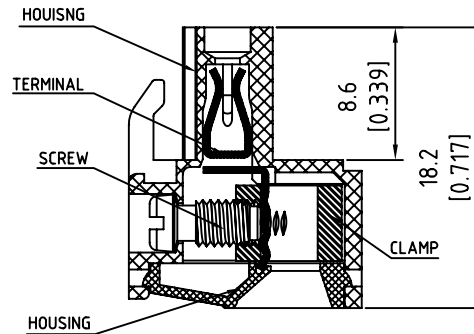
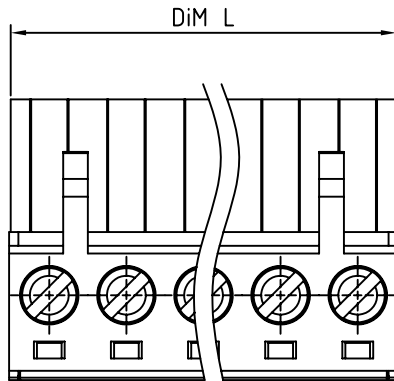
This document is the property of and embodies CONFIDENTIAL and PROPRIETARY information of FCI. No part of the information shown on this document may be used in any way or disclosed to others without the written consent of FCI. Copyright FCI.

PRODUCT NUMBER	SERIES NAME	PITCH
20020006-GXX1B01LF	01-500	5.00 mm

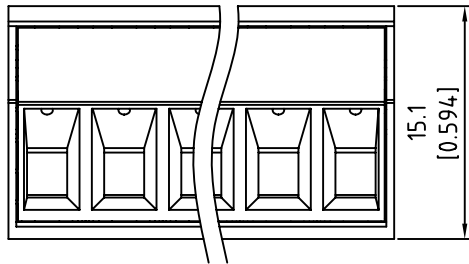


N = Number of poles
 Dim A = $N \times 5.0 [0.197]$
 Dim B = $(N-1) \times 5.0 [0.197]$

TOL.	Dim A	Dim B
2-5p	$\pm 0.15 [0.006]$	
6-10p	$\pm 0.20 [0.008]$	
11-15p	$\pm 0.25 [0.010]$	
16-20p	$\pm 0.30 [0.012]$	
21-24p	$\pm 0.40 [0.016]$	



SECTION A-A



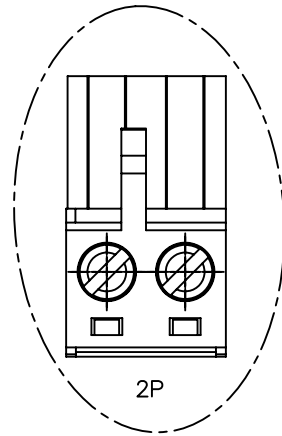
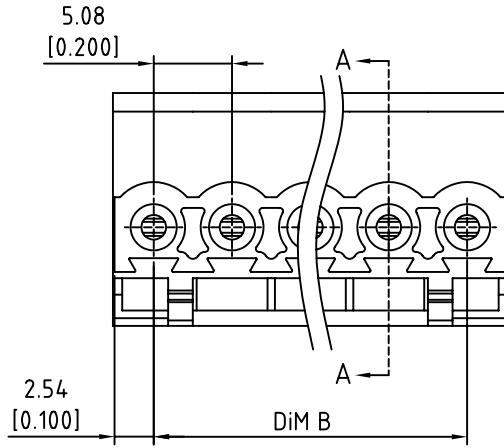
Material		Spec ref		
Mat code		tolerance	projection	MM
Heat treat				
Plating/Finish		size	A4	Scale
Dr	BEER FU 062509			
Eng	BEER FU 062509	Product family		
Chr	GARY HSIEH 062509	Model Name		ECN T09-1152
Appr	JOSEPH HSIA 062509	Model Revision		REL Level RELEASED
Pro/E file	catalog no	title		Rev. C
		TERMINAL BLOCK Pluggable plug, contact up side		
		chg no	20020006	
		CUSTOMER	sheet 2 of 3	

FCI CONFIDENTIAL



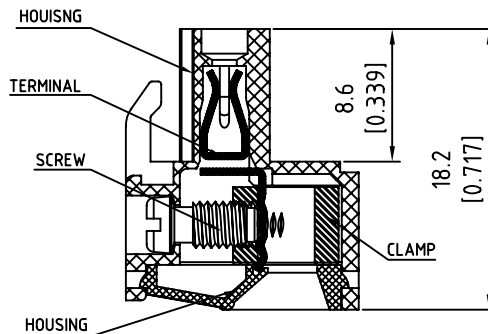
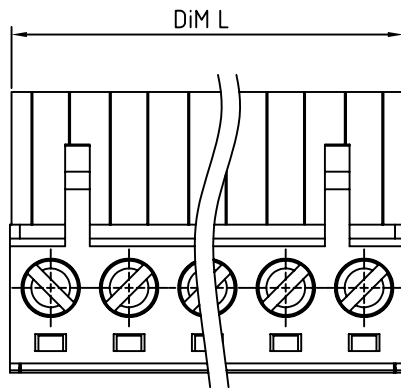
This document is the property of and embodies CONFIDENTIAL and PROPRIETARY information of FCI. No part of the information shown on this document may be used in any way or disclosed to others without the written consent of FCI. Copyright FCI.

PRODUCT NUMBER	SERIES NAME	PITCH
20020006-HXX1B01LF	01-508	5.08 mm

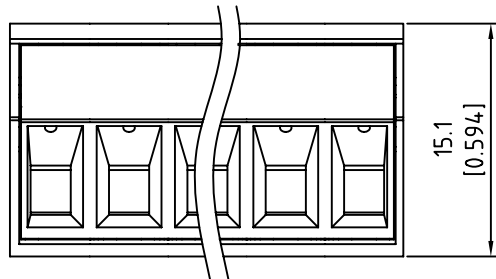


N = Number of poles
 Dim A = N x 5.08 [0.200]
 Dim B = (N-1) x 5.08 [0.200]

TOL.	Dim A	Dim B
2-5p	±0.15 [0.006]	
6-10p	±0.20 [0.008]	
11-15p	±0.25 [0.010]	
16-20p	±0.30 [0.012]	
21-24p	±0.40 [0.016]	



SECTION A-A



Material		Spec ref		
Mat code		tolerance	projection	MM
Heat treat				
Plating/Finish		size	A4	Scale
Dr	BEER FU 062509			
Eng	BEER FU 062509	Product family		
Chr	GARY HSIEH 062509	Model Name		ECN T09-1152
Appr	JOSEPH HSIA 062509	Model Revision		REL Level RELEASED
FCI	title		chng no	Rev.
	TERMINAL BLOCK			
Pro/E file	catalog no		CUSTOMER	sheet 3 of 3