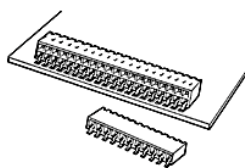


**71609-317LF - DUBOX™ : 34**  
**Position Horizontal Card**  
**Connector, Surface Mount,**  
**Double row**



[www.fci.com](http://www.fci.com)

### Mating Half

▶ 68020-134HLF

▶ 68021-134HLF

### Specifications

<b>General</b>	
Hold Down Style	No Locating Pegs
Number of contacts (per row)	17
Number of contacts (Total)	34
Number of rows	2
Orientation	Horizontal
Packaging	Tube
Mating half	Mates with 0.64 mm (0.025 in.) Square pins.
Series Number	71609
<b>Dimensional</b>	
Thickness (Board)	1.6 mm (0.062 in.) or 2.36 mm (0.093 in.)
Footprint (Board)	2.54 mm x 11.43 mm (0.1 in. x 0.45 in.)
<b>Electrical</b>	
Current rating	3A max. per Contact/2A max. per Contact for Full Load
Resistance (Contact)	15 milli ohms Initial, 20 milli ohms After test
Resistance (Insulation)	100000 M-ohms
Voltage rating	1000V rms
<b>Mechanical</b>	
Insertion force	1.50N (150 gf) per Contact
Withdrawal Force	0.3N (30 gf) min. per Contact
<b>Mounting</b>	
Solder process	Wave IR Vapor - Phase
<b>Physical</b>	
Color (Housing)	Grey
Material (Contact)	Phosphor Bronze

<b>Material (Housing)</b>	High Temperature Thermoplastic
<b>Plating (Contact area)</b>	0.76 $\mu\text{m}$ (30 $\mu\text{in.}$ ) Gold
<b>Plating (Tail)</b>	2.54 $\mu\text{m}$ (100 $\mu\text{in.}$ ) Tin
<b>Underplating (Contact)</b>	1.27 $\mu\text{m}$ (50 $\mu\text{in.}$ ) Nickel
<b>Flammability rating</b>	UL 94 V-0
<b>Temperature (Range)</b>	-65 °C to +125 °C
<b>Approvals / Certifications</b>	
<b>UL File Number</b>	E66906
<b>Approvals / Certifications</b>	UL and CSA Approved

PRODUCT NUMBER  
71609-YXXZLF

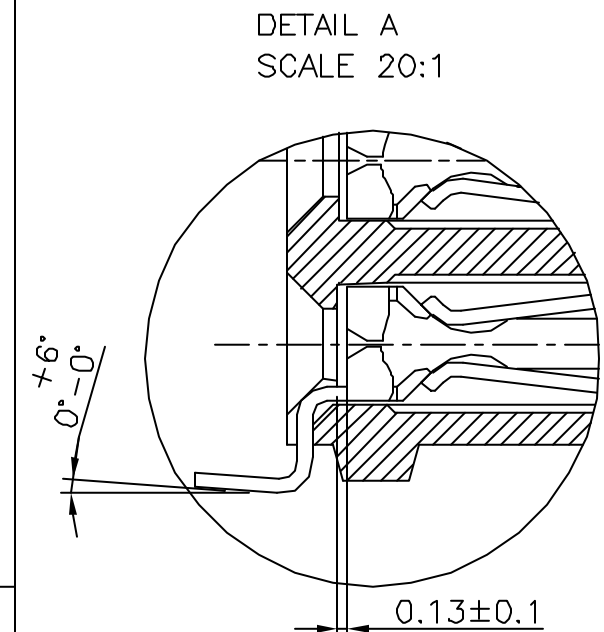
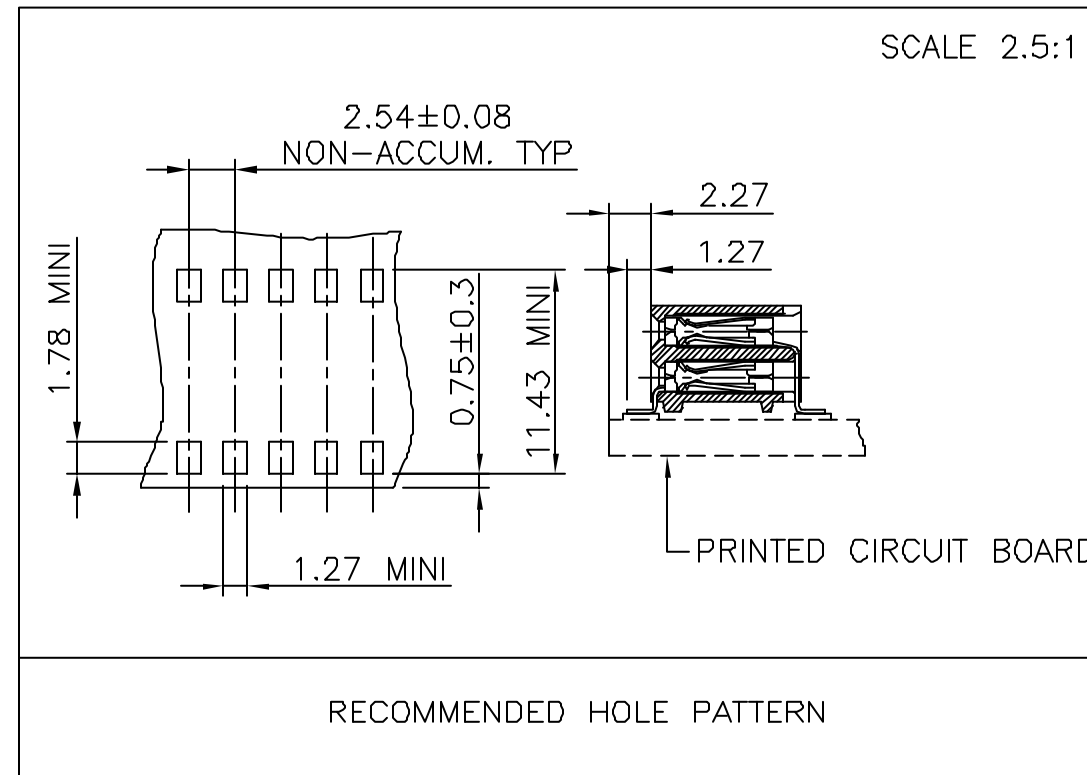
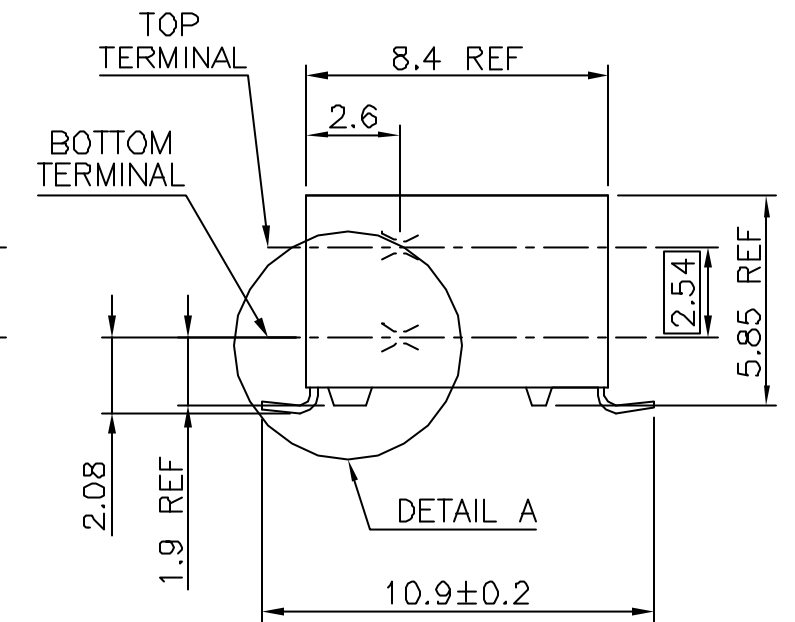
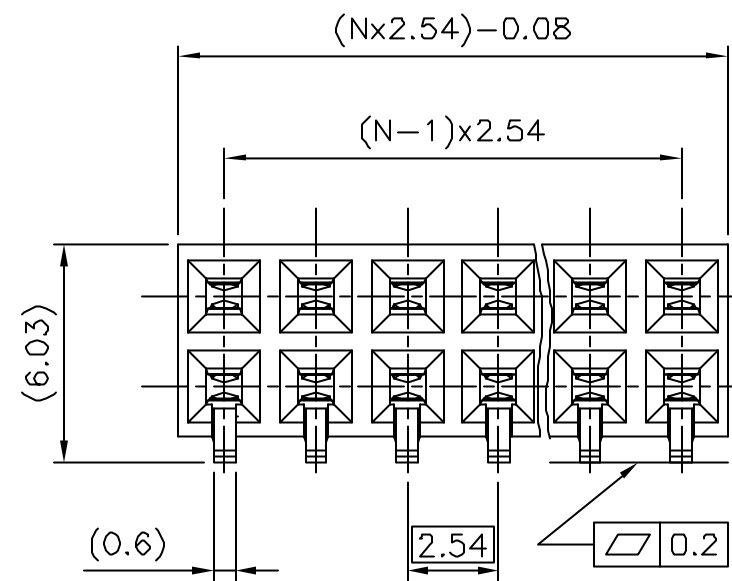
WHEN NEEDED, SUFFIX LETTER "LF"  
INDICATES THE PRODUCT IS RoHS  
COMPATIBLE, SEE NOTE 6  
OPTIONAL LETTER  
A: PRODUCT PACKED IN TAPE & REEL, SEE TA856.  
NUMBER OF POSITIONS PER ROW: 02 TO 40.

PLATING CODE  
3= 0.76µm GOLD ON CONTACT AREA.  
3.81µm TIN-LEAD ON TAIL.  
4= 5µm TIN-LEAD ON CONTACT AREA.  
3.81µm TIN-LEAD ON TAIL.  
8= 0.38µm GOLD ON CONTACT AREA.  
3.81µm TIN-LEAD ON TAIL.

WHEN SUFFIX "LF" IS REQUIRED, 2µm MIN MATTE  
TIN OVER 1.27 MIN Ni IS SUPPLIED INSTEAD OF SnPb.

NOTES:

- 1 - HOUSING MAT'L: THERMOPLASTIC GLASS FILLED  
FLAME RETARDANT PER UL 94 V-0 COLOR: GREY.
- 2 - TERMINAL MATERIAL: PHOSPHOR BRONZE.
- 3 - 2 UP TO 4 POSITIONS PRODUCT PACKED IN PLASTIC BOX.  
5 UP TO 40 POSITIONS PRODUCT PACKED IN TUBE.
- 4 - TO DETERMINE DIMENSIONS:  
N = NUMBER OF POSITIONS PER ROW  
EXAMPLE: 8 POS:  $(N \times 2.54) - 0.08 = 20.24$  mm
- 5 - RECOMMENDED IR PROFIL PER TA 842.
- 6 - RoHS COMPATIBLE PRODUCT SPECIFICATIONS
  - a - PLATING:
    - "LF" MEANS THE PRODUCT IS LEAD-FREE,  
2µm MINIMUM MATTE TIN OVER 1.27µm  
MINIMUM NICKEL UNDERPLATE.
  - b - MANUFACTURING PROCESS COMPATIBILITY
    - THE HOUSING WILL WITHSTAND EXPOSURE TO  
260°C PEAK TEMPERATURE FOR 30 SECONDS  
MAX IN A CONVECTION, INFRA-RED OR VAPOR  
PHASE OR REFLOW OVEN.
  - c - LABELING:
    - MEETS PACKAGING SPECS AS PER GS-14-920
  - d - LEGAL STATEMENT: SEE GS-22-008



mat'l. code SEE NOTE 1		surface ISO 1302 ✓		tolerance ISO 406 ISO 1101		projection mm		product family DUBOX	
ltr	ecn no	dr	date	tolerances unless otherwise specified		mm		title BtB RECEPT. HORIZ DR SMT	
W	F04-0347	DLE	04.11.08	angles	linear	scale 10:1		dwg no 71609	
X	F06-0204	DLE	06.06.10	±2°		FCI		sheet 1 of 1 size A3	
				dr	P.NIZZI	94.03.21		type CUSTOMER Drawing	
				enr	P. NIZZI	99.06.08			
				chr	JF NOTTEAU	97.05.13			
				appd	PNZ	99.06.08			
sheet index	revision sheet								