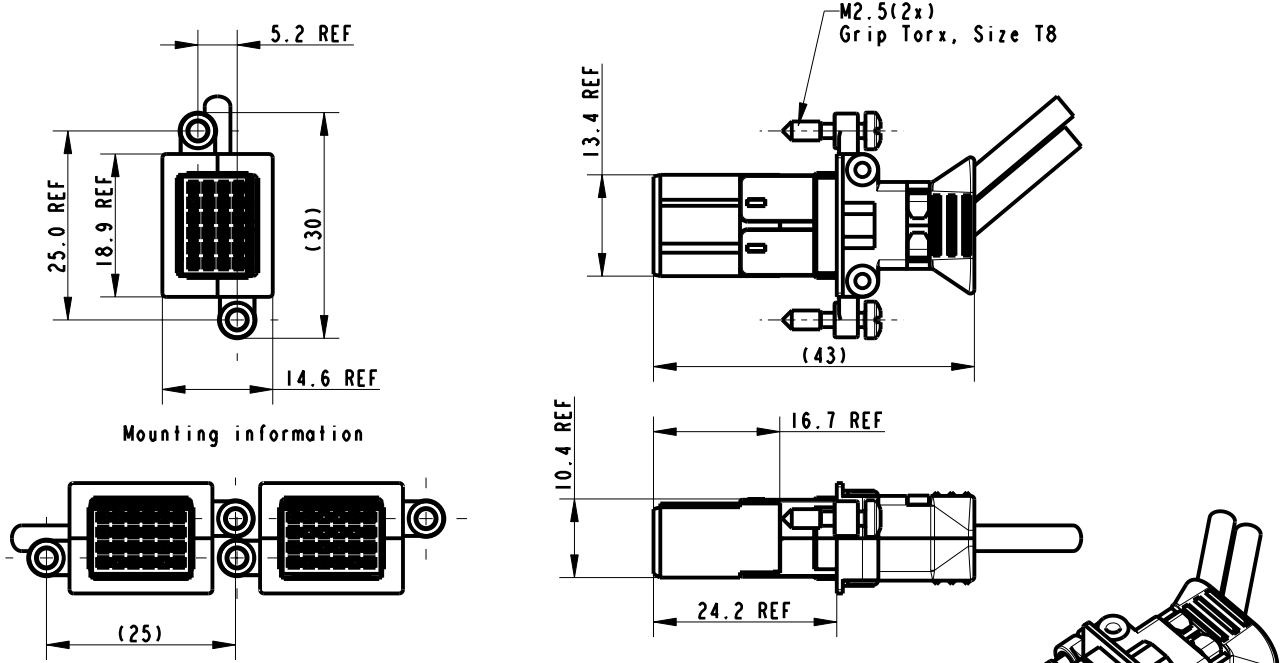


LEAD FREE PRODUCT NO.	Max. n.br. of cables
72817-X03LF	2
72817-X05LF	2
72817-X07LF *	2

(*) Note:
For 72817-X07LF: contacts A3, B4, C3, D4 are not connected.
Only for better mating force.



PRODUCT SPECIFICATION:GS-12-308
PACKAGING SPECIFICATION:EUR-14-008
APPLICATION SPECIFICATION:GS-20-053
NOTES:

- 1 BODY MATERIAL..... LIQUID CRYSTAL POLYMER 30% GLASS
FLAME RETARDANT ACC.UL 94-VO
- 2 COVER MATERIAL..... ZINC ALLOY
- 3 SPACING SLEEVE MATERIAL..... POLYPROPEN
- 4 TERMINAL MATERIAL..... TINBRONZE
- 5 CLAMP MATERIAL..... STAINLESS STEEL
- 6 CUP SPRING MATERIAL..... HARDENED STEEL, INNER Ø7
- 7 SCREW MATERIAL..... STEEL
- 8 RIVET MATERIAL..... BRASS
- 9 PRODUCT MARKING..... PARTNUMBER & MANUFACT. DATE

10-ROHS INFORMATIONS:
-This "LF" product meets European Union Directives and other country regulations as described in GS-22-008.
-This product is not intended to be exposed to a manufacturing solder process
-Packaging spec: See GS-14-920

rev	ecn no	dr	date
P	LS07-0285	JTA	2007/11/09
H	B30030	RRA	2003/01/04
J	B30045	RRA	2003/12/14
K	LS4129	JTA	2004/12/15
L	LS05-0102	JTA	2005/11/10
M	LS06-0084	LGO	2006/07/01
N	LS06-0143	LGO	2006/09/25

72817-X0XLF	
72817-10XLF	Standard Product
72817-20XLF	Customer Special



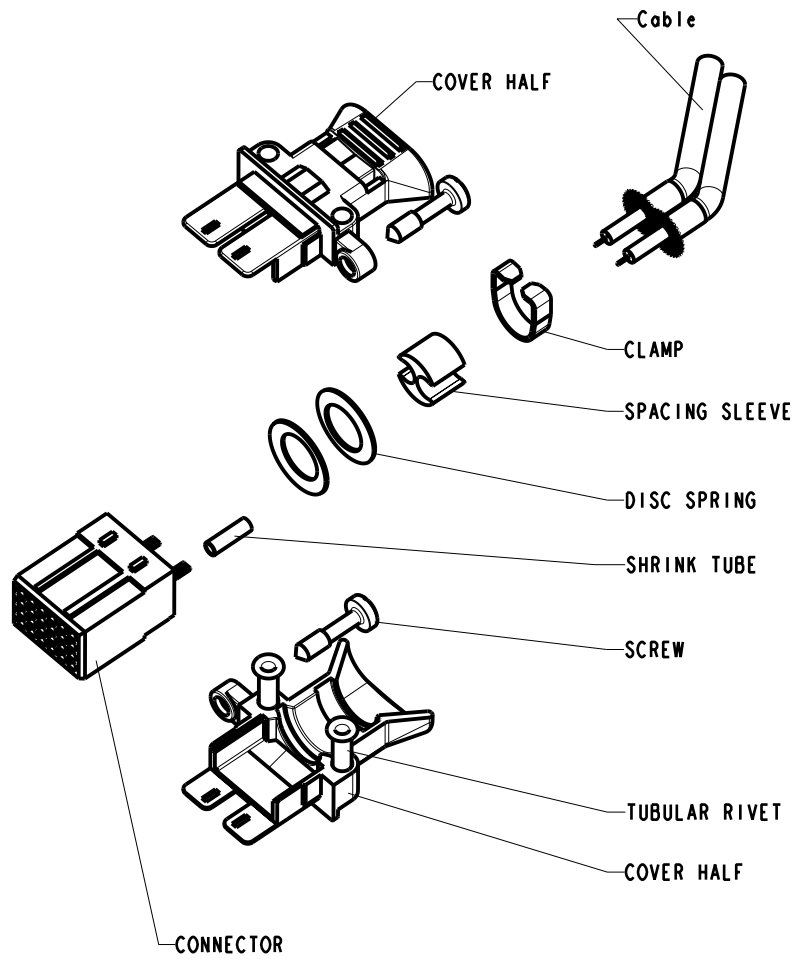
Copyright FCI.

www.fciconnect.com		surface 0.8 / ISO 1302		tolerance std / ISO 406 ISO 1101		projection	mm	
		TOLERANCES UNLESS OTHERWISE SPECIFIED						A4
Dr	Stroeykens	2002/06/30	ANGULAR	LINEAR	0.X	±0.3	size	
Eng	G.Nys	2002/06/30			0.XX	±0.1		
Chr	W.Panis	2002/06/30	0°	±2°	0.XXX	±0.05	ECN	
Appr	W.Panis	2002/06/30	Product family			SOFIX SHIELDED	Spec ref	
title		CONCEPT, CABLE CONNECTOR				72817_C		Rev.
catalog no		SEE TABLE		CUSTOMER COPY		sheet 1 of 8		
PSEUDO COAX SOLDERING						P		

REV F - 2006-04-17



Copyright FCI.



STANDARD VERSION SHOWN

www.fciconnect.com			surface 0.8 ISO 1302		tolerance std ISO 406 ISO 1101		projection 		mm 		
			TOLERANCES UNLESS OTHERWISE SPECIFIED								
Dr	Stroeykens	2002/06/30	ANGULAR	LINEAR	0.X	±0.3	size A4	ECN	LS07-0285		
Eng	G.Nys	2002/06/30			0.XX	±0.1			Spec ref	RELEASED	
Chr	W.Panis	2002/06/30			0° ±y°	0.XXX					±0.05
Appr	W.Panis	2002/06/30	Product family SOFIX SHIELDED								
		title CONCEPT, CABLE CONNECTOR PSEUDO COAX SOLDERING				dwg no 72817_C		Rev. P			
catalog no				SEE TABLE		CUSTOMER COPY		sheet 2 of 8			

REV F - 2006-04-17

PDM: Rev:P

STATUS: Released

Printed: Aug 01, 2010

LEAD FREE PRODUCTS:(see note 10)

Kit: 72817-X03LF
72817-X05LF
72817-X07LF



COMPONENTS	QTY
COVER HALF	1
TUBULAR RIVET	2
SCREW	2
DISC SPRING	2
CLAMP	1
CONNECTOR	1
SPACING SLEEVE	1
COVER HALF	1
SHRINK TUBE	1
CABLE	2



Copyright FCI.

www.fciconnect.com			surface 0.8 ISO 1302		tolerance std ISO 406 ISO 1101		projection 		mm 		
TOLERANCES UNLESS OTHERWISE SPECIFIED											
Dr	Stroeykens	2002/06/30	ANGULAR	LINEAR	0.X	±0.3	size A4	ECN LS07-0285	Spec ref RELEASED	Rev. P	
Eng	G.Nys	2002/06/30			0.XX	±0.1					
Chr	W.Panis	2002/06/30	0°	±y°	0.XXX	±0.05					
Appr	W.Panis	2002/06/30	Product family SOFIX SHIELEDDED								
			title CONCEPT, CABLE CONNECTOR PSEUDO COAX SOLDERING				dwg no 72817_C			Rev. P	
catalog no				SEE TABLE			CUSTOMER COPY		sheet 3 of 8		

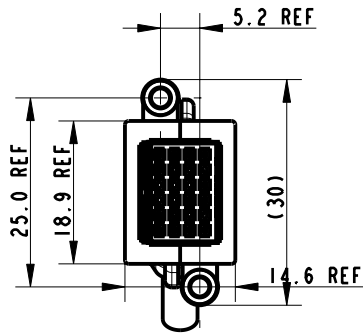
REV F - 2006-04-17

PDM: Rev:P

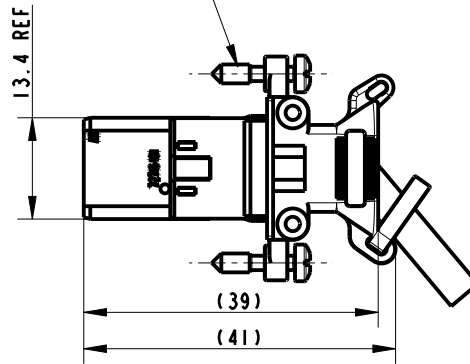
STATUS: Released

Printed: Aug 01, 2010

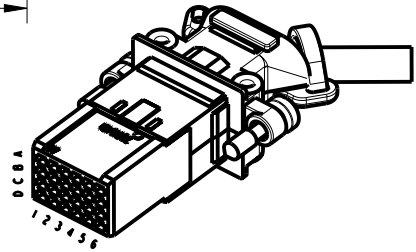
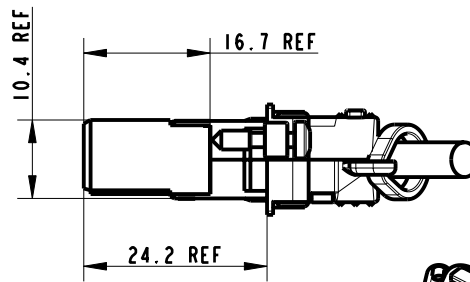
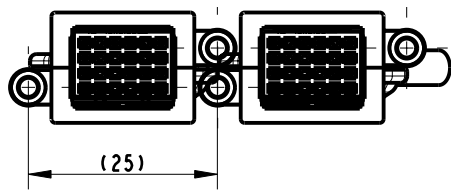
LEAD FREE PRODUCT NO.
72817-X04LF



M2.5(2x)
Grip Torx, Size T8



Mounting information



PRODUCT SPECIFICATION:GS-12-308
PACKAGING SPECIFICATION:EUR-14-008
APPLICATION SPECIFICATION:GS-20-053
NOTES:

- 1 BODY MATERIAL..... LIQUID CRYSTAL POLYMER 30% GLASS
FLAME RETARDENT ACC.UL 94-V0
- 2 COVER MATERIAL..... ZINC ALLOY
- 3 SPACING SLEEVE MATERIAL... POLYPROPEN
- 4 TERMINAL MATERIAL..... TINBRONZE
- 5 CLAMP MATERIAL..... STAINLESS STEEL
- 6 CUP SPRING MATERIAL..... HARDENED STEEL, INNER Ø7
SURFACE COATING..... Sn OVERALL, Ni AS BARRIER COATING
- 7 SCREW MATERIAL..... STEEL
- 8 RIVET MATERIAL..... BRASS
- 9 STRAP..... POLYAMIDE
- 10 PRODUCT MARKING..... PARTNUMBER & MANUFACT. DATE

II-ROHS INFORMATIONS:

- This "LF" product meets European Union Directives and other country regulations as described in GS-22-008.
- This product is not intended to be exposed to a manufacturing solder process
- Packaging spec: See GS-14-920

72817-X04LF

72817-104LF	Standard Product
72817-204LF	Customer Special



www.fciconnect.com

surface 0.8
ISO 1302 ✓

tolerance std
ISO 406 ISO 1101

projection

mm

TOLERANCES UNLESS OTHERWISE SPECIFIED

Dr	Stroeykens	2002/06/30	ANGULAR	LINEAR	0.X	±0.3	size A4	Scale 1:1
Eng	G.Nys	2002/06/30			0.XX	±0.1		
Chr	W.Panis	2002/06/30	0°	±γ°	0.XXX	±0.05	ECN	LS07-0285
Appr	W.Panis	2002/06/30	Product family			SOFIX SHIELED	Spec ref	RELEASED



title
CONCEPT, CABLE CONNECTOR
PSEUDO COAX SOLDERING

dwg no

72817_C

Rev.

P

catalog no

SEE TABLE

CUSTOMER COPY

sheet 4 of 8

REV F - 2006-04-17

PDM: Rev:P

STATUS: Released

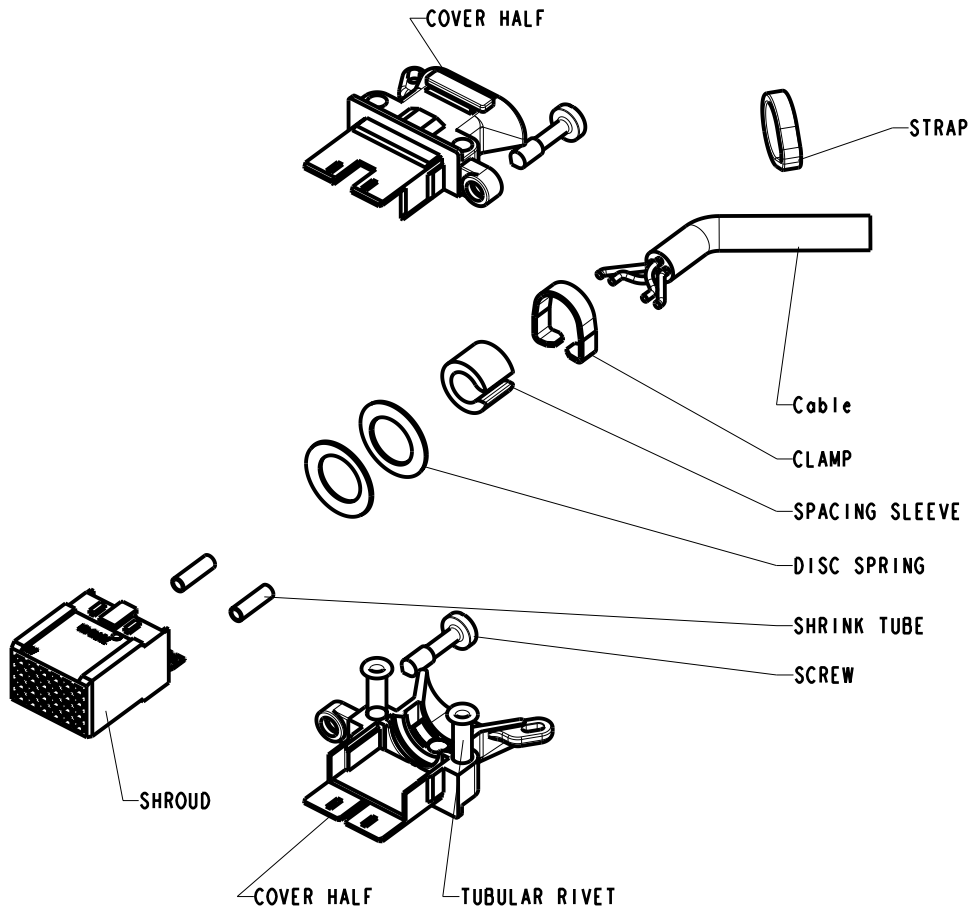
Printed: Aug 01, 2010



Copyright FCI.



Copyright FCI.



STANDARD VERSION SHOWN

www.fciconnect.com			surface 0.8 ISO 1302		tolerance std ISO 406 ISO 1101		projection 		mm 	
			TOLERANCES UNLESS OTHERWISE SPECIFIED							
Dr	Stroeykens	2002/06/30	ANGULAR	LINEAR	0.X	±0.3	size A4	ECN	LS07-0285	
Eng	G.Nys	2002/06/30			0.XX	±0.1			Scale 1:1	
Chr	W.Panis	2002/06/30			0° ±y°	0.XXX				±0.05
Appr	W.Panis	2002/06/30	Product family SOFIX SHIELDED				Spec ref		RELEASED	
		title CONCEPT, CABLE CONNECTOR PSEUDO COAX SOLDERING				dwg no 72817_C		Rev. P		
catalog no				SEE TABLE		CUSTOMER COPY		sheet 5 of 8		

REV F - 2006-04-17

PDM: Rev:P

STATUS: Released

Printed: Aug 01, 2010

LEAD-FREE PRODUCTS: (see note 11)

72817-X04LF	
COMPONENTS	QTY
CONNECTOR	1
SPACING SLEEVE	1
SHRINK TUBE	2
TUBULAR RIVET	2
SCREW	2
DISC SPRING	2
CLAMP	1
STRAP	1
COVER HALF	1
COVER HALF	1
CABLE	1



Copyright FCI.

www.fciconnect.com			surface 0.8 ISO 1302		tolerance std ISO 406 ISO 1101		projection 		mm 		
TOLERANCES UNLESS OTHERWISE SPECIFIED											
Dr	Stroeykens	2002/06/30	ANGULAR	LINEAR	0.X	±0.3	size A4	ECN LS07-0285	Scale 1:1	Product family SOFIX SHIELDED	Spec ref RELEASED
Eng	G.Nys	2002/06/30			0.XX	±0.1					
Chr	W.Panis	2002/06/30	0°	±y°	0.XXX	±0.05					
Appr	W.Panis	2002/06/30									
		title CONCEPT, CABLE CONNECTOR PSEUDO COAX SOLDERING				dwg no 72817_C			Rev. P		
catalog no				SEE TABLE		CUSTOMER COPY		sheet 6 of 8			

REV F - 2006-04-17

PDM: Rev:P

STATUS: Released

Printed: Aug 01, 2010

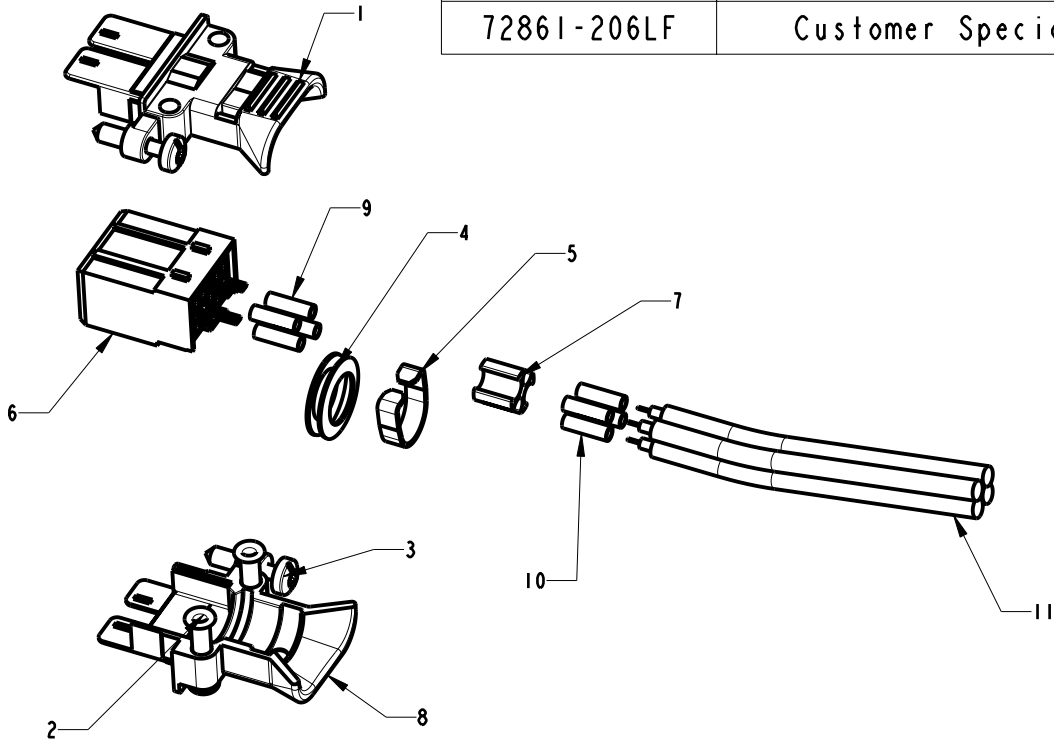
LEAD FREE PRODUCT NO.
72817-X06LF *



* Note:
Contact B1 and C6 are not connected.
Only for better mating force.



72817-X06LF	
72817-106LF	Standard Product
72861-206LF	Customer Special



PRODUCT SPECIFICATION:GS-12-308
PACKAGING SPECIFICATION:EUR-14-008
APPLICATION SPECIFICATION:GS-20-053

NOTES:

- 1 BODY MATERIAL.....LIQUID CRYSTAL POLYMER 30% GLASS
FLAME RETARDENT ACC.UL 94-V0
- 2 COVER MATERIAL.....ZINC ALLOY
- 3 SPACING SLEEVE MATERIAL...POLYPROPEN
- 4 TERMINAL MATERIAL.....TINBRONZE
- 5 CLAMP MATERIAL.....STAINLESS STEEL
- 6 CUP SPRING MATERIAL.....HARDENED STEEL, INNER Ø7
SURFACE COATING.....Sn OVERALL,Ni AS BARRIER COATING
- 7 SCREW MATERIAL.....STEEL
- 8 RIVET MATERIAL.....BRASS
- 9 STRAP.....POLYAMIDE
- 10 PRODUCTMARKING.....PARTNUMBER & MANUFACT.DATE

11-ROHS INFORMATIONS:

- This "LF" product meets European Union Directives and other country regulations as described in GS-22-008.
- This product is not intended to be exposed to a manufacturing solder process
- Packaging spec: See GS-14-920



Copyright FCI.

www.fciconnect.com			surface 0.8 ✓ ISO 1302		tolerance std ISO 406 ISO 1101		projection 		mm 	
			TOLERANCES UNLESS OTHERWISE SPECIFIED						size A4	
Dr	Stroeykens	2002/06/30	ANGULAR	LINEAR	0.X	±0.3	ECN		LS07-0285	
Eng	G.Nys	2002/06/30			0.XX	±0.1				
Chr	W.Panis	2002/06/30	0°	±γ°	0.XXX	±0.05	Spec ref		RELEASED	
Appr	W.Panis	2002/06/30	Product familySOFIX SHIELEDDED							
			title CONCEPT, CABLE CONNECTOR PSEUDO COAX SOLDERING				dwg no 72817_C		Rev. P	
catalog no			SEE TABLE		CUSTOMER COPY		sheet 7 of 8			

REV F - 2006-04-17

PDM: Rev:P

STATUS:Released

Printed: Aug 01, 2010

LEAD-FREE PRODUCTS:(see note 11)

Kit: 72817-X06LF



COMPONENTS	QTY
COVER HALF	1
TUBULAR RIVET	2
SCREW	2
DISC SPRING	2
CLAMP	1
CONNECTOR	1
SPACING SLEEVE	1
COVER HALF	1
SHRINK TUBE	4
SHRINK TUBE	4
CABLE	4

Dimension with oval around are critical dimensions including any attached geometrical tolerance. Other features or stand-alone geometrical tolerances being critical have a note "CRITICAL FEATURE" below the item
 A symbol \triangle_x (x: drawing current revision) will be next to any dimension, view or note which has been modified with the current drawing revision



Copyright FCI.

www.fciconnect.com			surface 0.8 ISO 1302		tolerance std ISO 406 ISO 1101		projection 		mm 		
TOLERANCES UNLESS OTHERWISE SPECIFIED											
Dr	Stroeykens	2002/06/30	ANGULAR	LINEAR	0.X	±0.3	size A4	ECN LS07-0285	Spec ref RELEASED	Rev. P	
Eng	G.Nys	2002/06/30			0.XX	±0.1					
Chr	W.Panis	2002/06/30	0°	±y°	0.XXX	±0.05					
Appr	W.Panis	2002/06/30	Product family SOFIX SHIELDED								
			title CONCEPT, CABLE CONNECTOR PSEUDO COAX SOLDERING				dwg no 72817_C				
catalog no				SEE TABLE			CUSTOMER COPY		sheet 8 of 8		

REV F - 2006-04-17