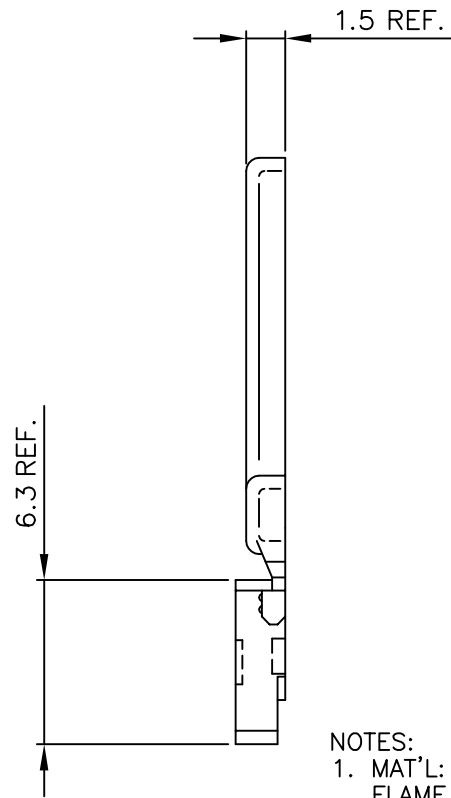
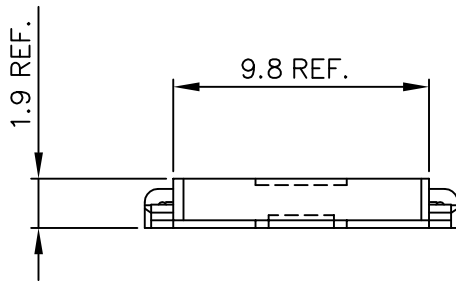
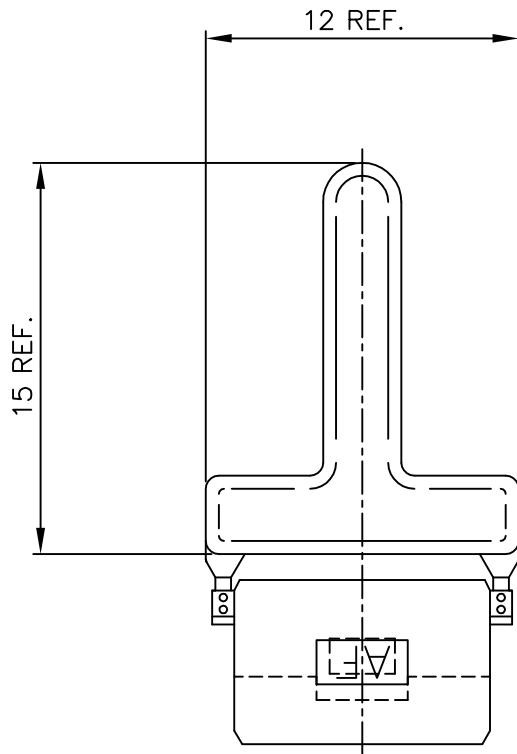


PRODUCT NUMBER 91210-101LF



NOTES:

- MAT'L: LIQUID CRYSTAL POLYMER.
FLAME RETARDANT ACC. UL 94-V0,
30% GLASS FILLED, COLOR-GREEN.
- THIS PRODUCT WITH "LF" SUFFIX MEETS EUROPEAN
UNION DIRECTIVES AND OTHER COUNTRY REGULATIONS AS
DESCRIBED IN GS -22-008.
- THE PRODUCT IS NOT INTENDED TO BE EXPOSED TO A
MANUFACTURING SOLDER PROCESS.

mat'l. code SEE NOTE 1		tolerances unless otherwise specified		CUSTOMER COPY		ELECTRONICS www.fciconnect.com	
ltr	ecn no	dr	date			projection	title
A	V31645	SCS	930830	linear			BLOCKING KEY RECEPTACLE
B	V41309	RDO	940729				
C	H40388	RVI	940810	angles			product family CENTRAL (tm)
D	H40583	DDB	940916	dr	D. de Bil		
E	0605-0383	CLu	051011	engr	E. Feijen	940729	213
				chr	G.S. Lee	940609	sheet
				app	G.S. Lee	940609	1 of 1
sheet index	revision	E				scale	
	sheet	1				5:1	
						A3	91210

All rights strictly reserved. Reproduction or issue to third parties in any form, without written authority from the proprietor. Property of FCI b.v. © FCI b.v.

Tous droits strictement réservés. Reproduction ou communication à des tiers interdite sous quelque forme que ce soit sans autorisation écrite du propriétaire. Propriété de FCI b.v. © FCI b.v.