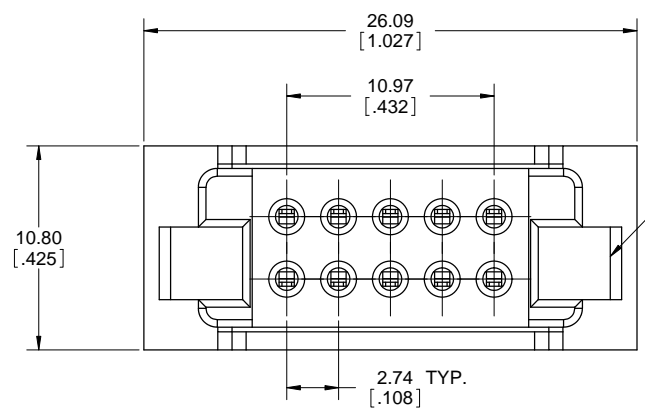
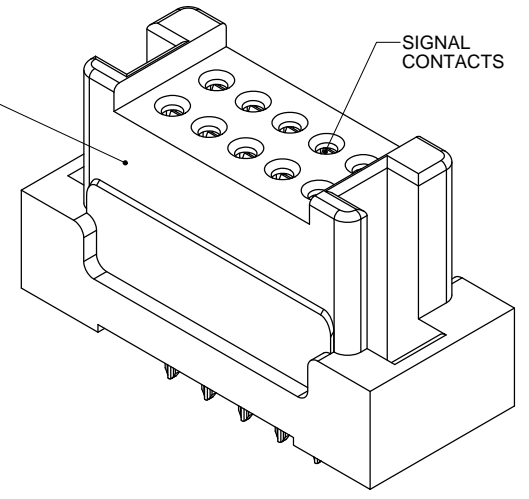


REVISIONS			
REV	DESCRIPTION, ECN, EAR NO.	DATE	APP'D
A	NEW PROPOSAL DWG (EAR 13783)	OCT25/10	K.L.

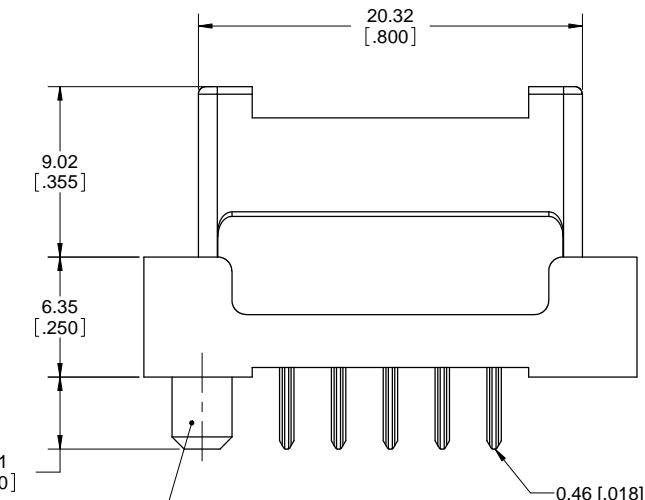


SLOT ACCEPTS PIN CONNECTOR HOUSING BLADE, LOCATED OFF CENTER TO PREVENT IMPROPER MATING

SOCKET HOUSING

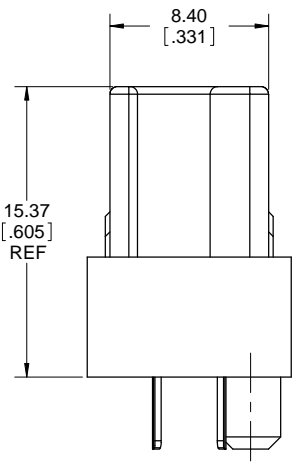


**P/N DWR-T010S-V233-01**



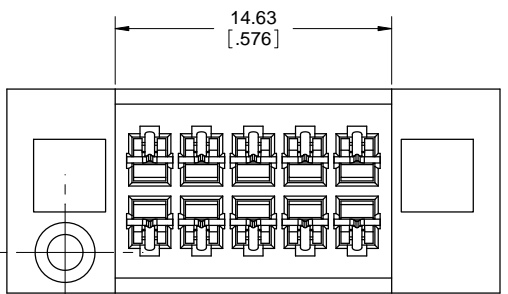
ORIENTATION PEG PREVENTS ASSEMBLY ERRORS

0.46 [.018] x 0.76 [.030] SIGNAL CONTACT TAILS (10 PLACES)



**NOTES:**

- MATERIALS: ALL MATERIALS ARE RoHS COMPLIANT PER EU DIRECTIVE 2002/95/EC AND AMENDMENTS.
  - HOUSING: HIGH TEMPERATURE RESISTANT NYLON, UL FLAMMABILITY RATING 94V-0, COLOUR BLACK
  - SIGNAL CONTACTS: PHOSPHOR BRONZE PLATED WITH 0.38µm (15µ") GOLD OVER 1.27µm (50µ") NICKEL ON THE MATING AREA AND 2.54µm (100µ") MATTE TIN OVER NICKEL ON THE TAILS.
- WHEN MATED WITH PIN CONNECTOR P/N DWR-T010P-V233-01, THE ORDER OF MECHANICAL AND ELECTRICAL ENGAGEMENT IS A) HOUSING BLADES, B) HOUSING SHROUD, C) SIGNAL CONTACTS.
- RATINGS SUBJECT TO DESIGN QUALIFICATION TESTING
  - CURRENT RATING: 5A SIGNAL
  - DIELECTRIC WITHSTANDING VOLTAGE: 1500VDC
  - INSULATION RESISTANCE: 5000 MEGAOHMS
  - OPERATING TEMPERATURE: -55C TO +105C



UNLESS SPECIFIED OTHERWISE	DRAWN	S.CAELERS	OCT25/10
PRIMARY UNITS MILLIMETERS	CHECKED	K.LAMBIE	OCT25/10
SECONDARY INCHES	M.E. APP'D		
REFERENCE IN PARENTHESES	Q.A. APP'D		
GENERAL TOLERANCES	DWG APPR.		
1 DECIMAL PLACE	ENG. REL. NO.	EAR 13783	
2 DECIMAL PLACES	REF.		
3 DECIMAL PLACES	THIRD ANGLE PROJECTION		
ANGULAR DEGREES	DO NOT SCALE DRAWING		

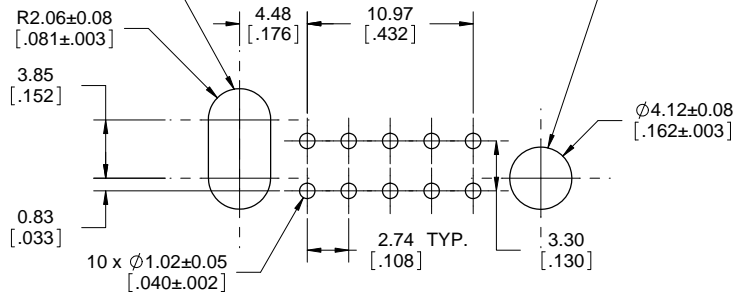
**Amphenol Canada Corp.**

**DWR SERIES SLIM DRAWER, 10 SIGNAL SOCKET CONNECTOR, RoHS COMPLIANT**

DWG. NO. **P-DWR-T010S-V233-01** REV **A**

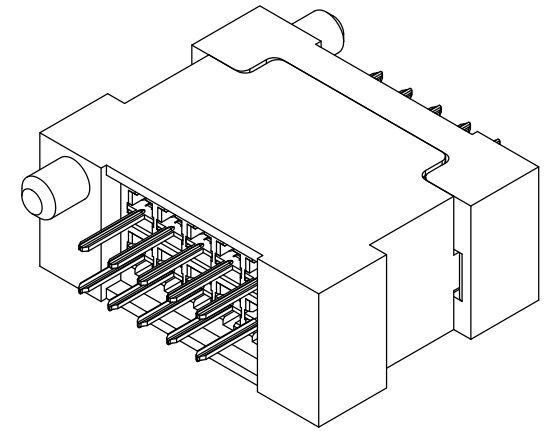
CODE ID NO. 03554 DWG SIZE: X SCALE: 5:1 SHEET 1 OF 2

SLOT & HOLE WILL CLEAR  
ORIENTATION PEG & MATING  
PIN HOUSING BLADES.  
PLATING NOT REQUIRED



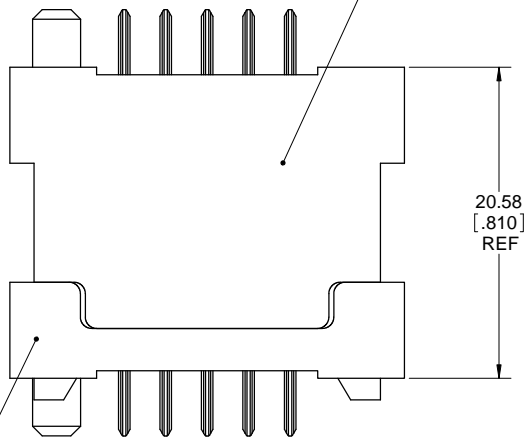
**RECOMMENDED PCB LAYOUT**  
COMPONENT SIDE OF BOARD  
SCALE 4:1

LOCATE HOLES  
 0.13[.005] DIA  
 POSITION DIMENSIONS  
 ARE BASIC



REVISIONS			
REV	DESCRIPTION, ECN, EAR NO.	DATE	APP'D
A	NEW PROPOSAL DWG (EAR 13783)	OCT25/10	K.L.

MATING PIN  
P/N DWR-T010P-V233-01



SOCKET CONNECTOR  
P/N DWR-T010S-V233-01

**MATED ASSEMBLY**  
SIDE VIEW  
SCALE 4:1



UNLESS SPECIFIED OTHERWISE	DRAWN	S.CAELERS	OCT25/10
PRIMARY UNITS MILLIMETERS	CHECKED	K.LAMBIE	OCT25/10
SECONDARY INCHES	M.E. APP'D		
REFERENCE IN PARENTHESES	Q.A. APP'D		
GENERAL TOLERANCES	DWG APPR.		
1 DECIMAL PLACE	ENG. REL. NO.	EAR 13783	
2 DECIMAL PLACES	REF.		
3 DECIMAL PLACES	THIRD ANGLE PROJECTION		DO NOT SCALE DRAWING
ANGULAR DEGREES			

**Amphenol Canada Corp.**

DWR SERIES SLIM DRAWER, 10 SIGNAL  
SOCKET CONNECTOR, RoHS COMPLIANT

DWG. NO.	REV
P-DWR-T010S-V233-01	A
CODE ID NO. 03554	DWG SIZE: X
SCALE: 2:1	SHEET 2 OF 2