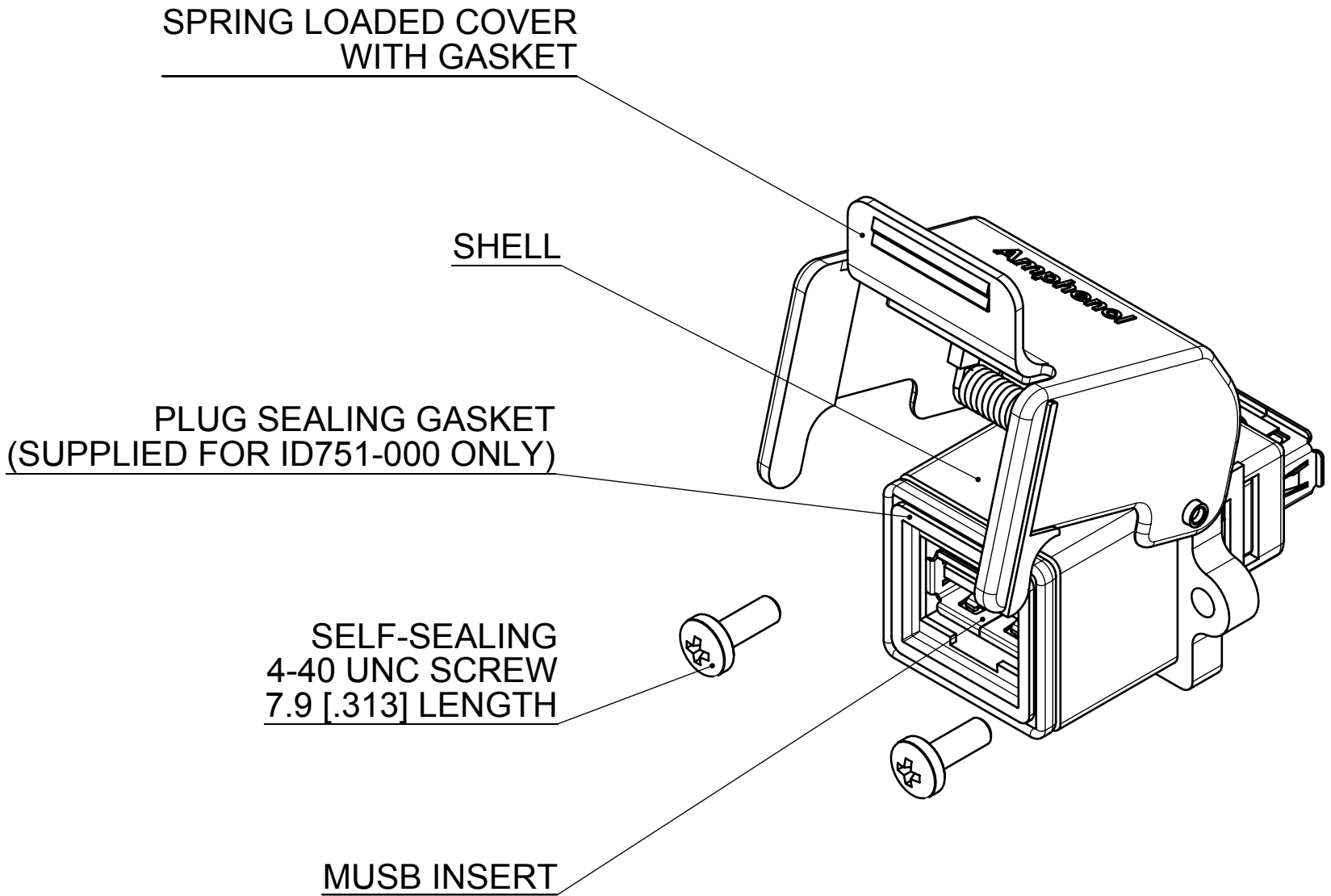


CONNECTOR WITH COVER CLOSED

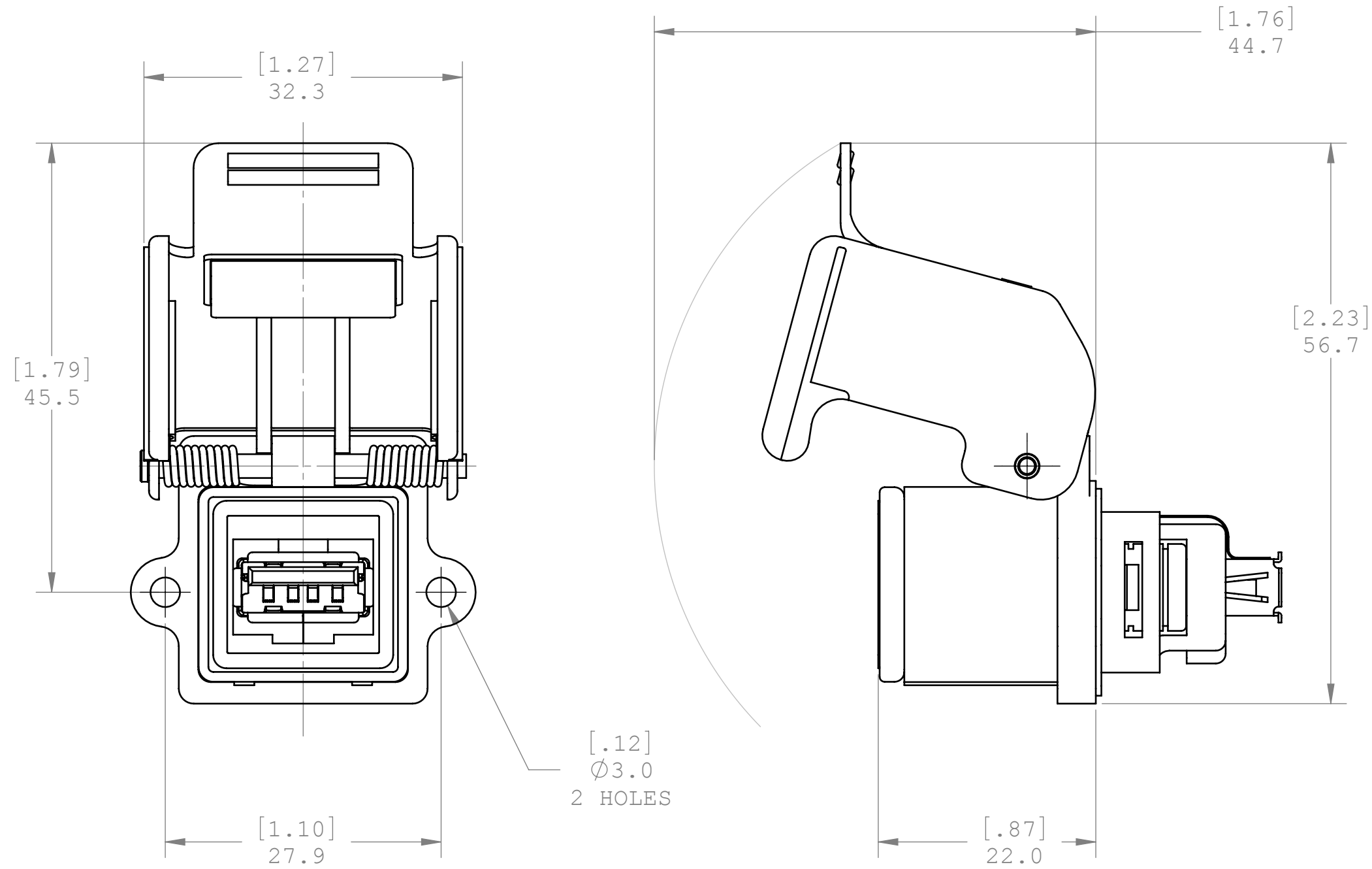


NOTES:

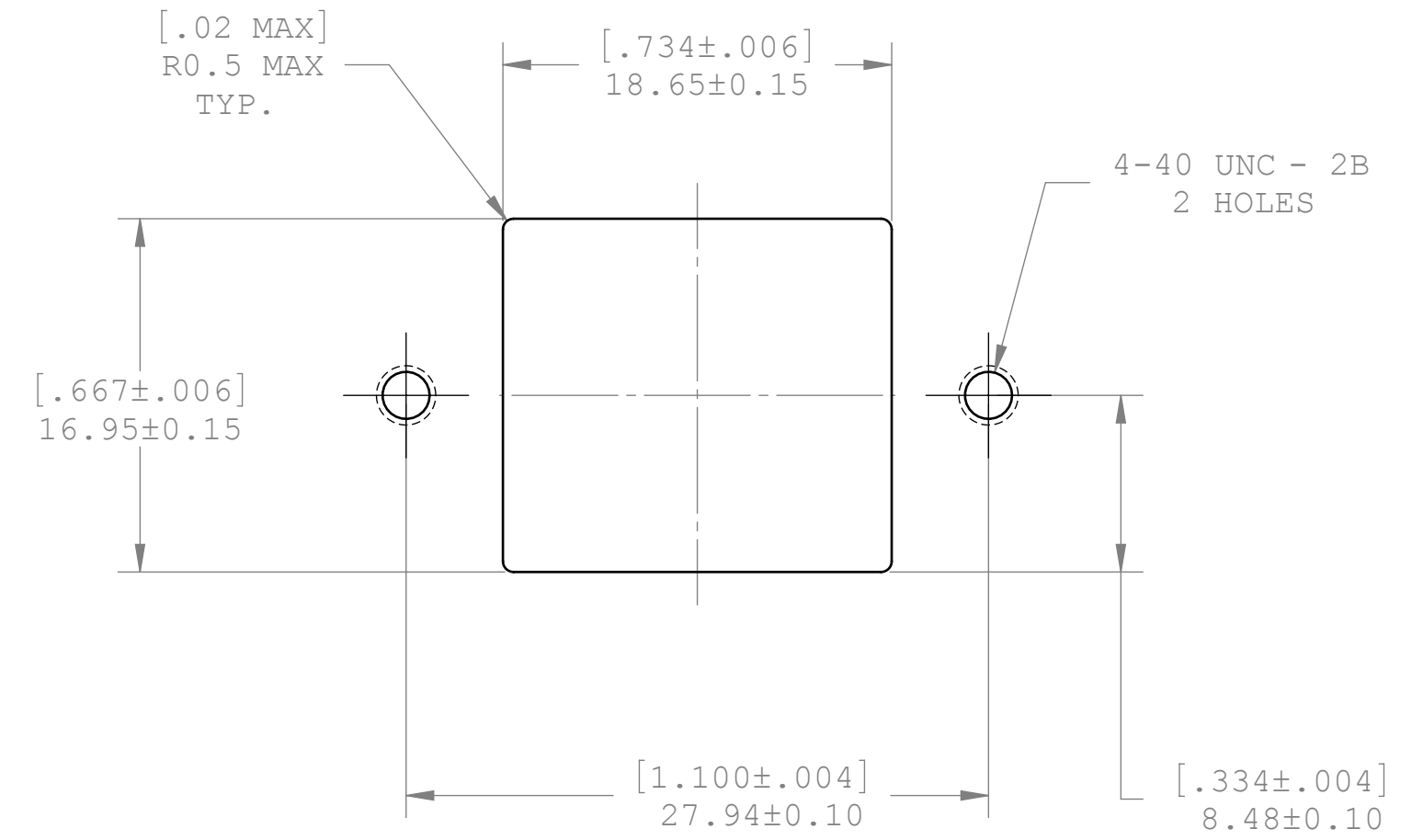
1. MATERIAL:
 - SHELL: ZINC ALLOY DIE CAST, 3 MICRONS [120 μ"] MIN NICKEL OVERALL.
 - COVER: ZINC ALLOY DIE CAST, 3 MICRONS [120 μ"] MIN NICKEL OVERALL.
 - SCREWS: STAINLESS STEEL.
 - HOUSING: HIGH TEMPERATURE THERMOPLASTIC, GLASS FILLED. FLAMMABILITY RATING UL94V-0, COLOR - BLACK.
 - CONTACTS: COPPER ALLOY.
 - GASKETS: SILICONE RUBBER.
2. OPERATING TEMPERATURE: -40°C TO +85°C.
3. ENVIROMENT PERFORMANCE: IP67.
4. CONNECTOR IS ROHS COMPLIANT PER EU DIRECTIVE 2002/95/EC AND AMENDMENTS.
5. PART NUMBER FOR ORDER IS ID451-000.



UNLESS OTHERWISE SPECIFIED DIMENSIONS ARE IN MILLIMETER TOLERANCES ARE:		APPROVALS	DATE	Amphenol Canada Corp.	
DECIMALS	ANGLES	DRAWN	FEB27/07		
.XX ± .10	± 1°	S.SEMENOV		TITLE	
.X ± .25		DESIGNED	FEB27/07		
MATERIAL AND FINISH		CHECKED		USB RECEPTACLE	
		QA APP'D			
REF.		IE APP'D		SIZE	DWG. NO.
		DWG APP'D	FEB27/07	C	P-ID451-000
CODE IDENT. NO.		A.GREEN		SCALE	PROJECT
				2:1	ID
					REV.
					1C
					SHEET
					1 OF 2



CONNECTOR WITH COVER OPENED



PANEL CUTOUT



UNLESS OTHERWISE SPECIFIED DIMENSIONS ARE IN MILLIMETER TOLERANCES ARE:

DECIMALS ANGLES
 .XX \pm .10 \pm 1°
 .X \pm .25

MATERIAL AND FINISH

REF.

CODE IDENT. NO.

APPROVALS

DRAWN S.SEMENOV

DESIGNED S.SEMENOV

CHECKED

QA APP'D

IE APP'D

DWG APP'D A.GREEN

DATE

FEB27/07

FEB27/07

DATE FEB27/07

Amphenol Canada Corp.

TITLE

USB RECEPTACLE

SIZE C

DWG. NO. P-ID451-000

REV. 1C

SCALE 2:1

PROJECT ID

SHEET 2 OF 2