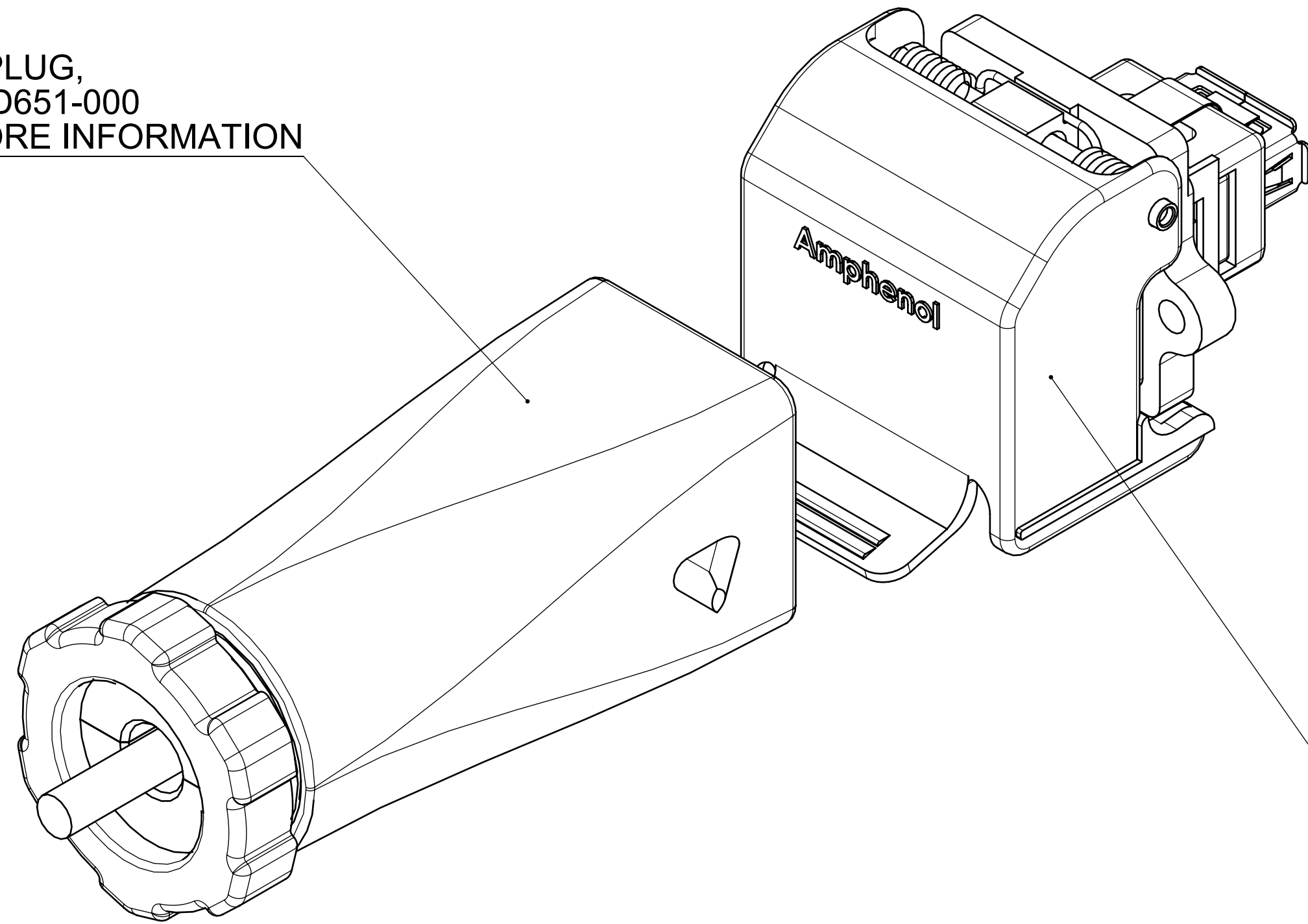


REV	DESCRIPT	DATE	APPRVD

USB-A PLUG,
SEE P-ID651-000
FOR MORE INFORMATION



USB-A RECEPTACLE,
SEE P-ID451-000
FOR MORE INFORMATION

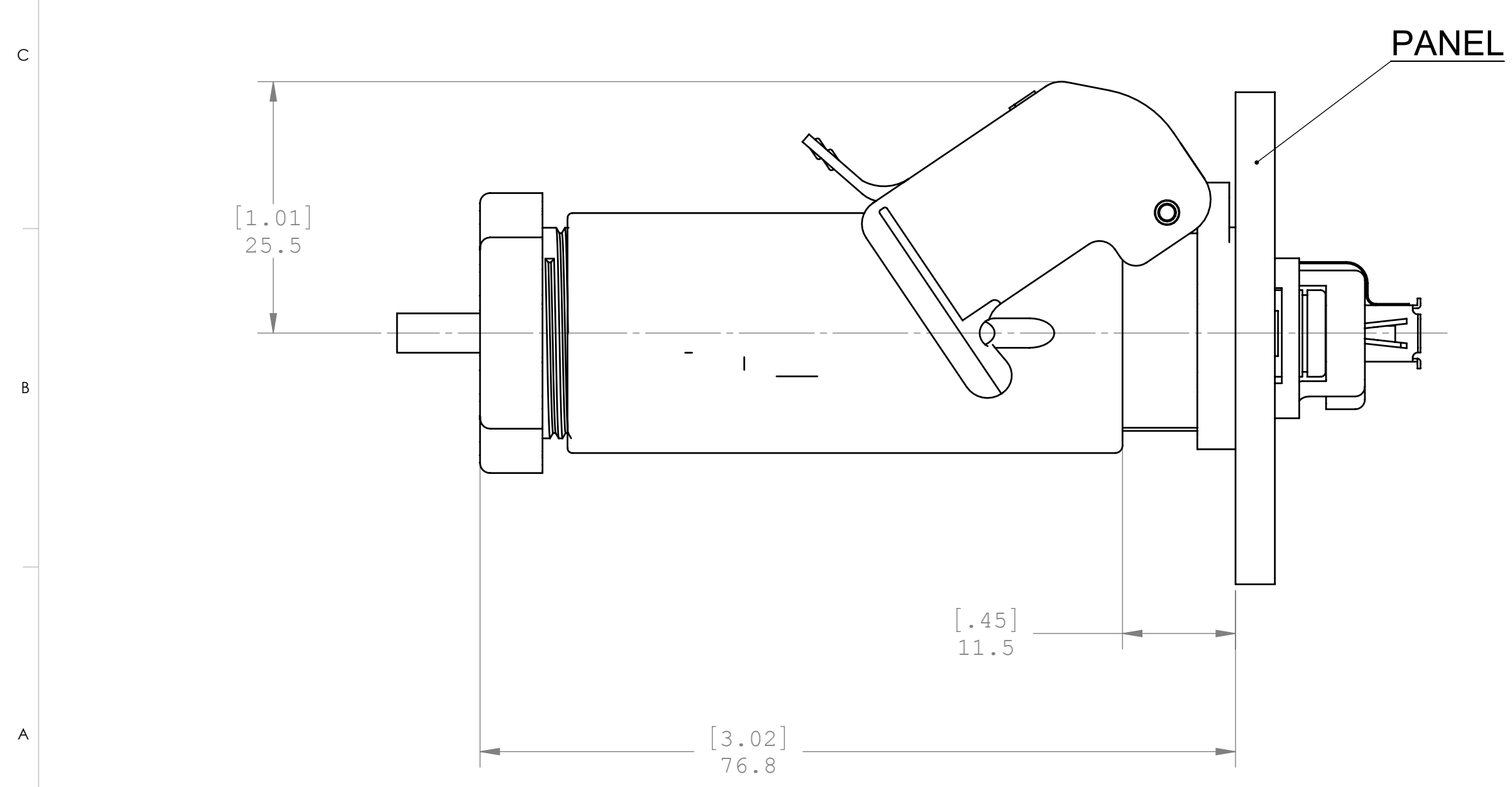
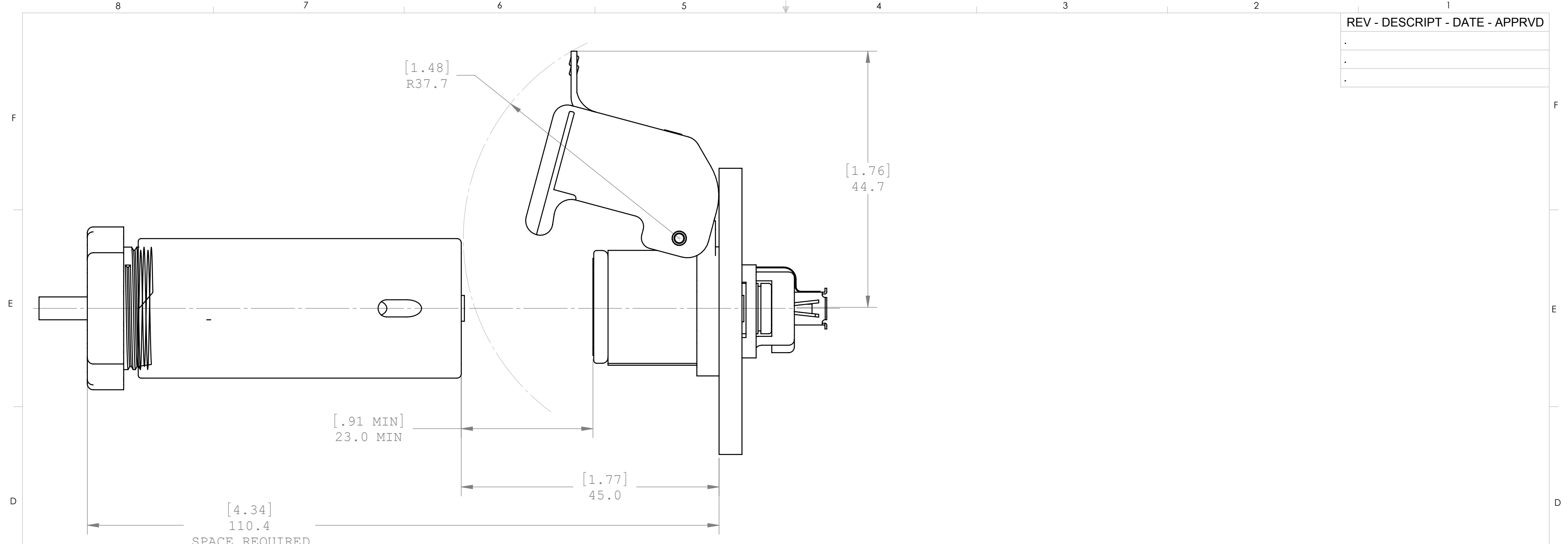
NOTES:

1. OPERATING TEMPERATURE: -40°C TO +85°C.
2. ENVIROMENT PERFORMANCE: IP67.
3. CONNECTOR IS ROHS COMPLIANT PER EU DIRECTIVE 2002/95/EC AND AMENDMENTS.
4. PART NUMBER FOR ORDER IS ID751-000.



UNLESS OTHERWISE SPECIFIED DIMENSIONS ARE IN MILLIMETER TOLERANCES ARE:		APPROVALS	DATE	Amphenol Canada Corp.	
DECIMALS	ANGLES	DRAWN	FEB16/07		
.XX ± .10	± 1°	S.SEMENOV		TITLE USB A RECEPTACLE AND PLUG	
.X ± .25		DESIGNED	FEB16/07		
MATERIAL AND FINISH		CHECKED		SIZE	DWG. NO.
		QA APP'D		C	P-ID751-000
REF.		IE APP'D		SCALE	PROJECT
		DWG APP'D	FEB16/07	2.5:1	ID
CODE IDENT. NO.		A.GREEN			REV. A
					SHEET 1 OF 2

DO NOT SCALE DRAWING
THIS DOCUMENT CONTAINS PROPRIETARY INFORMATION AND SUCH INFORMATION MAY NOT BE DISCLOSED TO OTHERS FOR ANY PURPOSE OR USED FOR MANUFACTURING PURPOSES WITHOUT PERMISSION FROM AMPHENOL CANADA CORP.



UNLESS OTHERWISE SPECIFIED DIMENSIONS ARE IN MILLIMETER TOLERANCES ARE: DECIMALS ANGLES .XX ±.10 ± 1° .X ±.25	APPROVALS	DATE	Amphenol Canada Corp.				
	DRAWN S.SEMENOV	FEB16/07				TITLE USB A RECEPTACLE AND PLUG	
	DESIGNED S.SEMENOV	FEB16/07	SIZE C	DWG. NO. P-ID751-000	REV. A		
	CHECKED		SCALE 2:1	PROJECT ID	SHEET 2 OF 2		
	MATERIAL AND FINISH	QA APP'D					
REF.	IE APP'D						
CODE IDENT. NO.	DWG APP'D A.GREEN	FEB16/07					

DO NOT SCALE DRAWING
THIS DOCUMENT CONTAINS PROPRIETARY INFORMATION AND SUCH INFORMATION MAY NOT BE DISCLOSED TO OTHERS FOR ANY PURPOSE OR USED FOR MANUFACTURING PURPOSES WITHOUT PERMISSION FROM AMPHENOL CANADA CORP.