

4

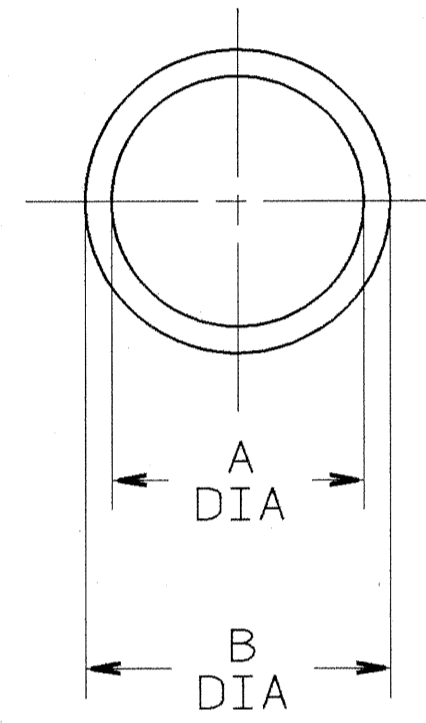
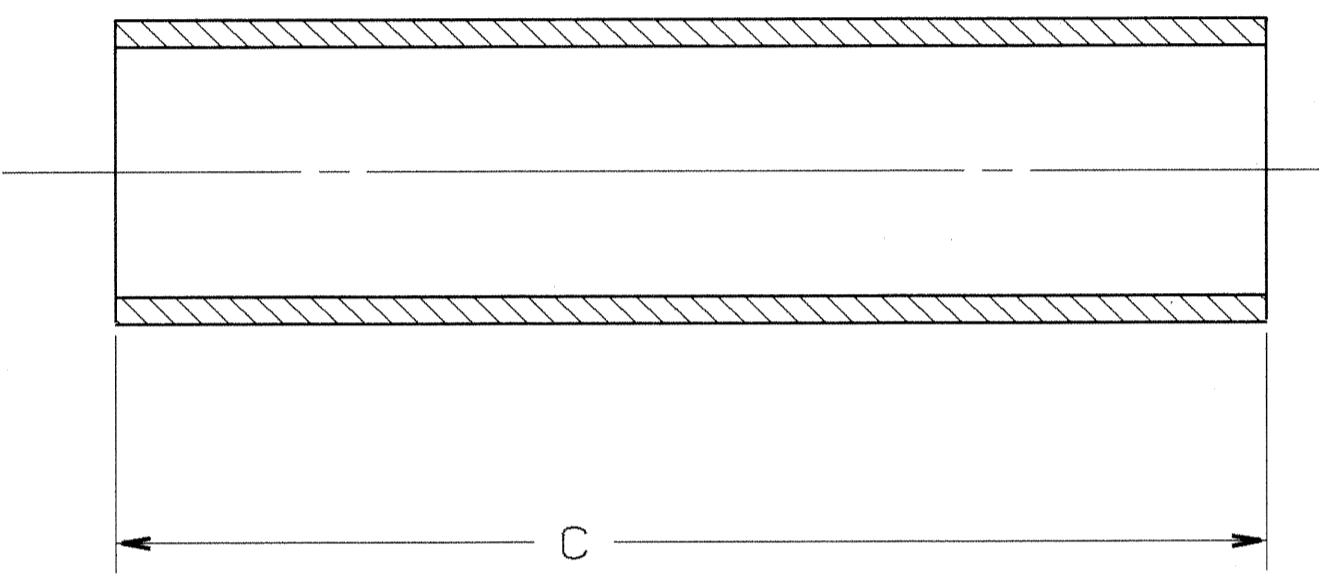
3

2

1

| PART NO. | TYPE | A DIA ±.016 | B DIA ±.016 | C ±.031 | MS NUMBER |
|--------------|------|-------------------|-------------------|------------|--------------|
| 10-35910-101 | I | .125 | .210 | 2.000 | MS3420- 3A |
| -121 | | .219 | .302 | 2.000 | - 4A |
| -141 | | .312 | .427 | 2.000 | - 6A |
| -161 | | .438 | .531 | 2.000 | - 8A |
| -181 | | .438 | .615 | 2.000 | -10A |
| -201 | | .541 | .740 | 2.000 | -12A |
| -241 | | .750 | .927 | 2.000 | -16A |
| -242 | | .750 | .928 | 3.000 | |
| -301 | | .938 | 1.115 | 2.000 | MS3420-18A |
| -321 | | .938 | 1.240 | 2.000 | -20A |
| -361 | | 1.125 | 1.365 | 2.000 | -24A |
| -401 | | 1.250 | 1.614 | 2.000 | -28A |
| -441 | | 1.625 | 1.865 | 2.000 | -32A |
| -481 | | 1.875 | 2.365 | 2.000 | -40A |

| REVISIONS | | | | |
|-----------|-----|--|---------------------|---------------------|
| ZONE | LTR | DESCRIPTION | DATE | APPROVED |
| | B | (CLII) REDRAWN, SAME SIZE, STANDARDIZED SEE CHANGE NOTICE ECN: 76686-1 | 1/7/86 BIVIANO | <i>Jardner</i> S |
| | C | (CLII) SEE CHANGE NOTICE ECN: 27564 | 3-8-93 DE MATTEO | <i>jed</i> |



TYPE I

1. MATERIAL SPEC: RUBBER PER MIL-STD-417
TYPE SC 515 A₁ B₁ C₁ E₃ F₂ GM.

NOTES:

THE USE OF THIS DOCUMENT IS UNLIMITED.
HOWEVER, DOCUMENTS REFERENCED HEREON
MAY CONTAIN LIMITED RIGHTS DATA.

| | | | | | | | |
|---|--|--------------------------------------|-----------|----------------------------|-------------|--|--------------|
| UNLESS OTHERWISE SPECIFIED LINEAR DIMENSIONS ARE IN INCHES. | | FIND NO. | QTY REQD. | FSCM NO. | PART NUMBER | DESCRIPTION | NOTE REF. |
| TOLERANCES: .XXX±.010, .XX ±.03, .X ±.1, ANGLES ±2°. | | SPECIFICATIONS | | SIGNATURES | | PARTS LIST | |
| OTHER STANDARDS PER 9-3800 AND DOD-D-1000. | | MATERIAL SPEC. SEE NOTE 1 | | HENNEASEY 3/23/50 | | ALLIED, AMPHENOL PRODUCTS BENDIX CONNECTOR OPERATIONS SIDNEY, N.Y. | |
| NOTE REF. = | | PROCESS SPEC. | | <i>J. DeMatteo</i> 3-26-86 | | SLEEVE-REDUCING U | |
| NEXT ASSEMBLY | | APPROVED <i>R.S. Carr</i> 3-27-86 | | SIZE C | | FSCM NO. 77820 | |
| | | ORIGINAL PREPARED DATE | | SCALE NONE | | REV. C | |
| | | | | WT. | | SHEET 1 OF 2 | |

COMPUTER GENERATED DRAWING.

TAB.

D

C

B

A

D

C

B

A

10-35910

Mouser Electronics

Authorized Distributor

Click to View Pricing, Inventory, Delivery & Lifecycle Information:

Amphenol:

[MS3420-10A](#) [MS3420-12A](#) [MS3420-16A](#) [MS3420-6A](#) [MS3420-8A](#) [MS3420-20A](#) [MS3420-28A](#) [MS3420-24A](#)
[MS3420-4A](#) [MS3420-18A](#) [MS3420-3A](#)