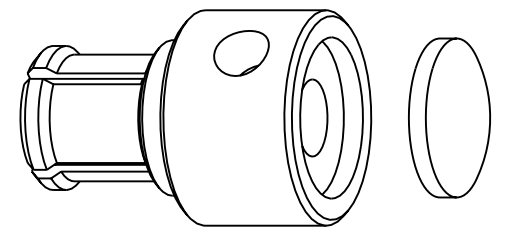


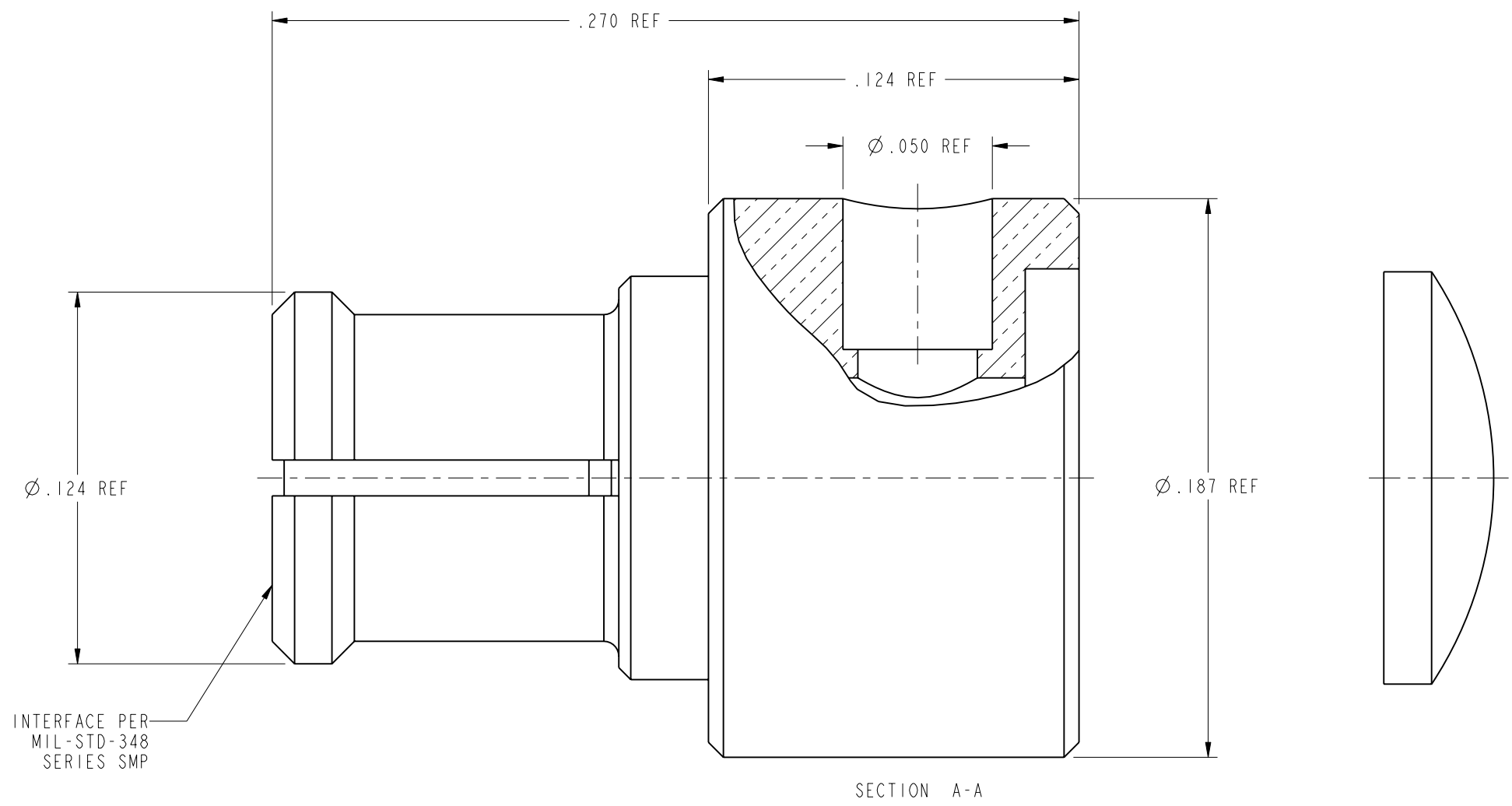
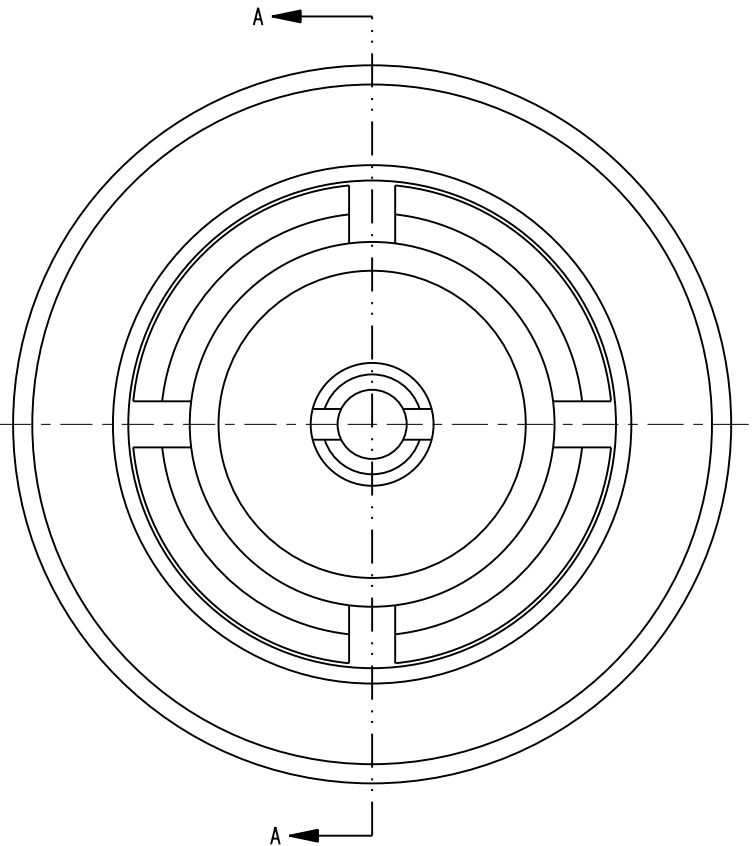
NOTES:

1. MATERIALS AND FINISHES:  
 BODY - BeCu, GOLD PLATING, .000030 [0.8] THICK OVER NICKEL  
 CONTACT - BeCu, GOLD PLATING, .000030 [0.8] THICK OVER NICKEL  
 INSULATOR - PTFE
2. ELECTRICAL:  
 A. IMPEDANCE: 50 OHM  
 B. FREQUENCY RANGE: DC - 26.5 GHz  
 C. VSWR(RETURN LOSS): 1.2 (20.8 dB), MAX. DC-10GHz  
                                   1.4 (15.6 dB), MAX. 10-18GHz  
                                   1.5 (14 dB), MAX. 18-26.5GHz  
 D. DIELECTRIC WITHSTANDING VOLTAGE: 500 VRMS, MIN.
3. PHYSICAL:  
 A. DURABILITY: 100 CYCLES MIN.  
 B. ENGAGEMENT FORCE: 15 LB [67 N] MAX  
 C. DISENGAGEMENT FORCE: 2 LB [9 N] MIN  
 E. TEMPERATURE RANGE: -65° C TO 165° C
4. PACKAGING:  
 A. QUANTITY: SINGLE PACK  
 B. MARKING: AMPHENOL, SMP-FR-C06, DATE CODE
5. SEE AMPHENOL SPEC 349-50687 FOR CABLE ASSEMBLY INSTRUCTIONS.

SMP-FR-C06		REVISIONS			
DRAWING NO.	REV	DESCRIPTION	DATE	ECO	APPR
THIRD ANGLE PROJ.	01	PROTOTYPE RELEASE	10/02/01		MAH



SCALE 6.000



SECTION A-A

CUSTOMER OUTLINE DRAWING  
 ALL OTHER SHEETS ARE FOR INTERNAL USE ONLY

UNLESS OTHERWISE SPECIFIED, DIMENSIONS ARE IN INCHES AND TOLERANCES ARE: 2 PLACE DECIMAL      3 PLACE DECIMAL      ANGLES ±.015 (0,381 mm)      ±.005 (0,127 mm)      ± 1°	MATERIAL	DRAWN M. HOYACK	DATE 02-Oct-01	TITLE <b>SMP R/A FEMALE SOCKET CONTACT FOR .047 S.R. CABLE</b>	<b>Amphenol</b> Amphenol Corporation Communication and Network Products Division Danbury, CT U.S.A. 06810	
	REFERENCE GEN# ASSYF3_SMP EAR# 322 615X-1716	ENGINEER G. ANTONINI	DATE 24-Jul-01			APPROVED
NOTICE - These drawings, specifications, or other data (1) are, and remain the property of Amphenol Corp. (2) must be returned upon request; and (3) are confidential and not to be disclosed to any person other than those to whom they are given by Amphenol Corp. The furnishing of these drawings, specifications, or other data by Amphenol Corp., or to any other person to anyone for any purpose is not to be regarded by implication or otherwise in any manner licensing, granting rights or permitting such holder or any other person to manufacture, use or sell any product, process or design, patented or otherwise, that may in any way be related to or disclosed by said drawings, specifications, or other data.		CAD FILE I:\SMP\SMP-FR-C06	CODE ID 74868	DWG SIZE B	DRAWING NO. SMP-FR-C06	REV 01
					SCALE: 20.0:1	SHEET 2 OF 2