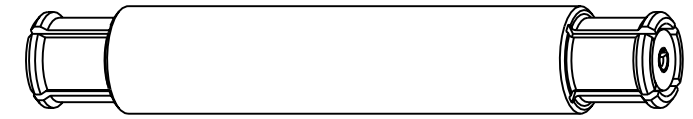


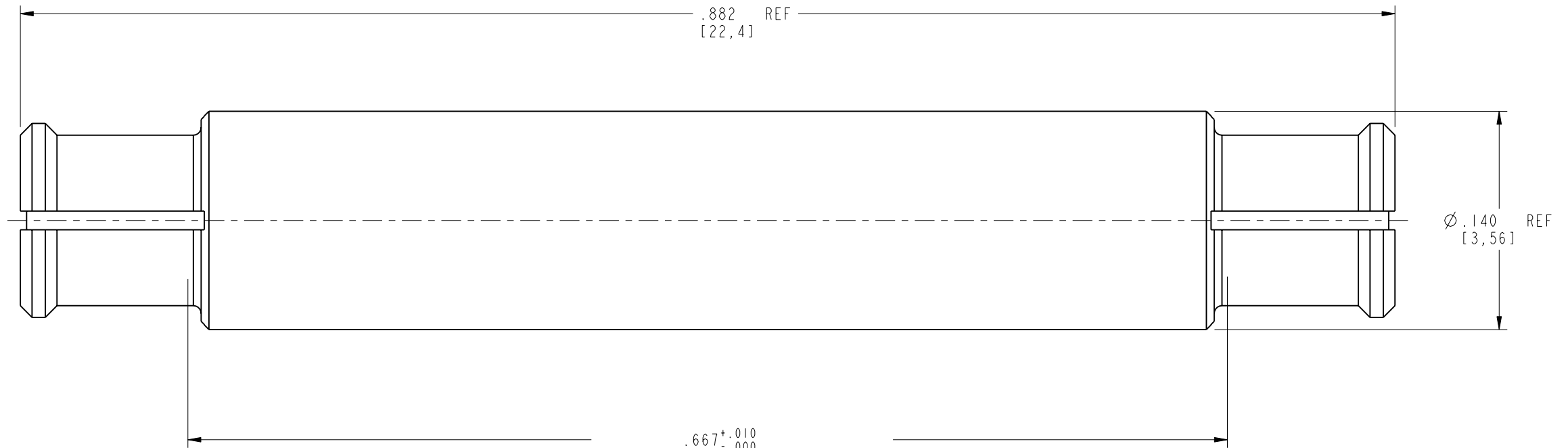
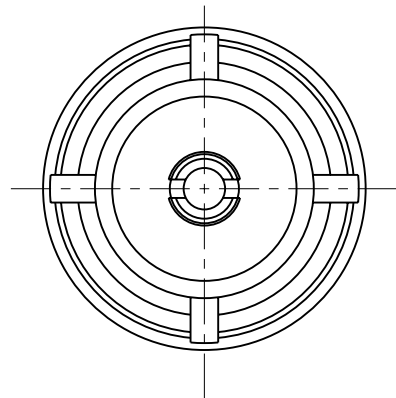
NOTES:

1. MATERIALS AND FINISHES:
  - BODY - BeCu, GOLD PLATING, .000030 [0.8] THICK OVER NICKEL
  - CONTACT - BeCu, GOLD PLATING, .000030 [0.8] THICK OVER NICKEL
  - INSULATOR - PTFE
2. ELECTRICAL:
  - A. IMPEDANCE: 50 OHM
  - B. FREQUENCY RANGE: DC - 26.5 GHz
  - C. VSWR(RETURN LOSS): 1.2 (20.8 dB), MAX. DC-10GHz  
 1.4 (15.6 dB), MAX. 10-18GHz  
 1.5 (14 dB), MAX. 18-26.5GHz
  - D. DIELECTRIC WITHSTANDING VOLTAGE: 500 VRMS, MIN.
3. PHYSICAL:
  - A. DURABILTIY: 100 CYCLES MIN.
  - B. ENGAGEMENT FORCE: 15 LB [67 N] MAX
  - C. DISINGAGEMENT FORCE: 2 LB [9 N] MIN
  - E. TEMERATURE RANGE: -65° C TO 165° C
4. PACKAGING:
  - A. QUANTITY: SINGLE PACK
  - B. MARKING: AMPHENOL, SMP-FSBA-224, DATE CODE

SMP-FSBA-224		REVISIONS			
DRAWING NO.	REV	DESCRIPTION	DATE	ECO	APPR
THIRD ANGLE PROJ.	01	PROTOTYPE RELEASE	03-Oct-01		MAH



SCALE 4.000



.667<sup>+0.010</sup><sub>-0.000</sub>  
 [ 16,94<sup>+0.25</sup><sub>-0.00</sub> ]  
 REQUIRED JACK TO JACK SPACING  
 FOR BLIND MATE APPLICATIONS

CUSTOMER OUTLINE DRAWING  
 ALL OTHER SHEETS ARE FOR INTERNAL USE ONLY

UNLESS OTHERWISE SPECIFIED, DIMENSIONS ARE IN INCHES AND TOLERANCES ARE: 2 PLACE DECIMAL 3 PLACE DECIMAL ANGLES ±.015 (0,381 mm) ±.005 (0,127 mm) ± 1°	MATERIAL	DRAWN M. HOYACK	DATE 27-Sep-01	TITLE <b>SMP BULLET ADAPTER          FEMALE TO FEMALE</b>	<b>Amphenol</b> Amphenol Corporation Communication and Network Products Division Danbury, CT U.S.A. 06810			
	REFERENCE GEN# ASSYF4_SMP EAR# 283 615X-1721	ENGINEER M. HOYACK	DATE 27-Sep-01			APPROVED	DATE	
NOTICE - These drawings, specifications, or other data (1) are, and remain the property of Amphenol Corp. (2) must be returned upon request; and (3) are confidential and not to be disclosed to any person other than those to whom they are given by Amphenol Corp. The furnishing of these drawings, specifications, or other data by Amphenol Corp., or to any other person to anyone for any purpose is not to be regarded by implication or otherwise in any manner licensing, granting rights or permitting such holder or any other person to manufacture, use or sell any product, process or design, patented or otherwise, that may in any way be related to or disclosed by said drawings, specifications, or other data.		CAD FILE I:\SMP\SMP-FSBA-224	CODE ID 74868	DWG SIZE B	DRAWING NO. SMP-FSBA-224	SCALE: 12.0:1	SHEET 2 OF 2	REV 01