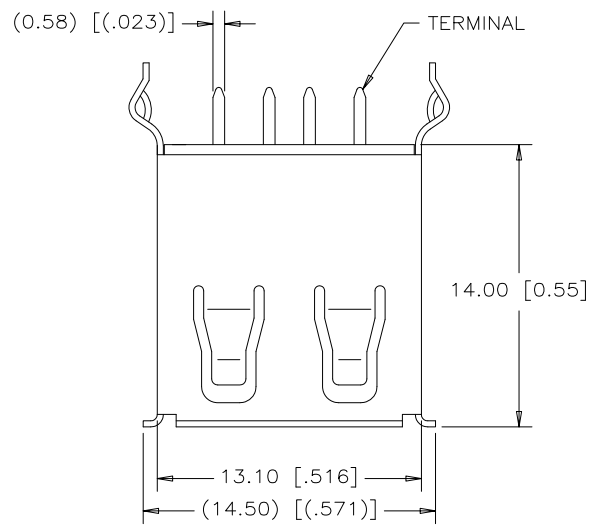


REVISIONS			
SYM	ZONE	ECN, ERN NO.	DATE APPRD.
C		ADDED NOTES 4 TO 8	FEB03/14 K.L.



TOP VIEW

AMPHENOL PART NUMBER: U E 2 7 - A E X 4 - X 0 X

SERIES \_\_\_\_\_  
UE27=RECEPTACLE

TYPE \_\_\_\_\_  
A=SERIES A

STYLE \_\_\_\_\_  
E=STRAIGHT PCB, VERTICAL MOUNT

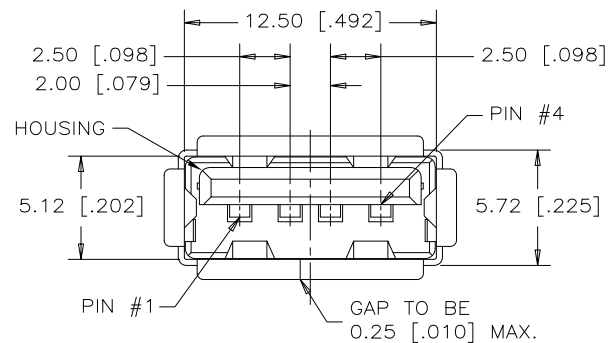
CONTACT PLATING OPTION \_\_\_\_\_  
5=30µ" [0.76µm] GOLD OVER NICKEL ON CONTACT MATING AREA,  
100µ" [2.54µm] TIN PLATING ON CONTACT TAILS.  
7=GOLD FLASH OVER NICKEL ON CONTACT MATING AREA,  
100µ" [2.54µm] TIN PLATING ON CONTACT TAILS.

MODIFIER  
0=PBT HOUSING  
H=HIGH TEMP HOUSING (MAXIMUM TEMPERATURE RATING: 260°C FOR 10s)

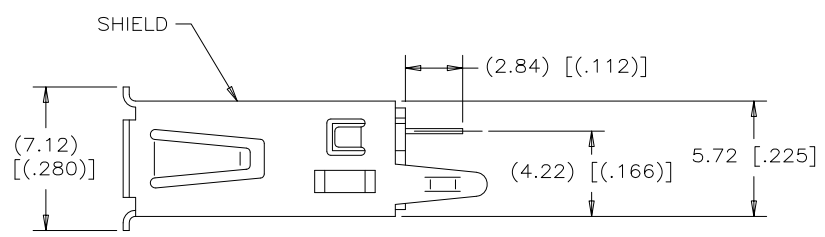
SHIELDING OPTION  
0=STANDARD

COLOUR:  
1=BLACK  
2=BEIGE (AVAILABLE FOR STANDARD TEMP ONLY)

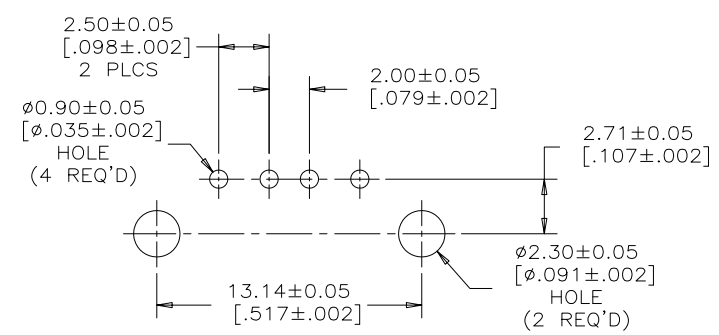
NUMBER OF CONTACTS  
4=4 CONTACTS



FRONT VIEW



SIDE VIEW



RECOMMENDED P.C.B. LAYOUT COMPONENT SIDE OF BOARD

NOTES:

- HOUSING: ENGINEERING THERMOPLASTIC, FLAMMABILITY UL94V-0, SEE ORDERING CODE FOR OPTIONS.
- CONTACTS: COPPER ALLOY, SEE ORDERING CODE FOR PLATING OPTIONS.
- SHIELD: COPPER ALLOY. PLATED NICKEL OVER COPPER
- CURRENT RATING: 1.5A @ 250V AC
- CONTACT RESISTANCE: 30 MILLIOHMS MAX.
- DIELECTRIC WITHSTANDING VOLTAGE: 500V AC
- MATING CYCLES: 1500 CYCLES
- OPERATING TEMPERATURE: -20°C TO +85°C



MATERIAL -----	DRAWN	Chigow	DATE	DEC05/05	Amphenol Canada Corp.		
	DESIGNED						
	CHECKED	PAULW	DATE	DEC05/05			
	I. E. APPRD.						
FINISH -----	Q. A. APPRD.				TITLE	UNIVERSAL SERIAL BUS (SERIES A) RECEPTACLE, STRAIGHT PCB TAIL, VERTICAL MOUNT-RoHS COMPLIANT	
	DWG. APPRD.				DWG	DRAWING NO.	P-UE27-AEX4-X0X
	ENG. REL. NO.				REV.		C
	REF.				DIMENSIONS ARE IN	CODE ID. NO.	03554
					SCALE	5/1	WT. -----
					SURF.	-----	SHEET 1 OF 1

THIS DOCUMENT CONTAINS PROPRIETARY INFORMATION AND SUCH INFORMATION MAY NOT BE DISCLOSED TO OTHERS FOR ANY PURPOSE OR USED FOR MANUFACTURING PURPOSES WITHOUT WRITTEN PERMISSION FROM AMPHENOL CANADA CORP.