

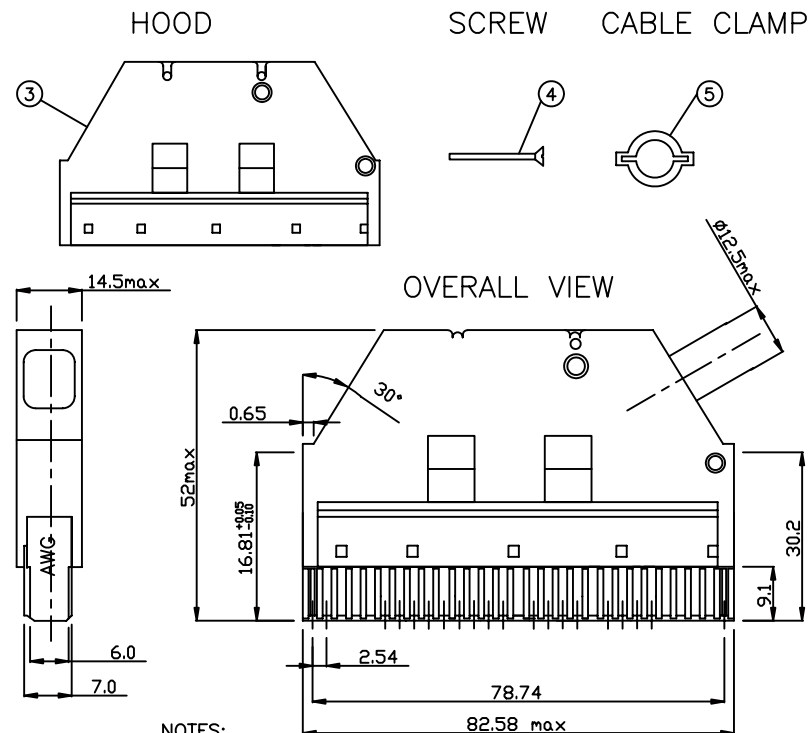
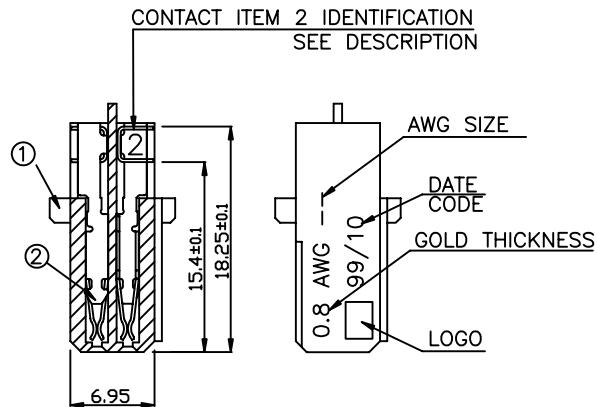
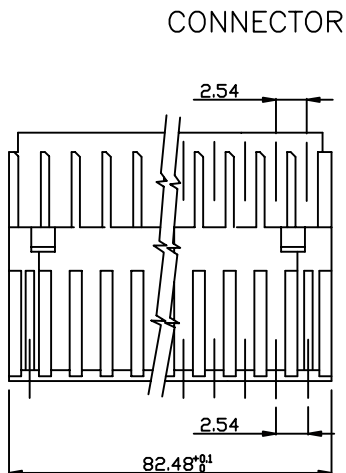
Tous droits strictement reserves. Reproduction ou communication a des tiers interdite sous quelque forme que ce soit sans autorisation écrite du propriétaire. Propriete de c FCI. Droits de reproduction FCI.

FCI

All rights strictly reserved. Reproduction or issue to third parties in any form whatever is not permitted without written authority from the proprietor. Property of FCI. Copyright FCI.

A

B



NOTES:
 1.MATERIAL:
 HOOD:THERMALPLASTIC UL94V0;
 BODY:GLASSFIBER REINFORCED THERMALPLASTIC UL94V0;
 CONTACTS:PHOSPHOR BRONZE;
 PLATING:GOLD OVER 2um NICKEL ON WORKING AREA.
 2.MECHANICAL REQUIREMENT:
 INSERTION FORCE(EACH CONTACT):<=1N;
 WITHDRAWAL FORCE (EACH CONTACT):>=0.19N;
 DURABILITY:>=100CYCLES.
 3.ELECTRICAL REQUIREMENT:
 INITIAL CONTACT RESISTANCE:<=20MILLIOHM;
 INSULATION RESISTANCE AFTER TEST:>=10000MEGAOHM;
 WITHSTANDING VOLTAGE:>1000Vrms;
 OPERATING VOLTAGE:250VAC;
 OPERATING CURRENT:1.3A AT 70 DEGREE.
 4.IF LEAD FREE P/N, GS-14-920 SHOULD BE APPLIED.
 5.THIS PRODUCT MEETS EUROPEAN UNION DIRECTIVES AND OTHER COUNTRY REGULATIONS AS DESCRIBED IN GS-22-008.

PLATING CODE&GOLD THICKNESS		Z4 or Z6 Au:0.8u										
PART NUMBER		1AB000490005(LF)	BPS1B64D0BZ6(LF)	35263ACCGA(LF)	35263ABGA(LF)	1AB000490006(LF)	BPS1B64D0CZ6(LF)	1AB000490024(LF)	BPS1B64D2CZ6(LF)	1AB000490011(LF)	BPS1B64D3CZ6(LF)	
5	HPTE1597	-	-	-	-	-	-	-	-	-	-	PLASTIC CABLE CLAMP
	HPTE1586	1	1	1	1	1	1	1	1	1	1	CABLE CLAMP #7.2
4	HPTE1585/A	-	4	-	4	-	-	-	-	-	-	CABLE CLAMP #12.5
	HPTE1585	4	-	-	-	4	4	4	4	4	4	CROSSHEEDED SCREW
	BPBS1B64P4A	-	1	-	1	-	-	-	-	-	-	OR SLOTTED SCREW
	BPBS1B64P6	2	-	-	-	2	-	-	-	-	-	1/2 CABLE HOOD FOR AWG24 AWG26
3	BPBS1B64P4	-	1	-	1	-	-	2	2	-	-	1/2 CABLE HOOD FOR AWG30
	BPCD3P2--(LF)	-	-	64	-	-	-	-	-	64	-	1/2 CABLE HOOD FOR AWG24 AWG26
2	BPCD2P2--(LF)	-	64	-	64	-	-	64	64	-	-	CONTACT FOR AWG24(IDENTIFICATION=3)
	BPCD0P2--(LF)	64	-	-	-	64	-	-	-	-	-	CONTACT FOR AWG26(IDENTIFICATION=2)
	BPBS1B64P9	1	-	-	-	1	-	-	-	-	-	CONTACT FOR AWG30(IDENTIFICATION=0)
1	BPBS1B64P8	-	1	-	-	-	1	-	-	-	-	BODY FOR AWG30(COLOR=WHITE)
	BPBS1B64P1	-	-	1	-	-	-	1	-	-	-	BODY FOR AWG26(COLOR=BLACK)
		-	-	-	1	-	-	-	1	-	-	BODY FOR AWG24(COLOR=GREY)
ITEM	CATALOG N°	QTY. FOR COMPLETE ASS'Y						DESCRIPTION				DRAWING

mat'l. code				tolerances unless otherwise specified		CUSTOMER COPY		 www.fciconnect.com	
ltr	ecn no	dr	date	linear	.X ± 0.5	projection	title	product family	DIN
A	F03021	DLE	01/29/03		.XX ± 0.30		ASSY 2X32		
B	F04-0107	DLE	01/21/04				CAPOT & CON.		VXX27633
C	N05-0008	YS	01/11/05	angles	± 2°				
D	N05-0223	AILEI	09/05/05	dr		MM			
				engr	F TISSERAND	01/29/03			
				chr	JF NOTTEAU	01/29/03	scale	1:1	A4
				appd	F.TI	01/29/03			
sheet index	revision sheet	D	1						

PDM: Rev:D

STATUS: Released 26 Printed: Jul 25, 2010

A

B