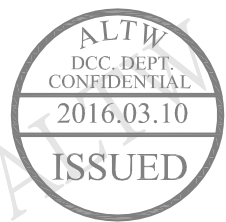
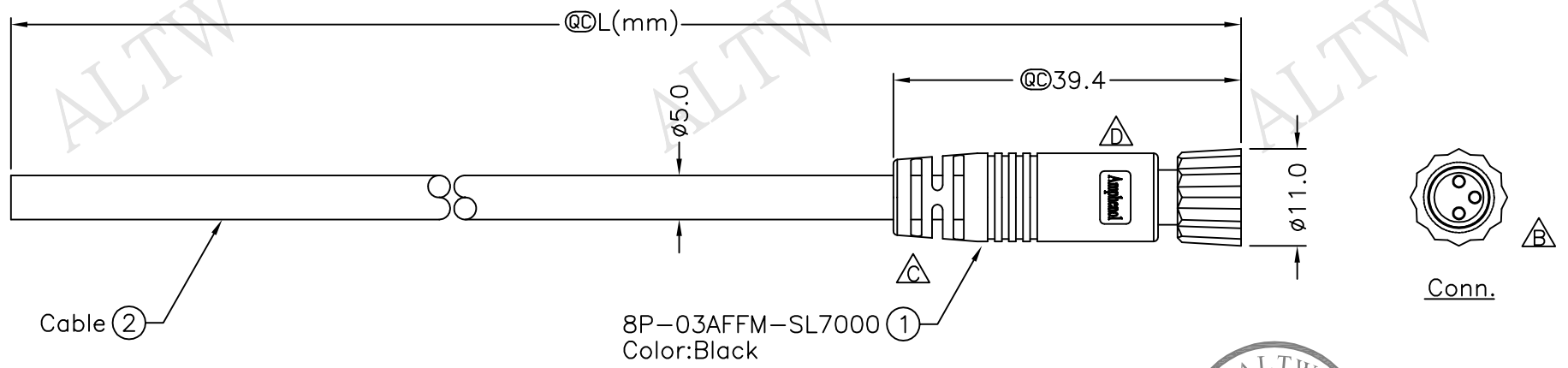
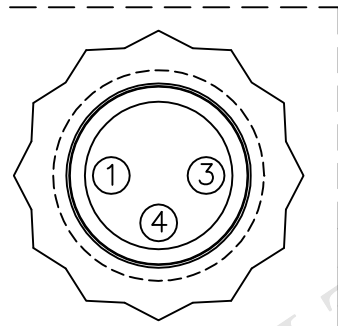


REV.	ECN NO.	DATE	SIGN	DESCRIPTION
B	LEN-920472~475	2009/02/19	Vicky	Update the drawing.
C	LEN11A0103~106	2011/09/19	Jiang Jun Hua	Change SR View
D	LEN1630109~112	2016/02/22	Ruru	Change Logo



8P-03AFFM-SL7AXX  
 XX:01~99Meters  
 01:01Meter  
 02:02Meters  
 :  
 :  
 99:99Meters  
 Cable Length(L):01~99Meters



Pin Assignments  
Front View

4	Black	黑
3	Blue	藍
1	Brown	棕
Conn.	Wire Color	
Pin Out		

- Notes:
- \* @C Important Dimension.
  - \* Waterproof Rate: IP67.
  - \* Connector: PU, Black.
  - \* Female Pin: Copper Alloy, Gold Plated.
  - \* Cable: UL2464 22AWG\*3C+Talcum, PVC Jacket, UV Resistant, OD=5.0mm, Black.
  - \* Cable Length Tolerance: 01M:±40mm  
 02M~05M:±60mm  
 06M~10M:±100mm  
 11M~30M:±200mm  
 31M~99M:±500mm

UNIT:mm	
TOLERANCE	±0.5 mm

TITLE	M8 Conn	
	Cable Screw 3P F Conn F Pin	
SCALE	Free	SHEET 1 OF 1
REV.	D	SIZE A4 @C :Inspection Item

**Amphenol LTW**  
 安費諾亮泰企業股份有限公司

ITEM NO	8P-03AFFM-SL7AXX	DRAWN BY	Ruru	DATE	2016/02/22
DWG NO	8P-03AFFM-SL7AXX	CHECKED BY	Rita	DATE	2016/02/22
CUSTOMER	ALTW	APPROVED BY	Lisa	DATE	2016/02/22

THIS DOCUMENT IS SUBJECT TO CHANGE WITHOUT NOTICE. IT IS CONFIDENTIAL AND A PROPERTY OF Amphenol LTW. DISCLOSURE TO THIRD PARTY HAS TO BE AUTHORIZED BY Amphenol LTW.