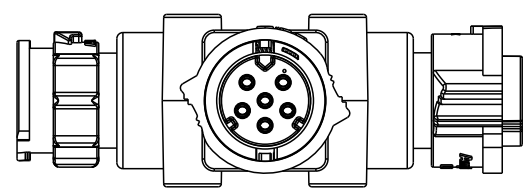
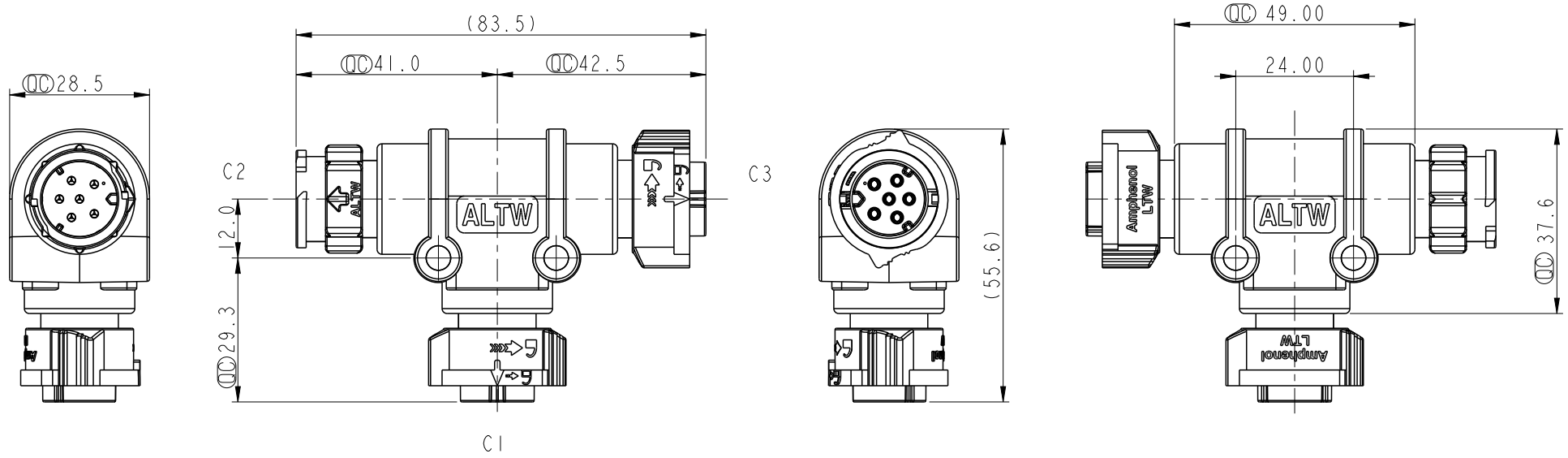


THIS DOCUMENT IS SUBJECT TO CHANGE WITHOUT NOTICE. IT IS CONFIDENTIAL AND A PROPERTY OF Amphenol LTW. DISCLOSURE TO THIRD PARTY HAS TO BE AUTHORIZED BY Amphenol LTW.

REV.	DESCRIPTION
A	Rev.01 to Rev.A



ALTW
CONFIDENTIAL
 2019-09-20
R&D DEPT.

Notes:
 *C1~C3
 IP: IP68(1M/24H)
 Connector: Thermoplastic
 Pin: Copper Alloy
 Nut: Thermoplastic

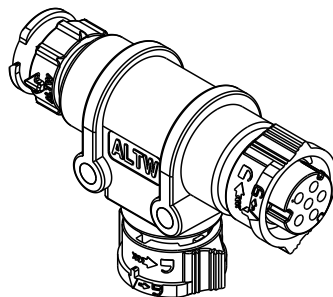
UNIT:mm		
TOLERANCE	±0.5mm	

TITLE T Adaptor X-Lok, C Size			
SCALE 1:1	SIZE A4	SHEET 1 OF 2	
REV. A	WC-REV. .0	☉: Inspection item	

Amphenol LTW
安費諾亮泰企業股份有限公司

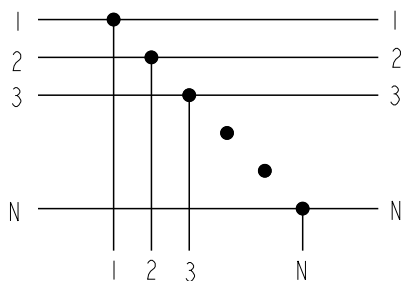
ITEM NO	DRAWN BY Eric	DATE 2019/09/20
DWG NO AB-CB-XXXXXX-FMF-TQ001	CHECKED BY Brady	DATE 2019/09/20
CUSTOMER ALTW	APPROVED BY Neo	DATE 2019/09/20

AB-CB-XXXXXX-FMF-TQ001



Connector Type:

- 04: 4Pin
- 05: 5Pin
- N: N Pin



Connection Diagram

	Pin Assignments Front View					
	4PIN		5PIN		6PIN	
MALE						
Female						
Pin Out	Pin#	Color	Pin#	Color	Pin#	Color
	Pin1	Black(黑)	Pin1	Black(黑)	Pin1	Black(黑)
	Pin2	Brown(棕)	Pin2	Brown(棕)	Pin2	Brown(棕)
	Pin4	Orange(橙)	Pin3	Red(紅)	Pin3	Red(紅)
	Pin5	Yellow(黃)	Pin4	Orange(橙)	Pin4	Orange(橙)
			Pin5	Yellow(黃)	Pin5	Yellow(黃)
				Pin6	Green(綠)	

UNIT:mm

TOLERANCE ±0.5mm

TITLE: T Adaptor X-Lok, C Size

SCALE: 1:1 SIZE: A4 SHEET: 2 OF 2

REV. A WC-REV. .0 : Inspection item

Amphenol LTW
安費諾亮泰企業股份有限公司

ITEM NO: AB-CB-XXXXXX-FMF-TQ001

DWG NO: AB-CB-XXXXXX-FMF-TQ001

CUSTOMER: ALTW

DRAWN BY: Eric

CHECKED BY: Brady

APPROVED BY: Neo

DATE: 2019/09/20

DATE: 2019/09/20

DATE: 2019/09/20