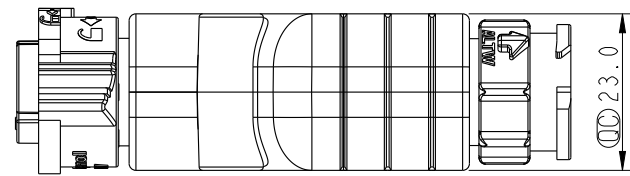
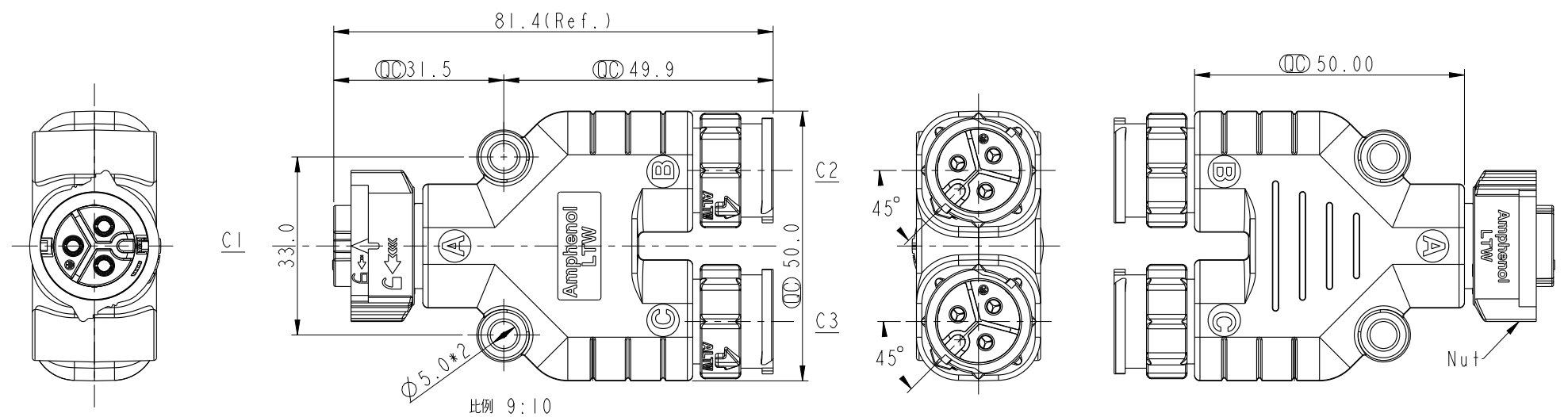


THIS DOCUMENT IS SUBJECT TO CHANGE WITHOUT NOTICE. IT IS CONFIDENTIAL AND A PROPERTY OF Amphenol LTW. DISCLOSURE TO THIRD PARTY HAS TO BE AUTHORIZED BY Amphenol LTW.

REV.	DESCRIPTION



Notes:
 *C1~C3
 IP: IP68(1M/24Hours)
 Connector: Thermoplastic
 Pin: Copper Alloy
 Nut: Thermoplastic

UNIT: mm		
TOLERANCE		
±0.5mm		

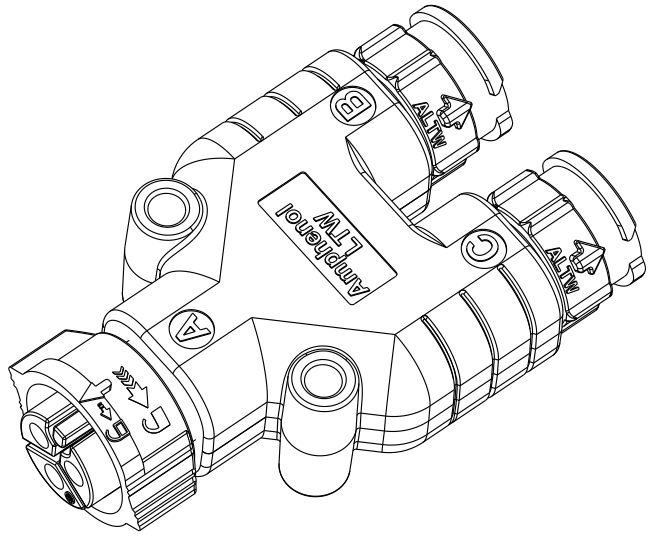
TITLE Y Adaptor X-Lok, C Size		
SCALE 1:1	SIZE A4	SHEET 1 OF 2
REV. A	WC-REV. .0	Inspection item

Amphenol LTW
 安費諾亮泰企業股份有限公司

ITEM NO	DRAWN BY Ouyang	DATE 2019-08-02
DWG NO AB-CC-XXXXXX-FMM-YQ001	CHECKED BY Jerry	DATE 2019-08-02
CUSTOMER ALTW	APPROVED BY Fred	DATE 2019-08-02

THIS DOCUMENT IS SUBJECT TO CHANGE WITHOUT NOTICE. IT IS CONFIDENTIAL AND A PROPERTY OF Amphenol LTW. DISCLOSURE TO THIRD PARTY HAS TO BE AUTHORIZED BY Amphenol LTW.

REV.	DESCRIPTION

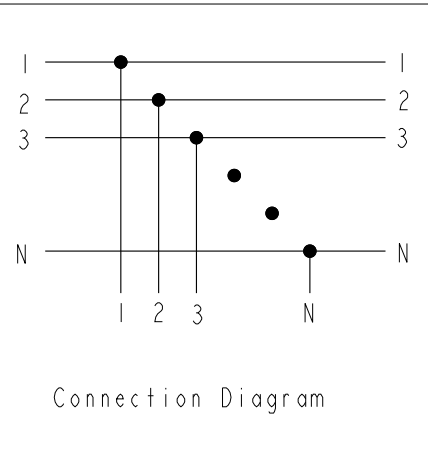


ALTW
CONFIDENTIAL
 2019-08-02
R&D DEPT.

	Pin Assignments Front View			
	2Pin		3Pin	
Male				
Female				
Pin Out	Pin#	Color	Pin#	Color
	Pin1 Pin3	Red(紅) Black(黑)	Pin1 Pin2 Pin3	Red(紅) Green(綠) Black(黑)

AB-CC-XXXXXX-FMM-YQ001

Connector Type:
 02: 2Pin
 03: 3Pin
 N: N Pin



UNIT:mm
 TOLERANCE
 ±0.5mm

TITLE
 Y Adaptor X-Lok, C Size

SCALE	1:1	SIZE	A4	SHEET	2	OF	2
REV.	A	WC-REV.	.0	QC: Inspection item			

Amphenol LTW
 安費諾亮泰企業股份有限公司

ITEM NO	DRAWN BY	DATE
	Ouyang	2019-08-02
DWG NO	CHECKED BY	DATE
AB-CC-XXXXXX-FMM-YQ001	Jerry	2019-08-02
CUSTOMER	APPROVED BY	DATE
ALTW	Fred	2019-08-02