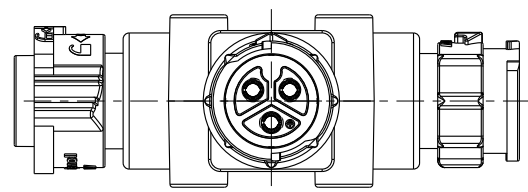
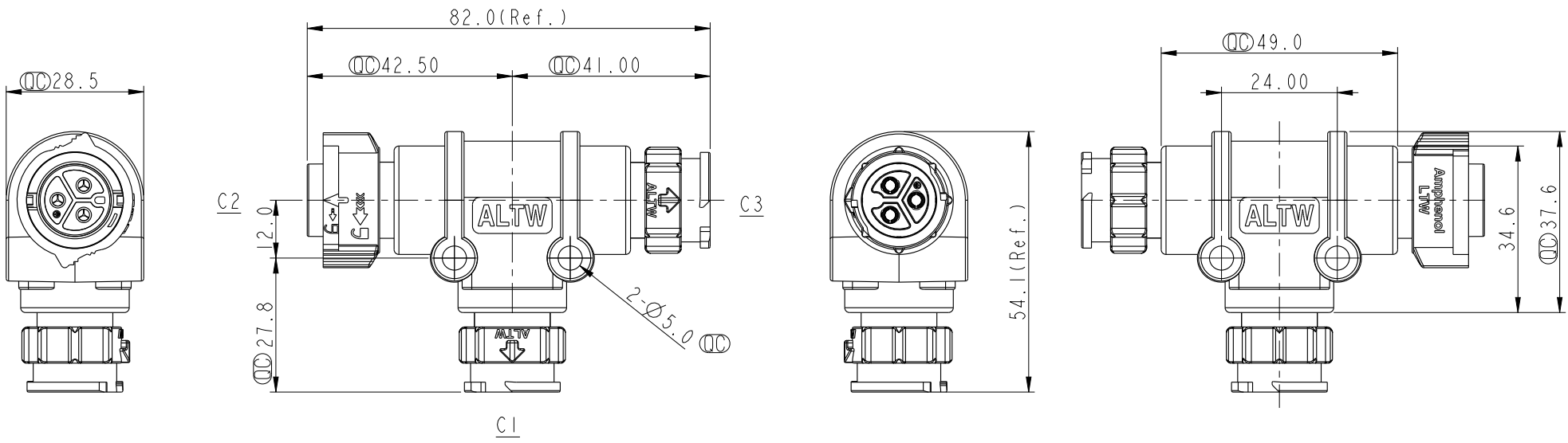


THIS DOCUMENT IS SUBJECT TO CHANGE WITHOUT NOTICE. IT IS CONFIDENTIAL AND A PROPERTY OF Amphenol LTW. DISCLOSURE TO THIRD PARTY HAS TO BE AUTHORIZED BY Amphenol LTW.

REV.	ECN NO.	DATE	SIGN	DESCRIPTION



ALTW
CONFIDENTIAL
2019-08-02
R&D DEPT.

- * \varnothing Important Dimension
- * Waterproof Rating: IP68 (IM/24Hours)
- * Housing & Nut: Nylon+GF, Black.
- * O-Ring: Silicone, Gray
- * Pins: Copper Alloy, Gold Plated.

UNIT: mm

TOLERANCE
±0.5mm

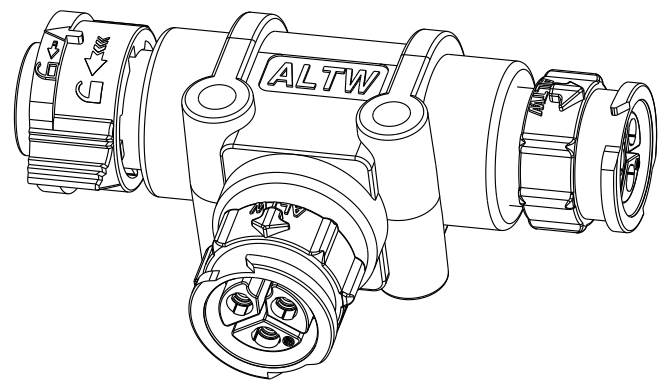
TITLE T Adaptor X-Lok, C Size			
SCALE 1:1	SIZE A4	SHEET 1 OF 2	
REV. A	WC-REV. .0	\varnothing : Inspection item	

Amphenol LTW
安費諾亮泰企業股份有限公司

ITEM NO.	DRAWN BY Ouyang	DATE 2019-08-02
DWG NO. AB-CC-XXXXXX-HBH-TQ001	CHECKED BY Jerry	DATE 2019-08-02
CUSTOMER ALTW	APPROVED BY Fred	DATE 2019-08-02

THIS DOCUMENT IS SUBJECT TO CHANGE WITHOUT NOTICE. IT IS CONFIDENTIAL AND A PROPERTY OF Amphenol LTW. DISCLOSURE TO THIRD PARTY HAS TO BE AUTHORIZED BY Amphenol LTW.

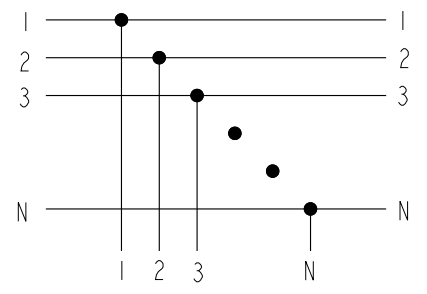
REV.	ECN NO.	DATE	SIGN	DESCRIPTION



AB-CC-XXXXXX-HBH-TQ001

Connector Type:

- 02: 2Pin
- 03: 3Pin
- N: N Pin



Connection Diagram

	Pin Assignments Front View			
	2 Pin		3 Pin	
Male				
Female				
Pin Out	Pin#	Color	Pin#	Color
	Pin1 Pin3	White 白 Black 黑	Pin1 Pin2 Pin3	White 白 Green 綠 Black 黑

UNIT:mm	
TOLERANCE	±0.5mm

TITLE T Adaptor X-Lok, C Size			
SCALE 1:1	SIZE A4	SHEET 2 OF 2	
REV. A	WC-REV. .0	QC: Inspection item	

Amphenol LTW
安費諾亮泰企業股份有限公司

ITEM NO	DRAWN BY Ouyang	DATE 2019-08-02
DWG NO AB-CC-XXXXXX-HBH-TQ001	CHECKED BY Jerry	DATE 2019-08-02
CUSTOMER ALTW	APPROVED BY Fred	DATE 2019-08-02