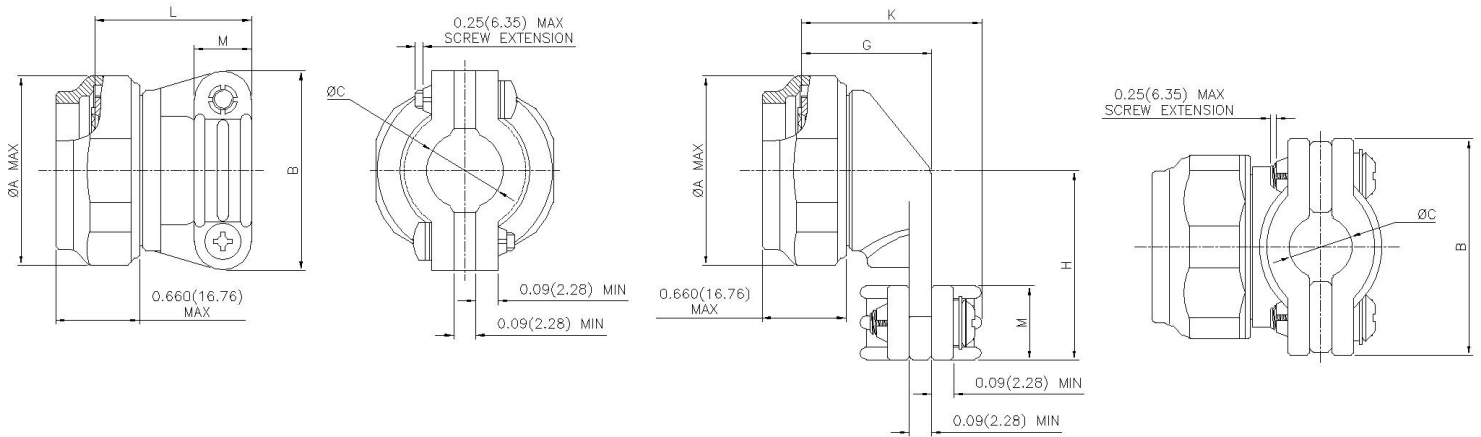


# COMPOSITE STRAIN RELIEF

## STRAIGHT; 90°

MIL-DTL-38999 Series III & IV

M85049	/91	-	09	T
SERIES	SLASH SHEET	DASH NUMBER	SHELL SIZE	FINISH
	91: Straight 92: 90°	-: Detented N: Not Detented	Table A	T: Cadmium, Bright



Shell Size	Screw Size	A Dia. Max.		B Dia. Max.		C Max.		LMax.		H		K Max.		M		G Max.	
		inch	mm	inch	mm	0.031	0.78	inch	mm	0.062	1.57	inch	mm	0.031	0.78	inch	mm
						inch	mm			inch	mm			inch	mm		
9	4-40	0.858	21.79	0.980	24.89	0.219	5.56	0.840	21.34	0.875	22.23	1.060	26.92	0.375	9.53	0.769	19.53
11	4-40	0.984	24.99	1.050	26.67	0.264	6.71	0.960	24.38	0.937	23.80	1.100	27.94	0.375	9.53	0.792	20.12
13	6-32	1.157	29.39	1.200	30.48	0.344	8.74	1.100	27.94	1.031	26.19	1.180	29.97	0.406	10.31	0.847	21.51
15	6-32	1.280	32.51	1.300	33.02	0.460	11.68	1.100	27.94	1.125	28.58	1.300	33.02	0.406	10.31	0.890	22.61
17	6-32	1.406	35.71	1.420	36.07	0.545	13.84	1.230	31.24	1.312	33.32	1.380	35.05	0.406	10.31	0.941	23.90
19	6-32	1.516	38.51	1.520	38.61	0.615	15.62	1.410	35.81	1.375	34.93	1.450	36.83	0.406	10.31	0.972	24.69
21	6-32	1.642	41.71	1.640	41.66	0.698	17.73	1.510	38.35	1.500	38.10	1.540	39.12	0.406	10.31	1.009	25.63
23	6-32	1.768	44.91	1.770	44.96	0.780	19.81	1.660	42.16	1.625	41.28	1.620	41.15	0.406	10.31	1.050	26.67
25	6-32	1.890	48.01	1.890	48.01	0.850	21.59	1.760	44.70	1.750	44.45	1.690	42.93	0.406	10.31	1.085	27.56

# COMPOSITE SPLIT SHIELD RING

M85049/88; /89; /90

M85049	/93	10
SERIES	SLASH SHEET	DASH NUMBER
		Table A

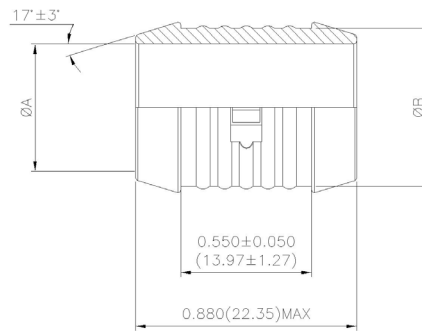


TABLE-A				
Shell Size	A Dia. Max.		B Max.	
	inch	mm	inch	mm
04	0.250	6.35	0.390	9.9
06	0.375	9.53	0.515	13.1
08	0.500	12.70	0.640	16.3
10	0.625	15.88	0.770	19.6
12	0.750	19.05	0.903	22.9
14	0.875	22.23	1.094	27.8
16	1.000	25.40	1.173	29.8
18	1.125	28.58	1.310	33.3
20	1.250	31.75	1.447	36.8
22	1.375	34.93	1.578	40.1
24	1.500	38.10	1.703	43.3
26	1.625	41.28	1.828	46.4
28	1.750	44.45	1.953	49.6