

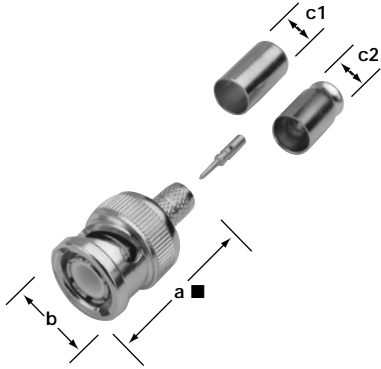
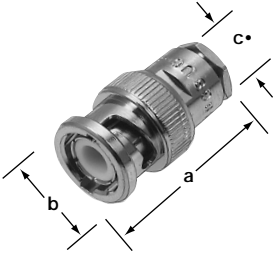
Distributed by:

**JAMECO**<sup>®</sup>  
ELECTRONICS

**www.Jameco.com ♦ 1-800-831-4242**

The content and copyrights of the attached  
material are the property of its owner.

Jameco Part Number 2062088

<p>Fig. 1</p>  <p style="text-align: center;">BNC Crimp Plugs for Networking</p> <p style="text-align: center;"><b>31-5800</b> <b>31-5900</b></p>	<p>Fig. 2</p>  <p style="text-align: center;">BNC Clamp Plugs</p> <table style="margin-left: auto; margin-right: auto;"> <tr> <td><b>6775</b></td> <td><b>31-2</b></td> <td><b>31-3202</b></td> </tr> <tr> <td><b>9350</b></td> <td><b>31-2-RFX</b></td> <td><b>31-3301</b></td> </tr> <tr> <td><b>15875</b></td> <td><b>31-202</b></td> <td><b>31-3302</b></td> </tr> <tr> <td><b>16300</b></td> <td><b>31-212</b></td> <td></td> </tr> <tr> <td><b>69475</b></td> <td><b>31-212-1005</b></td> <td></td> </tr> <tr> <td><b>84975</b></td> <td><b>31-212-RFX</b></td> <td></td> </tr> </table>	<b>6775</b>	<b>31-2</b>	<b>31-3202</b>	<b>9350</b>	<b>31-2-RFX</b>	<b>31-3301</b>	<b>15875</b>	<b>31-202</b>	<b>31-3302</b>	<b>16300</b>	<b>31-212</b>		<b>69475</b>	<b>31-212-1005</b>		<b>84975</b>	<b>31-212-RFX</b>	
<b>6775</b>	<b>31-2</b>	<b>31-3202</b>																	
<b>9350</b>	<b>31-2-RFX</b>	<b>31-3301</b>																	
<b>15875</b>	<b>31-202</b>	<b>31-3302</b>																	
<b>16300</b>	<b>31-212</b>																		
<b>69475</b>	<b>31-212-1005</b>																		
<b>84975</b>	<b>31-212-RFX</b>																		

## BNC CRIMP-CRIMP CABLE PLUGS FOR NETWORKING

Cable RG-/U	Dimensions, inches (millimeters)				Notes			Amphenol Number	Fig.
	a ■	b	c • 1	c • 2	CAI	Plt.	Ins.		
58, 58A, 58B, 58C, 141, Plenum 58, Belden 9907, 89907, Comscope 2104K, 2135, 3104	1.11(28.2)	.563(14.3)	.209(5.3)	.181(4.60)	C26	P15	D26	<b>31-5800</b>	1 ▲
59 & 62, RG-59 20GACC, Plenum 59 & 62; Belden 1515A, 8212, 8221, 8241, 8241A, 8241F, 8263, 8279A, 9100, 9209, 9209A, 9240, 9244, 9259, 9274, 9275, 9659, 1426A, 82108, 88241, 82241, 89259, 82259, 1506A; AT&T 734A; Comscope 5553, 2020K, 3037V, 2249K	1.11(28.2)	.563(14.3)	.261(6.6)	.220(5.59)	C26	P15	D26	<b>31-5900</b>	

## BNC CLAMP CABLE PLUGS

Cable RG-/U	Cable Attachment		Dimensions, inches (millimeters)			Notes			Military Number	Amphenol Number	Fig.
	Outer	Inner	a ■	b	c •	CAI	Plt.	Ins.			
<b>6</b>	Clamp	Solder	1.25(31.8)	.563(14.3)	.348(8.8)	C25	P1	D6	—	<b>9350*</b>	▲ ▲ ▲ ▲ ▲ ▲ ▲ ▲ ▲ ▲ ▲ ▲ ▲ ▲ ▲
<b>8, 9, 11, 213, 214</b>	Clamp	Solder	1.66(42.1)	.688(17.5)	.437(11.1)	C25	P1	D1	UG-959/U	<b>6775*</b>	
<b>55, 58, 141, 142, 223, 400</b>	Clamp	Solder	1.06(27.0)	.562(14.3)	.224(5.7)	C25	P1	D1	UG-88C/U	<b>31-202*</b>	
	Clamp	Solder	1.06(27.0)	.563(14.3)	.221(5.6)	C25	P1	D1	UG88E/U	<b>31-3202*</b>	
<b>58, 141, 142, 400</b>	Clamp	Solder	.969(24.6)	.563(14.3)	.212(5.38)	C25	P1	D1	UG-88/U	<b>31-2*</b>	
	Clamp	Solder	1.07(27.2)	.571(14.5)	.212(5.38)	C25	P7	D23	—	<b>31-2-RFX</b>	
	Clamp	Solder	1.06(27.0)	.563(14.3)	.224(5.7)	C25	P33	D1	M39012/16-0101	<b>31-3301*</b>	
<b>59, 62, 71, 140, 210, 302</b>	Clamp	Solder	1.10(27.9)	.562(14.3)	.255(6.5)	C25	P1	D1	UG260B/U	<b>31-212*</b>	
	Clamp	Solder	1.07(27.2)	.571(14.5)	.256(6.5)	C25	P7	D23	—	<b>31-212-RFX</b>	
	Clamp	Solder	1.06(27.0)	.563(14.3)	.255(6.5)	C25	P33	D1	M39012/16-0102	<b>31-3302*</b>	
<b>59 (20GA CC)</b>	Clamp	Solder	1.06(27.0)	.563(14.3)	.255(6.48)	C25	P1	D1	—	<b>31-212-1005</b>	
<b>122</b>	Clamp	Solder	1.06(27.0)	.563(14.3)	.177(4.5)	C25	P1	D1	UG1033/U	<b>84975*</b>	
<b>174, 179, 187, 188, 316</b>	Clamp	Solder	1.06(27.0)	.563(14.3)	.116(2.9)	C25	P1	D1	—	<b>69475*</b>	
<b>178, 196</b>	Clamp	Solder	1.00(25.4)	.563(14.3)	.094(2.39)	C25	P1	D9	—	<b>15875*</b>	
<b>180</b>	Clamp	Solder	1.00(25.4)	.563(14.3)	.150(3.81)	C25	P1	D9	—	<b>16300*</b>	

"b" dimension is body O.D. • accommodates cable diameter ▲ distributor stocked \* recognized under the component program of U.L., Inc.  
■ includes outer ferrule