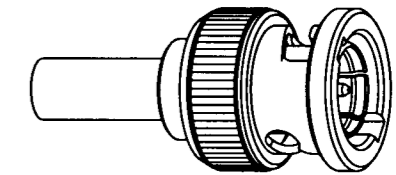


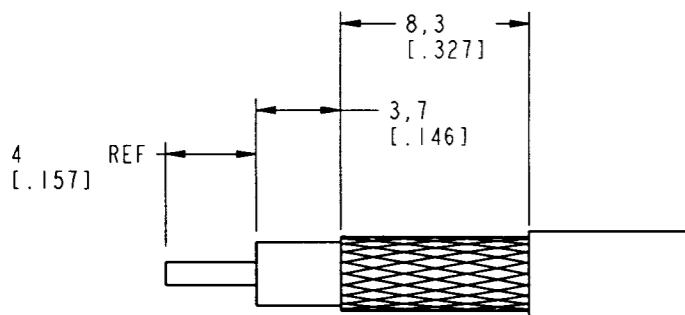
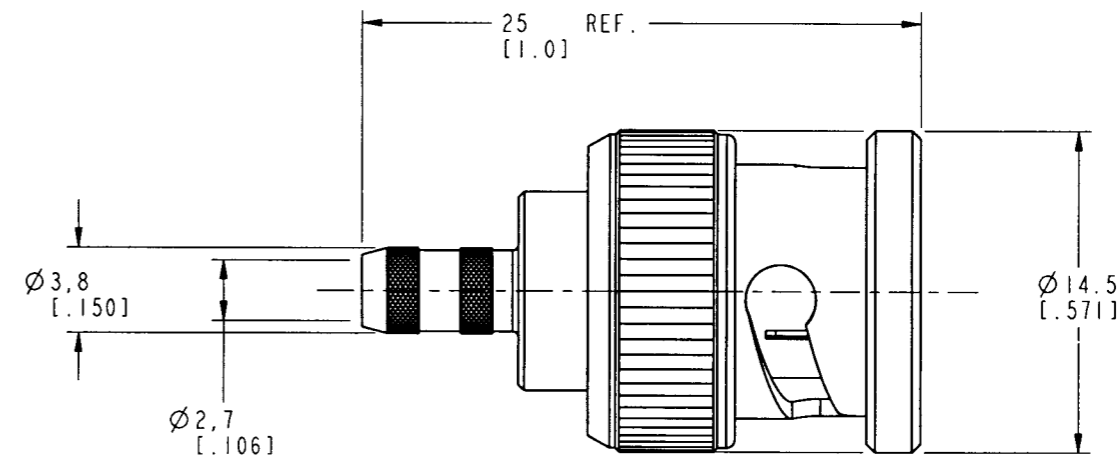
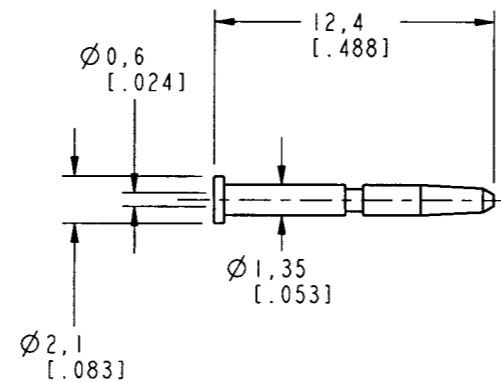
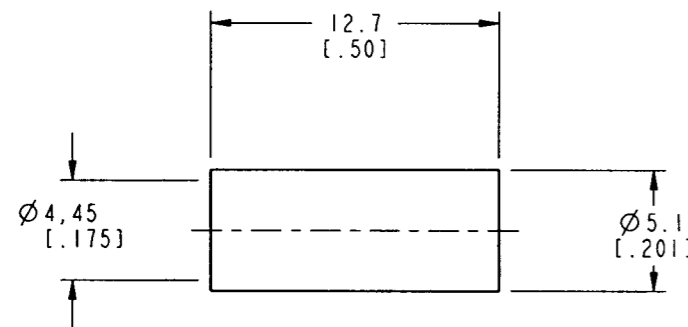
NOTES:

- MATERIALS OF CONSTRUCTION:
 SHELL, BODY, FERRULE & RETAINER RING = BRASS (QQ-B-626), NICKEL PLATED
 CONTACT PIN = BRASS (QQ-B-626), GOLD PLATED
 WASHER = BRASS (QQ-B-613), NICKEL PLATED
 SPRING = COPPER, NICKEL PLATED
 INSULATOR = TEFLON PER MIL-P-19468
 GASKET = SILICONE RUBBER, COLOR RED
- CRIMPED FERRULE: HEX CRIMP SIZE .178
 CRIMPED CONTACT PIN: SQ. CRIMP SIZE .042

31-70236		REVISIONS			
DRAWING NO.	REV	DESCRIPTION	DATE	ECO	APPR
THIRD ANGLE PROJ.	A	RELEASE TO MFG.	4/13/00	433/2	CPM



SCALE 1.500



RECOMMENDED CABLE STRIPPING DIM'S.
SCALE 3.000

CUSTOMER OUTLINE DRAWING
FOR REFERENCE ONLY

UNLESS OTHERWISE SPECIFIED, DIMENSIONS ARE IN INCHES AND TOLERANCES ARE: 0.5 - 6mm ±0.2mm 6 - 30mm ±0.4mm 30 - 120mm ±0.6mm	MATERIAL	DRAWN C. McGRATH	DATE 03-Apr-00	TITLE BNC CRIMP PLUG	Amphenol Amphenol Corporation Communication and Network Products Division Danbury, CT U.S.A. 06810
	REFERENCE EAR 967497-0 GEN# ASSYM3_BNC75	ENGINEER T. AUBIN	DATE 03-Apr-00	APPROVED 	
NOTICE - These drawings, specifications, or other data (1) are, and remain the property of Amphenol Corp. (2) must be returned upon request; and (3) are confidential and not to be disclosed to any person other than those to whom they are given by Amphenol Corp. The furnishing of these drawings, specifications, or other data by Amphenol Corp., or to any other person to anyone for any purpose is not to be regarded by implication or otherwise in any manner licensing, granting rights or permitting such holder or any other person to manufacture, use or sell any product, process or design, patented or otherwise, that may in any way be related to or disclosed by said drawings, specifications, or other data.		CAD FILE I:\BNC75\31-70236	CODE ID 74868	DWG SIZE B	DRAWING NO. 31-70236
					SCALE: 3.0:1 SHEET 2 OF 2
					REV A