

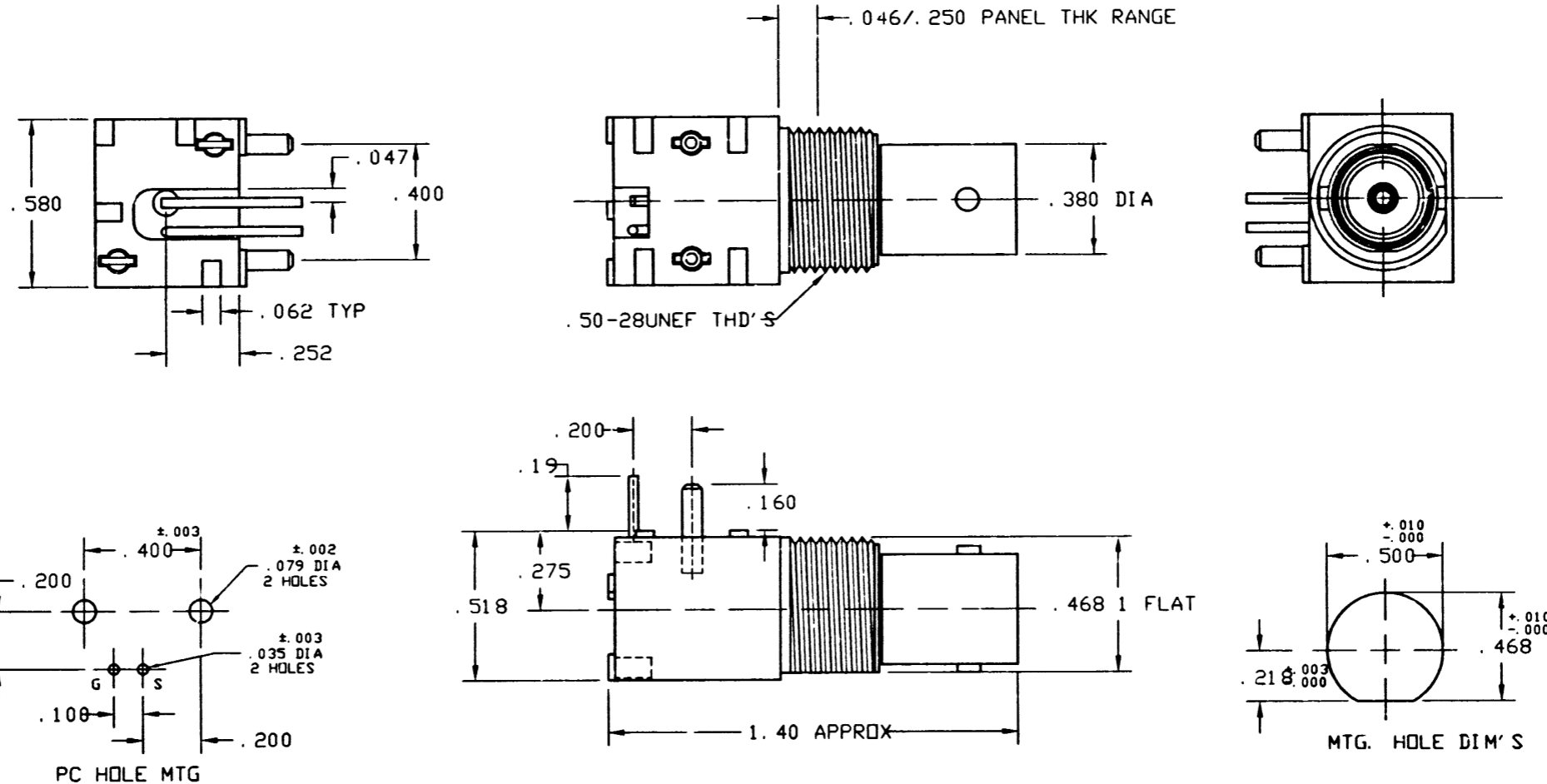
NOTES:

- DO NOT SCALE THIS DRAWING.
- UNLESS OTHERWISE SPECIFIED, ALL DIMENSIONS ARE AFTER PLATING.
- MATERIAL: OUTER INSULATOR CASING - BLACK VALOX
INSULATOR - WHITE NORYL
CENTER CONTACT - GOLD PLATED PHOSPHOR BRONZE
BODY - NICKEL PLATED ZINC CASTING
MOUNTING PINS - TIN PLATED BRASS
TERMINALS - TIN PLATED COPPER WIRE
- WHEN ASSEMBLING TO PANEL, MOUNTING HARDWARE (SEPARATELY SUPPLIED) MUST BE TIGHTENED TO 10 IN LBS MIN, 15 IN LBS MAX.

31-71053

REVISIONS

DRAWING NO.	REV	DESCRIPTION	DATE	ECO	APPR
THIRD ANGLE PROJ.	A	RELEASE TO MFG.	5/20/98	42490	CPH/DR



CUSTOMER OUTLINE DRAWING

UNLESS OTHERWISE SPECIFIED, DIMENSIONS ARE IN INCHES AND TOLERANCES ARE:
 2 PLACE DECIMAL ±.015 (0,381 mm)
 3 PLACE DECIMAL ±.005 (0,127 mm)
 ANGLES ± 1°

NOTICE - These drawings, specifications, or other data (1) are, and remain the property of Amphenol Corp. (2) must be returned upon request, and (3) are confidential and not to be disclosed to any person other than those to whom they are given by Amphenol Corp. The furnishing of these drawings, specifications, or other data by Amphenol Corp., or to any other person for any purpose is not to be regarded by implication or otherwise in any manner licensing, granting rights or permitting such holder or any other person to manufacture, use or sell any product, process or design, patented or otherwise, that may in any way be related to or disclosed by said drawings, specifications, or other data.

MATERIAL

REFERENCE
 EAR 966982-0

DRAWN
 C. McGRATH
 ENGINEER
 D. ROYCE
 APPROVED
 CAD FILE
 H:\DEPT611\BNC\031\ASSY\71053SH2.DWG

DATE
 5/13/98
 DATE
 5/13/98
 DATE
 5/12/98

TITLE
 BNC JACK 75 OHM
 R/ANGLE MOUNT
 PCB RECEPTACLE
 LOW PROFILE BLACK

Amphenol
 Amphenol Corporation
 RF/Microwave Operations
 Danbury, Conn. U.S.A. 06810

SCALE: 2:1 SHEET 2 OF 2

CODE ID 74868 DWG SIZE B DRAWING NO. 31-71053 ISSUE A