

NOTES:

1. MATERIALS AND FINISHES:

- BODY - PHOSPHOR BRONZE, NICKEL PLATING (.0001 THICK)
- CONTACT - BRASS, GOLD PLATING (.00003 THICK)
- FERRULE - BRASS, NICKEL PLATING (.0001 THICK)
- INSULATOR - PTFE

2. ELECTRICAL:

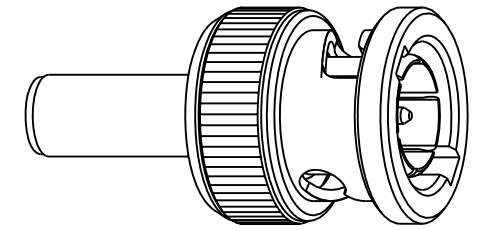
- A. IMPEDANCE: 75 OHM
- B. FREQUENCY RANGE: DC - 4 GHz
- C. VSWR(RETURN LOSS): 1.3 MAX.
- D. DIELECTRIC WITHSTANDING VOLTAGE: 1500 VRMS, MIN.

3. MECHANICAL:

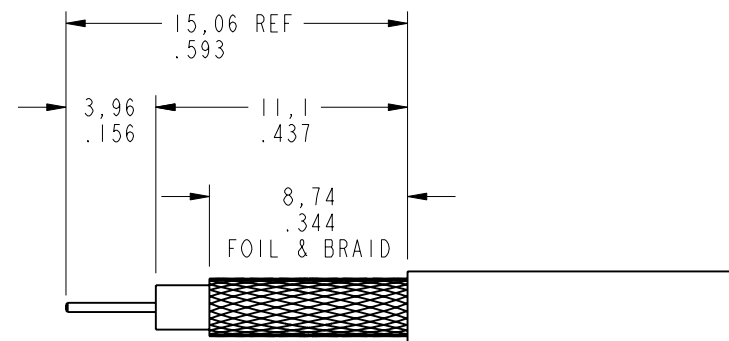
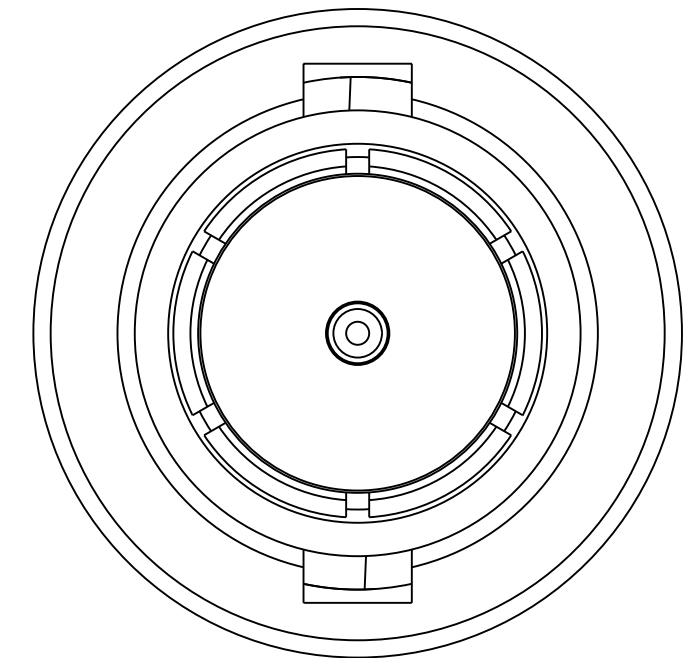
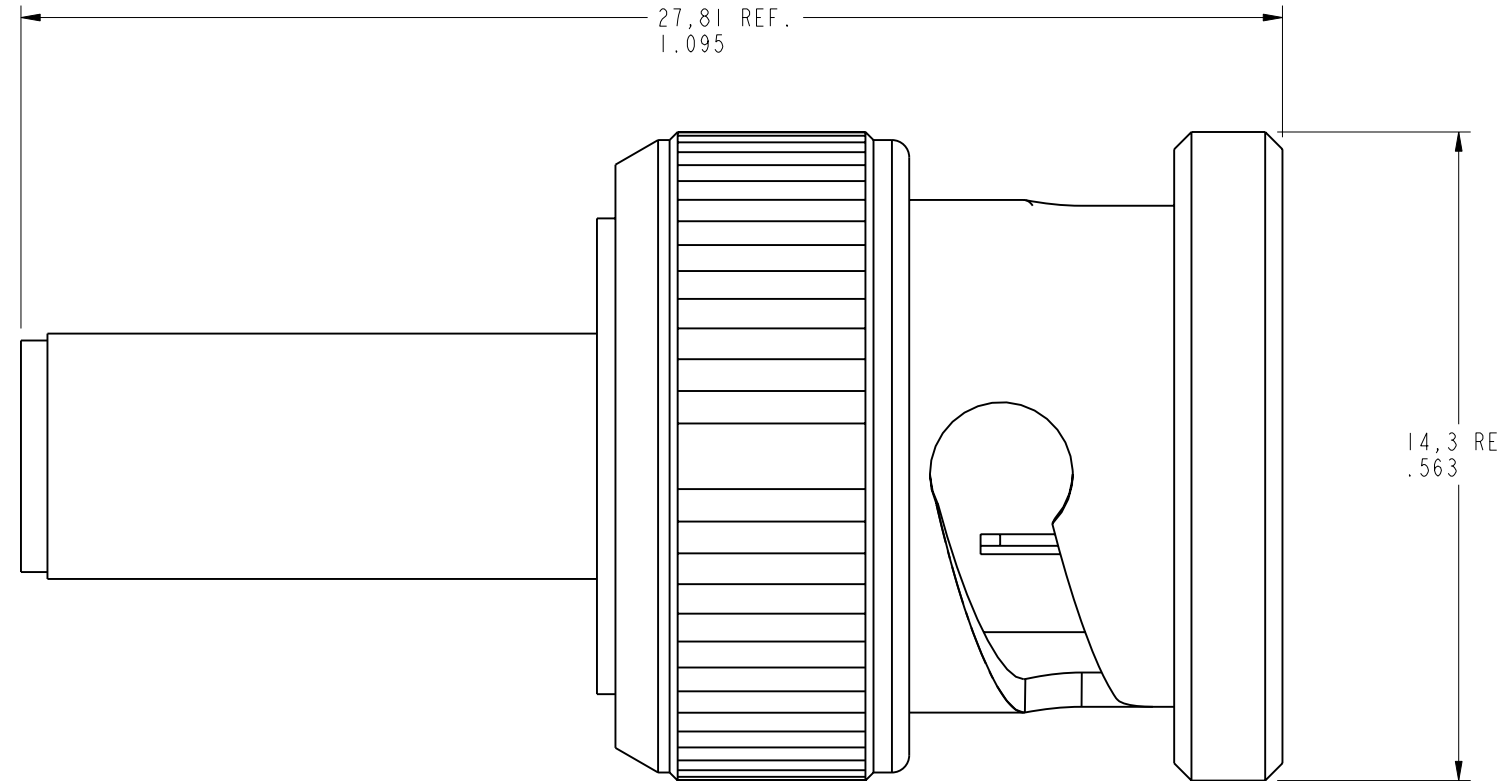
- A. DURABILITY: 500 CYCLES MIN.
- B. TEMPERATURE RANGE: -65° C TO +165° C

4. FERRULE TO BE CRIMPED WITH A .178 HEX DIE.
CONTACT TO BE CRIMPED WITH A .042 SQUARE DIE
OR A 8 PT CRIMPER AMPHENOL NUMBER 227-T1200

31-80105		REVISIONS			
DRAWING NO.	REV	DESCRIPTION	DATE	ECO	APPR
THIRD ANGLE PROJ.	A	RELEASE TO MFG	4/11/05	45903	GSA
	B	SEE SHEET 1	6/13/05	45579	GSA
	C	SEE SHEET 1	2/9/06	45903	GSA
	D	NOTE 4 SHT 2 'OR A 12 POINT CENTER CONTACT INDENTOR TOOL'	5/11/06	46083	CPM
	E	NOTE '8 PT CRIMPER AMPHENOL NUMBER CTL-T1200'	8/6/07	46681	TC
	F	227-T1200 WAS CTL-T1200	7/30/08	47155	JL



SCALE 2.000



RECOMMENDED CABLE STRIPPING DIMENSIONS

SCALE 3.000

STAMP: APH 74868 31-80105 XXXX

DATE CODE

CUSTOMER OUTLINE DRAWING

ALL OTHER SHEETS ARE FOR INTERNAL USE ONLY

UNLESS OTHERWISE SPECIFIED, DIMENSIONS ARE IN INCHES AND TOLERANCES ARE: 2 PLACE DECIMAL ±.015 (0,381 mm) 3 PLACE DECIMAL ±.005 (0,127 mm) ANGLES ± 1°	MATERIAL	DRAWN G. ANTONINI	DATE 03-MAR-05	TITLE 75 OHM BNC PLUG FOR AT&T 735A CABLE		Amphenol RF Danbury, CT, USA Tainan, Taiwan Shenzhen, China www.amphenolrf.com	
	REFERENCE	ENGINEER G. ANTONINI	DATE 03-MAR-05				
NOTICE - These drawings, specifications, or other data (1) are, and remain the property of Amphenol Corp. (2) must be returned upon request; and (3) are confidential and not to be disclosed to any person other than those to whom they are given by Amphenol Corp. The furnishing of these drawings, specifications, or other data by Amphenol Corp., or to any other person to anyone for any purpose is not to be regarded by implication or otherwise in any manner licensing, granting rights or permitting such holder or any other person to manufacture, use or sell any product, process or design, patented or otherwise, that may in any way be related to or disclosed by said drawings, specifications, or other data.		APPROVED O. BARTHELME	DATE 4/11/05	CODE ID 74868	DWG SIZE B	DRAWING NO. 31-80105	REV F
						SCALE: 6.0:1	SHEET 2 OF 2