

THIRD ANGLE PROJ.		REVISIONS	
REV	DESCRIPTION	DATE	APPR
A	RELEASE TO MFG.	--	49135 MG
B	UNDERCUT REMOVED.	08-Jan-13	49337 SH

1. MATERIALS AND FINISHES:
 BODY - BRASS, NICKEL PLATING
 CONTACT - BeCu, GOLD PLATING
 FERRULE - COPPER, NICKEL PLATING
 INSULATOR - PTFE

2. ELECTRICAL:
 A. IMPEDANCE: 75 OHM
 B. FREQUENCY RANGE: DC - 4 GHz
 C. RETURN LOSS: 30 dB MIN @ 3 GHz

3. MECHANICAL:
 A. DURABILITY: 500 CYCLES MIN.
 B. TEMPERATURE RANGE: -65° C TO +165° C

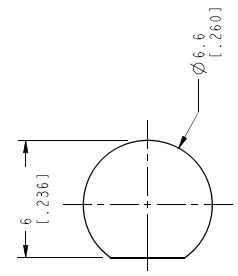
4. ENVIRONMENTAL:
 A. THERMAL SHOCK PER MIL-STD-202 METHOD 107
 B. VIBRATION: MIL-STD-202 METHOD 204 TEST CONDITION B
 C. SHOCK: MIL-STD-202 METHOD 213 TEST CONDITION B
 D. CORROSION: MIL-STD-202 METHOD 101 TEST CONDITION B 5% SALT SOLUTION.

5. PACKAGING:
 A. QUANTITY: SINGLE PACK
 B. MARKING: BAG TO BE MARKED:
 "AMPHENOL REF. 34-1053 DATE CODE"

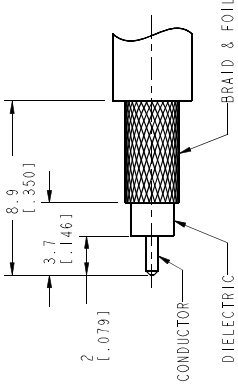
6. AMPHENOL SPANNER WRENCH 227-1490 REQUIRED TO MOUNT CONNECTOR TO PANEL.

7. CABLE ASSEMBLY INSTRUCTIONS:
 A. TRIM CABLE AS SHOWN.
 B. SOLDER CONTACT TO CABLE CENTER CONDUCTOR
 C. CRIMP FERRULE WITH .128" HEX.

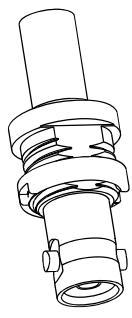
△ SHOWS CABLE ENTRY DIMENSIONS.



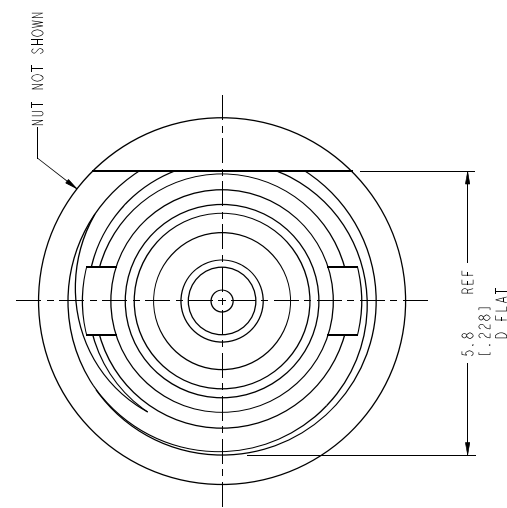
RECOMMENDED PANEL CUTOUT DIMENSIONS



SCALE 4.000
 RECOMMENDED CABLE STRIPPING DIMENSIONS

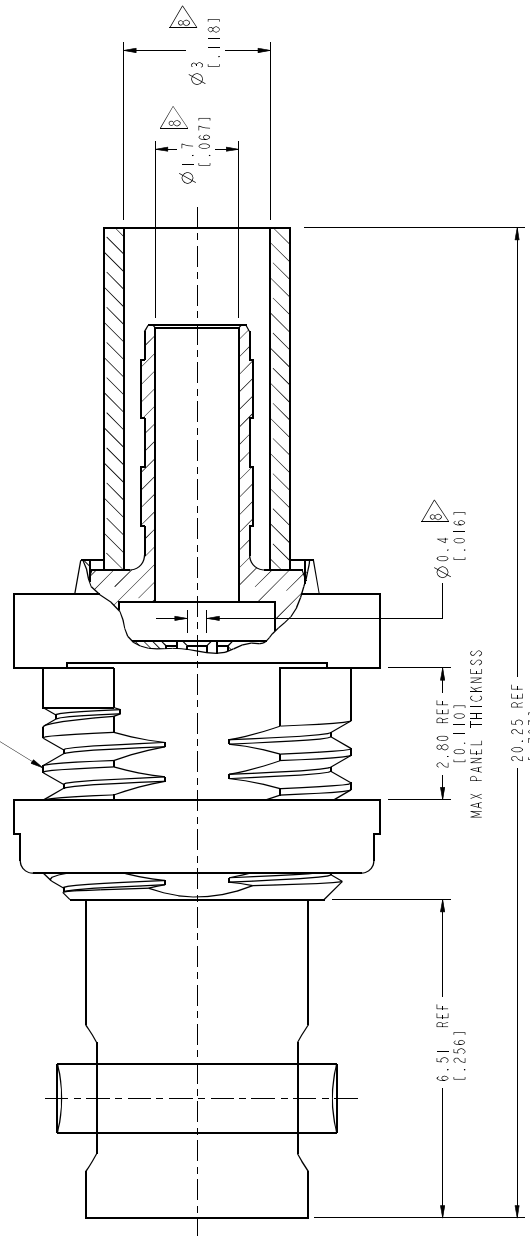


SCALE 3.000



NUT NOT SHOWN

1/4-36-UNS-2A THREAD



CUSTOMER OUTLINE DRAWING
 ALL OTHER SHEETS ARE FOR INTERNAL USE ONLY

MATERIAL		TITLE	
DRAWN T.DENG	DATE 08-Jan-13	HD-BNC STR BHD JACK FOR BELDEN 179DT/	Amphenol RF www.amphenolrf.com
ENGINEER A. ARUN PRABU	DATE 08-Feb-12	RG 179 CABLE	DRAWING NO. 34-1053
APPROVED S.HSIEH	DATE 08-Jan-13	SHEET 2 OF 2	ITEM NO. 34-1053
CONFIGURATION LEVEL: CAD FILE	DWG SIZE B	REV B	PART NO. 34-1053

UNLESS OTHERWISE SPECIFIED, DIMENSIONS ARE IN METRIC AND TOLERANCES ARE:
 < 0.5mm ±0.1mm
 0.5 - 6mm ±0.2mm
 6 - 30mm ±0.3mm
 30 - 120mm ±0.5mm
 ANGLES 30° ±1°

NOTICE - These drawings, specifications, or other data (1) are, and remain the property of Amphenol Corp. (2) must be returned upon request; and (3) are confidential and not to be disclosed to any person other than those to whom they are intended. Amphenol Corp., or to any other person for any purpose is not to be regarded by implication or otherwise in any manner licensing, granting rights to permitting such holder or any other person to manufacture, use or sell any product, process or design, patented or otherwise, that may in any way be related to or disclosed by said drawings, specifications, or other data.