

NOTES:

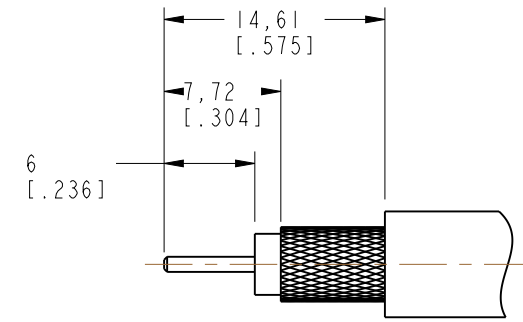
1. MATERIALS AND FINISHES:  
 BODY, RETAINING RING, WASHER,  
 FERRULE AND BAYONET SLEEVE - BRASS, NICKEL PLATING  
 OUTER CONTACT - BeCu, NICKEL PLATING  
 CONTACT - PHOSPHOR BRONZE, GOLD PLATING  
 INSULATORS - PTFE, NATURAL  
 SPRING - STAINLESS STEEL, PASSIVATED  
 GASKET - FLUOROSILICONE, BLACK
2. ELECTRICAL:  
 A. IMPEDANCE: 75 OHM  
 B. FREQUENCY RANGE: DC - 18 GHz  
 C. RETURN LOSS: 20 dB MIN @ DC - 6 GHz  
 15 dB MIN @ 6 - 12 GHz  
 D. DIELECTRIC WITHSTANDING VOLTAGE: 1000 VRMS, MIN.  
 E. INSULATION RESISTANCE: 10,000 MΩ MIN
3. MECHANICAL:  
 A. DURABILITY: 500 CYCLES MIN.  
 B. TEMPERATURE RANGE: -30° C TO +85° C

4. ENVIRONMENTAL:  
 A. THERMAL SHOCK PER MIL-STD-202 METHOD 107  
 TEST CONDITION B (EXCEPT HIGH TEMP @200°C)  
 B. VIBRATION: MIL-STD-202 METHOD 204 TEST CONDITION B  
 C. SHOCK: MIL-STD-202 METHOD 213 TEST CONDITION B  
 D. CORROSION: MIL-STD-202 METHOD 101  
 TEST CONDITION B 5% SALT SOLUTION
5. PACKAGING:  
 A. QUANTITY: SINGLE PACK  
 B. MARKING: BAG TO BE MARKED:  
 "AMPHENOL RF, 34-1128-12G DATE CODE  
 U.S. PATENT NO. 7,553,177"
6. HIGH DENSITY INSTALLATION/REMOVAL TOOL: 227-T2000-1694A.
7. CABLE ASSEMBLY INSTRUCTIONS:  
 A. TRIM CABLE AS SHOWN.  
 B. CRIMP CONTACT TO CABLE CENTER CONDUCTOR  
 WITH .042" SQUARE DIE  
 C. CRIMP FERRULE WITH .255" HEX

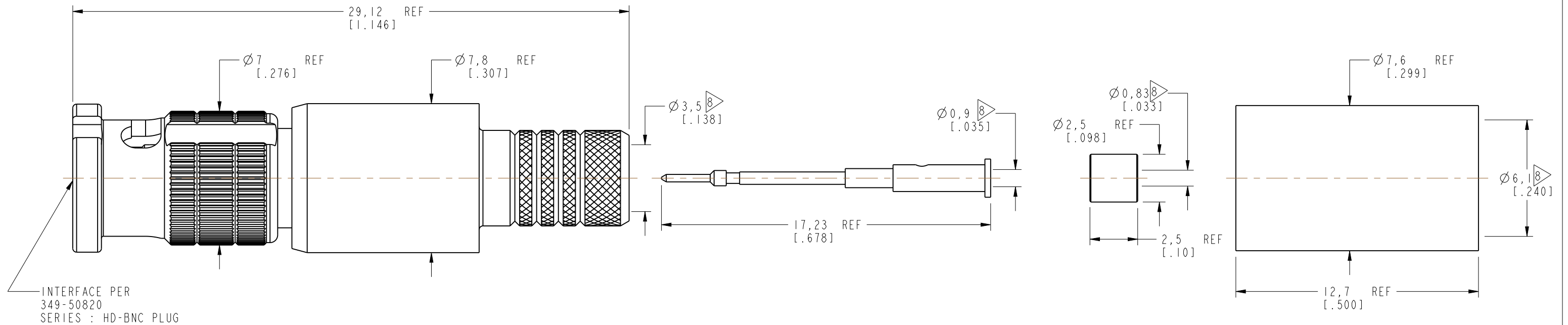
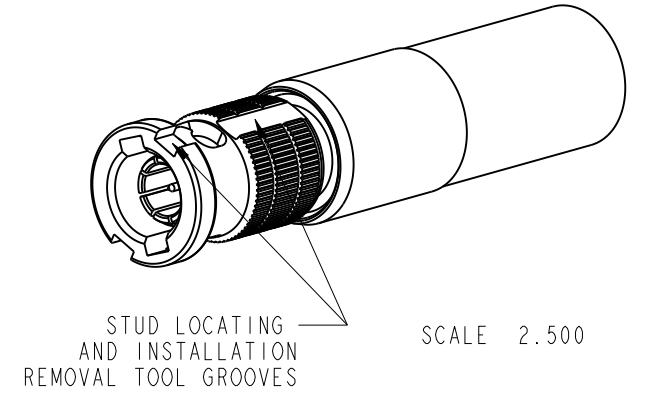
8. SHOWS CABLE ENTRY DIMENSIONS.

THIRD ANGLE PROJ.

		REVISIONS		
REV	DESCRIPTION	DATE	ECN	APPR
A	RELEASE TO MFG.	24-Sep-18	09442	SV



RECOMMENDED CABLE STRIPPING DIMENSIONS



INTERFACE PER  
 349-50820  
 SERIES : HD-BNC PLUG

PROTECTED UNDER U.S. PATENT # 7,553,177

**CUSTOMER OUTLINE DRAWING**  
 ALL OTHER SHEETS ARE FOR INTERNAL USE ONLY

UNLESS OTHERWISE SPECIFIED, DIMENSIONS ARE IN METRIC AND TOLERANCES ARE: <0.5mm ±0.05mm    0.5 - 6mm ±0.1mm    6 - 30mm ±0.2mm    30 - 120mm ±0.3mm    ANGLES ±1°	MATERIAL SEE NOTES	DRAWN S.VO	DATE 12-Jun-18	TITLE HD-BNC STR PLUG FOR CANARE L3.3CUHD CABLE	Amphenol RF www.amphenolrf.com
	REFERENCE EAR# 8258 REF: --	ENGINEER S.VO	DATE 12-Jun-18		
NOTICE - These drawings, specifications, or other data (1) are, and remain the property of Amphenol corp. (2) must be returned upon request; and (3) are confidential and not to be disclosed to any person other than those to whom they are given by Amphenol Corp. the furnishing of these drawings, specifications, or other data by Amphenol Corp., or to any other person to anyone for any purpose is not to be regarded by implication or otherwise in any manner licensing, granting rights to permitting such holder or any other person to manufacture, use or sell any product, process or design, patented or otherwise, that may in any way be related to or disclosed by said drawings, specifications, or other data.	CONFIGURATION LEVEL: In Work	APPROVED	DATE	SCALE: 5.0:1.0 SHEET 2 OF 2	ITEM NO. 34-1128-12G
	FINISH	CAD FILE	DWG SIZE B	REV A	PART NO. 34-1128-12G