

THIRD ANGLE PROJ.	REVISIONS
REV A	DESCRIPTION RELEASE TO MFG.
	DATE 05-Apr-13
	ECO 49282
	APPR FW

1. MATERIALS AND FINISHES:
 BODY AND BAYONET SLEEVE - BRASS, NICKEL PLATING
 OUTER CONTACT - BeCu, NICKEL PLATING
 CONTACT - PHOSPHOR BRONZE, GOLD PLATING
 FERRULE - COPPER, NICKEL PLATING
 INSULATOR - PTFE

2. ELECTRICAL:
 A. IMPEDANCE: 50 OHM
 B. FREQUENCY RANGE: DC - 6 GHz
 C. VSWR: 1.12 MAX @ DC-3 GHz
 D. DIELECTRIC WITHSTANDING VOLTAGE: 500 VRMS, MIN.
 E. INSULATION RESISTANCE: 10,000 MΩ MIN

3. MECHANICAL:
 A. DURABILITY: 500 CYCLES MIN.
 B. TEMPERATURE RANGE: -65° C TO +165° C

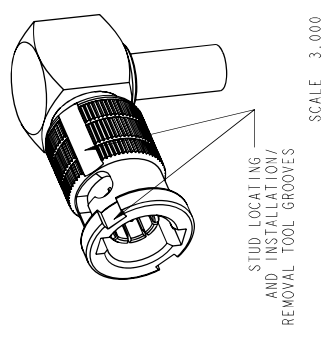
4. ENVIRONMENTAL:
 A. THERMAL SHOCK PER MIL-STD-202 METHOD 107 TEST CONDITION B (EXCEPT HIGH TEMP @200°C)
 B. VIBRATION: MIL-STD-202 METHOD 204 TEST CONDITION B
 C. SHOCK: MIL-STD-202 METHOD 213 TEST CONDITION B
 D. CORROSION: MIL-STD-202 METHOD 101 TEST CONDITION B 5% SALT SOLUTION

5. PACKAGING:
 A. QUANTITY: SINGLE PACK
 B. MARKING: BAG TO BE MARKED:
 "AMPHENOL REF. 34-5012, DATE CODE
 U.S. PATENT NO. 7,553,177"

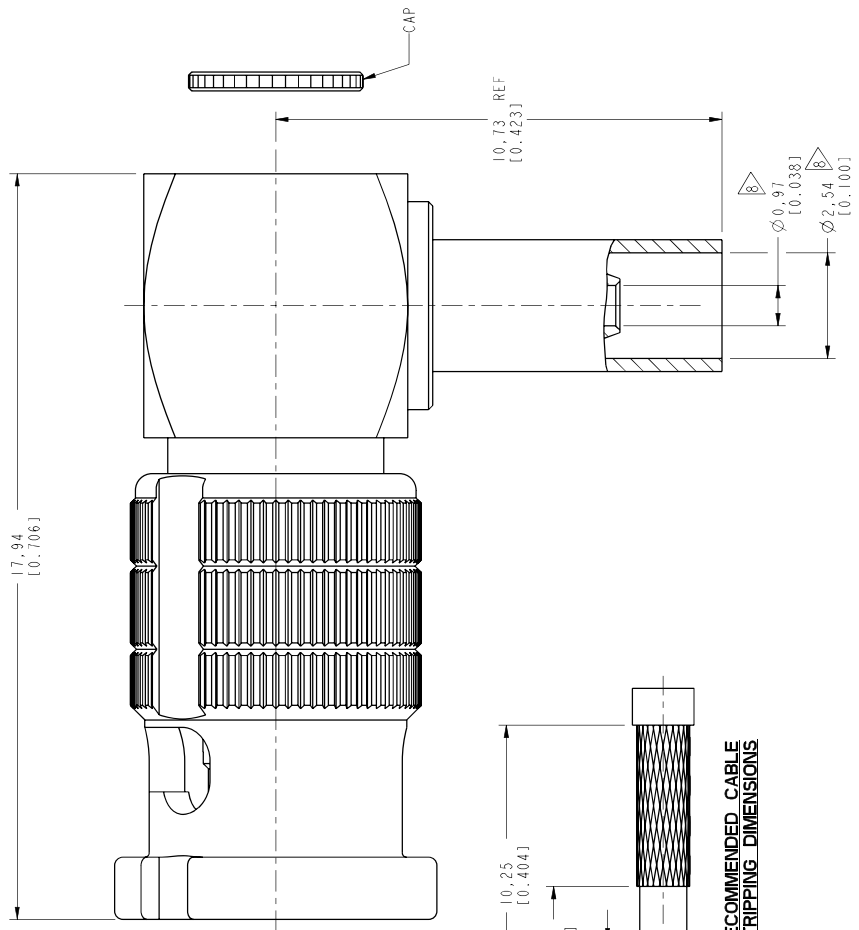
6. HIGH DENSITY INSTALLATION/REMOVAL TOOL: 227-T2000

7. CABLE ASSEMBLY INSTRUCTIONS:
 A. TRIM CABLE AS SHOWN
 B. SOLDER CONTACT TO CABLE CENTER CONDUCTOR
 C. CRIMP FERRULE WITH 0.105" HEX.
 D. PRESS CAP FLUSH.

△ SHOWS CABLE ENTRY DIMENSIONS.



STUD LOCATING AND INSTALLATION/REMOVAL TOOL GROOVES
 SCALE 3:000



RECOMMENDED CABLE STRIPPING DIMENSIONS

PROTECTED UNDER U.S. PATENT # 7,553,177

UNLESS OTHERWISE SPECIFIED, DIMENSIONS ARE IN METRIC AND TOLERANCES ARE: $\pm 0.5mm$ 0.5 - 6mm $\pm 0.1mm$ 6 - 30mm $\pm 0.2mm$ 30 - 120mm ANGLES $\pm 0.3mm$	MATERIAL SEE NOTES	DRAWN F. WANG	DATE 05-Apr-13	TITLE 50 OHM HD-BNC RA PLUG FOR RG 178 CABLE	Amphenol RF www.amphenolrf.com
NOTICE - These drawings, specifications, or other data (1) are, and remain the property of Amphenol Corp. (2) must be returned upon request, and (3) are confidential and not to be disclosed to any person other than those to whom they are intended. All rights are reserved. Amphenol and the Amphenol logo are trademarks of Amphenol Corp., or to any other person to whom they are disclosed for any purpose is not to be regarded by implication or otherwise in any manner, licensing, granting rights to permitting such holder or any other person to manufacture, use or sell any product, process or design, patented or otherwise, that may in any way be related to or disclosed by said drawings, specifications, or other data.	REFERENCE EAR # 4505 CONFIGURATION LEVEL: □□□□	ENGINEER A. ARUN PRABU	DATE 10-May-11	SCALE: 8.5:1.0 SHEET 2 OF 2 DWG SIZE B	DRAWING NO. 34-5012
	FINISH	APPROVED H. HE	DATE 10-Apr-13	REV A	PART NO. 34-5012

CUSTOMER OUTLINE DRAWING
 ALL OTHER SHEETS ARE FOR INTERNAL USE ONLY