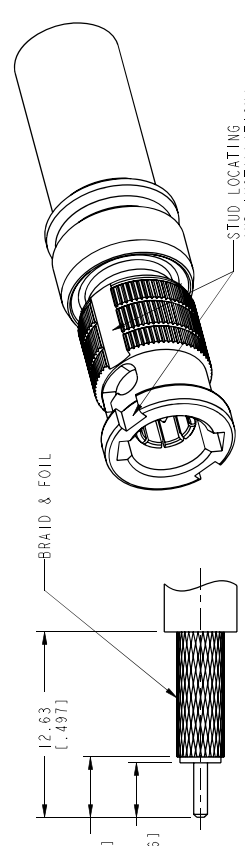


THIRD ANGLE PROJ.	REV	DESCRIPTION	DATE	ECO	APPR
	A	RELEASE TO MFG.	10-Oct-12	49202	TD

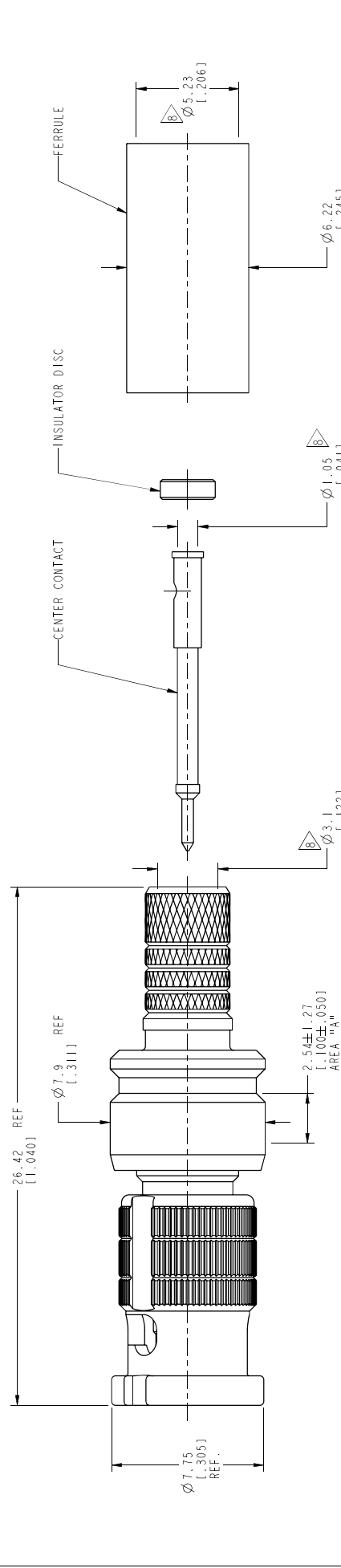
REV	DESCRIPTION	DATE	ECO	APPR
A	RELEASE TO MFG.	10-Oct-12	49202	TD

NOTES:

- MATERIALS AND FINISHES:
BODY AND BAYONET SLEEVE - BRASS, NICKEL PLATING
OUTER CONTACT - BeCu, NICKEL PLATING
CONTACT - PHOSPHOR BRONZE, GOLD PLATING
FERRULE - COPPER, NICKEL PLATING
INSULATOR - PTFE
- ELECTRICAL:
A. IMPEDANCE : 50 OHM
B. FREQUENCY RANGE : DC - 6 GHz
C. RETURN LOSS : 30 dB MIN FROM DC - 3 GHz
- MECHANICAL:
A. DURABILITY : 500 CYCLES MIN.
- ENVIRONMENTAL:
A. THERMAL SHOCK PER MIL-STD-202 METHOD 107
TEST CONDITION B (EXCEPT HIGH TEMP @200°C)
B. VIBRATION: MIL-STD-202 METHOD 204 TEST
CONDITION B
C. SHOCK: MIL-STD-202 METHOD 213 TEST
CONDITION B
D. CORROSION: MIL-STD-202 METHOD 101
TEST CONDITION B 5% SALT SOLUTION
E. SEALING: IP-67 IN MATED CONDITION
- PACKAGING:
A. QUANTITY: SINGLE PACK
B. MARKING: BAG TO BE MARKED:
"AMPHENOL RF, 34-5017 DATE CODE"
- HIGH DENSITY INSTALLATION/REMOVAL TOOL: 227-T2000
- CABLE ASSEMBLY INSTRUCTIONS:
A. TRIM CABLE AS SHOWN.
B. SLIDE INSULATOR DISC ONTO CABLE.
C. SOLDER CONTACT AND CABLE INTO CONNECTOR.
D. INSERT CONTACT BOTTOMS INSIDE OF CONNECTOR.
E. UNTIL CONTACT BOTTOMS TOUCH FERRULE.
F. CRIMP FERRULE WITH .213" HEX.
G. APPLY HEAT SHRINK TUBING OVER FERRULE.
H. HEAT SHRINK TUBING SHOULD FULLY (360 DEG) COVER THE BUMP ON BODY AND END WITHIN AREA "A"
- SHOWS CABLE ENTRY DIMENSIONS.
- ADHESIVE LINED HEAT SHRINK TUBE IS INCLUDED (NOT SHOWN)



RECOMMENDED CABLE STRIPPING DIMENSIONS



CUSTOMER OUTLINE DRAWING
ALL OTHER SHEETS ARE FOR INTERNAL USE ONLY

UNLESS OTHERWISE SPECIFIED, DIMENSIONS ARE IN METRIC AND TOLERANCES ARE: ± 0.5mm 0.5 - 6mm ± 0.1mm 6 - 30mm ± 0.2mm 30 - 120mm ANGLES ± 0.5mm	MATERIAL	DATE	TITLE
SEE NOTES	T.DENG	10-Oct-12	50 OHM HD BNC STR PLUG
REFERENCE	ENGINEER	DATE	FOR LMR 195-UF CABLE
EAR # 5027	T. SMITH	16-Nov-11	IP-67 IN MATED CONDITION
CONFIGURATION LEVEL:	APPROVED	DATE	SCALE: 5.0:1.0
FINISH	S.HSIEH	10-Oct-12	SHEET 2 OF 2
	CAD FILE	DWG SIZE	REV
		B	A
			Amphenol RF
			www.amphenolrf.com
			DRAWING NO. 34-5017
			ITEM NO. 34-5017
			PART NO. 34-5017