

REV	DESCRIPTION	DATE	ECO	APPR
A	RELEASE TO MFG.	03-Apr-13	49282	FW

THIRD ANGLE PROJ.

REVISIONS

1. MATERIALS AND FINISHES:  
 OUTER CONTACT - BeCu, NICKEL PLATING  
 REAR BODY - BRASS, GOLD PLATING  
 CONTACT - PHOSPHOR BRONZE, GOLD PLATING  
 BAYONET SLEEVE - BRASS, NICKEL PLATING  
 INSULATOR - PTFE

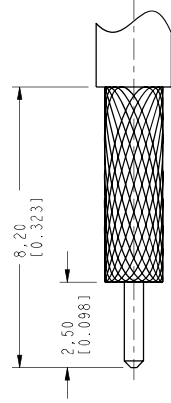
2. ELECTRICAL:  
 A. IMPEDANCE: 50 OHM  
 B. FREQUENCY RANGE: DC - 6 GHz  
 C. RETURN LOSS: 30 dB MIN @ 6 GHz  
 D. DIELECTRIC WITHSTANDING VOLTAGE: 1000 VRMS, MIN.  
 E. INSULATION RESISTANCE: 10,000 MΩ MIN

3. MECHANICAL:  
 A. DURABILITY: 500 CYCLES MIN.  
 B. TEMPERATURE RANGE: -65° C TO +165° C

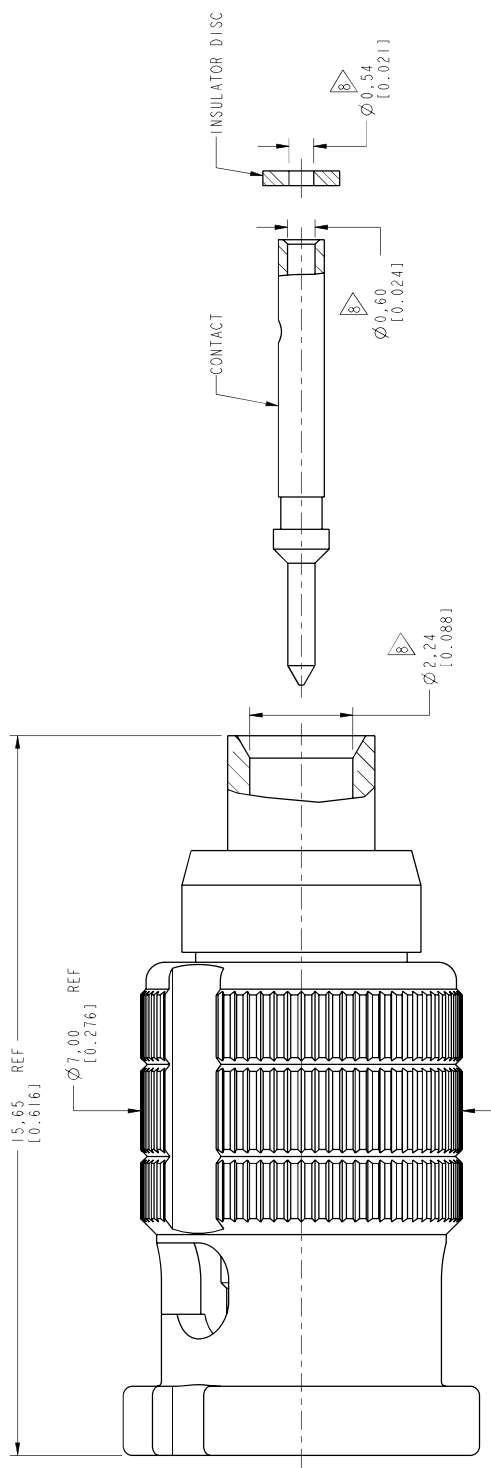
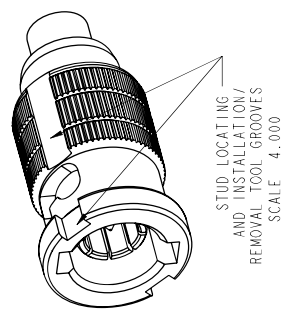
4. ENVIRONMENTAL:  
 A. THERMAL SHOCK PER MIL-STD-202 METHOD 107  
 TEST CONDITION B (EXCEPT HIGH TEMP @200° C)  
 B. VIBRATION: MIL-STD-202 METHOD 204 TEST CONDITION B  
 C. SHOCK: MIL-STD-202 METHOD 213 TEST CONDITION B  
 D. CORROSION: MIL-STD-202 METHOD 101  
 TEST CONDITION B 5% SALT SOLUTION

5. PACKAGING:  
 A. QUANTITY: SINGLE PACK  
 B. MARKING: BAG TO BE MARKED:  
 "AMPHENOL REF. 34-5026 DATE CODE  
 U.S. PATENT NO. 7,553,177"
6. HIGH DENSITY INSTALLATION/REMOVAL TOOL: 227-T2000
7. CABLE ASSEMBLY INSTRUCTIONS:  
 A. TRIM CABLE AS SHOWN  
 B. SLIDE SPACER OVER THE CABLE CENTER CONDUCTOR  
 C. SOLDER CENTER CONTACT TO CABLE CENTER CONDUCTOR  
 D. SOLDER OUTER CONDUCTOR OF CABLE TO REAR BODY

⚠ SHOWS CABLE ENTRY DIMENSIONS.



**RECOMMENDED CABLE STRIPPING DIMENSIONS**



**PROTECTED UNDER U.S. PATENT # 7,553,177**

**CUSTOMER OUTLINE DRAWING**  
 ALL OTHER SHEETS ARE FOR INTERNAL USE ONLY

MATERIAL		DRAWN	DATE	TITLE	
SEE NOTES		F. WANG	20-Jul-12	50 OHM HD-BNC STR PLUG FOR 0.086 CONFORMABLE CABLE	
REFERENCE		ENGINEER	DATE	SCALE: 9.4:1.0 SHEET 2 OF 2	
EAR # 5400		KARTHIK R	20-Jul-12	DWG SIZE B	
CONFIGURATION LEVEL: □□□□		APPROVED	DATE	REV A	
FINISH		H. HE	08-Apr-13	ITEM NO. 34-5026	
		CAD FILE		PART NO. 34-5026	
				Amphenol RF www.amphenolrf.com	