

NOTES:

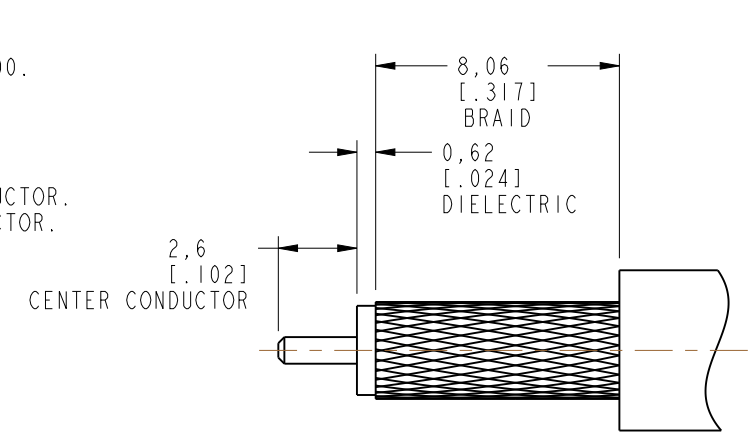
1. MATERIALS AND FINISHES:
 BODY-REAR, FERRULE, RETAINING RING,
 WASHER & BAYONET SLEEVE - BRASS, NICKEL PLATING
 OUTER CONTACT - BeCu, NICKEL PLATING
 CONTACT - PHOSPHOR BRONZE, GOLD PLATING
 SPRING - STAINLESS STEEL, PASSIVATED
 GASKET - FLURO SILICONE RUBBER, BLACK
 INSULATOR & INSULATOR DISC - PTFE, NATURAL
2. ELECTRICAL:
 A. IMPEDANCE: 50 OHM
 B. FREQUENCY RANGE : DC - 6 GHz
 C. RETURN LOSS: -25 dB MAX. DC - 3 GHz
 -20 dB MAX. 3 - 6 GHz
 D. DIELECTRIC WITHSTANDING VOLTAGE: 1000 VRMS, MIN.
 E. INSULATION RESISTANCE: 10,000 MΩ MIN
3. MECHANICAL:
 A. DURABILITY: 500 CYCLES MIN.
 B. TEMPERATURE RANGE: -65°C TO +165°C
4. ENVIRONMENTAL:
 A. THERMAL SHOCK PER MIL-STD-202 METHOD 107
 TEST CONDITION B (EXCEPT HIGH TEMP @200°C)
 B. VIBRATION: MIL-STD-202 METHOD 204 TEST CONDITION B
 C. SHOCK: MIL-STD-202 METHOD 213 TEST CONDITION B
 D. CORROSION: MIL-STD-202 METHOD 101
 TEST CONDITION B 5% SALT SOLUTION

5. PACKAGING:
 A. QUANTITY: SINGLE PACK
 B. MARKING: BAG TO BE MARKED:
 "AMPHENOL RF, 34-5042 DATE CODE"
 U.S. PATENT NO. 7,553,177"
6. HIGH DENSITY INSTALLATION/REMOVAL TOOL: 227-T2000.
7. CABLE ASSEMBLY INSTRUCTIONS:
 A. TRIM CABLE AS SHOWN.
 B. SLIDE FERRULE ONTO CABLE.
 C. SLIDE INSULATOR DISC ONTO CABLE CENTER CONDUCTOR.
 D. SOLDER CENTER CONTACT TO CABLE CENTER CONDUCTOR.
 E. CRIMP FERRULE WITH .213" HEX.

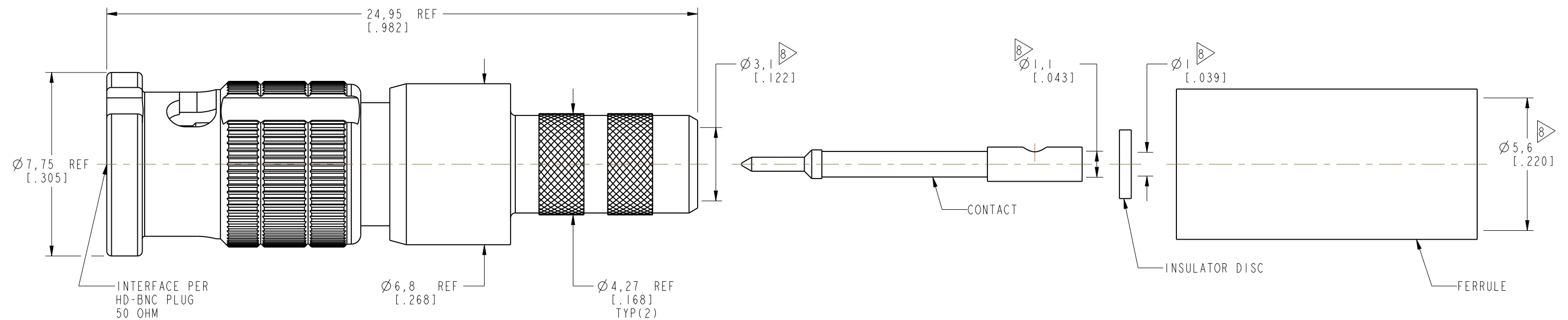
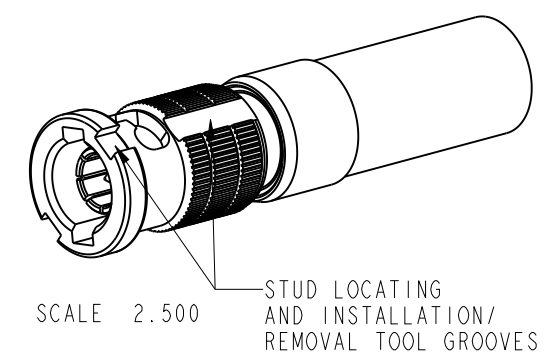
8 SHOWS CABLE ENTRY DIMENSIONS.

THIRD ANGLE PROJ.

		REVISIONS			
REV	DESCRIPTION	DATE	ECN	APPR	
A	RELEASE TO MANUFACTURING	08-Oct-18	09281	CJV	



RECOMMENDED CABLE STRIPPING DIMENSIONS



PROTECTED UNDER U.S. PATENT # 7,553,177

CUSTOMER OUTLINE DRAWING
 ALL OTHER SHEETS ARE FOR INTERNAL USE ONLY

UNLESS OTHERWISE SPECIFIED, DIMENSIONS ARE IN METRIC AND TOLERANCES ARE: <0.5mm ±0.05mm 0.5 - 6mm ±0.1mm 6 - 30mm ±0.2mm 30 - 120mm ±0.3mm ANGLES ±1°	MATERIAL	DRAWN	DATE	TITLE	Amphenol RF www.amphenolrf.com
	SEE NOTES	M.ZHANG	08-Oct-18	50 OHM HD-BNC STR PLUG FOR RG 223/U, 400/U, 55/U & 142/U CABLE	
NOTICE - These drawings, specifications, or other data (1) are, and remain the property of Amphenol corp. (2) must be returned upon request; and (3) are confidential and not to be disclosed to any person other than those to whom they are given by Amphenol Corp. the furnishing of these drawings, specifications, or other data by Amphenol Corp., or to any other person to anyone for any purpose is not to be regarded by implication or otherwise in any manner licensing, granting rights to permitting such holder or any other person to manufacture, use or sell any product, process or design, patented or otherwise, that may in any way be related to or disclosed by said drawings, specifications, or other data.	REFERENCE	ENGINEER	DATE	SCALE: 6.0:1.0	DRAWING NO. 34-5042
	EAR# 7774	KARTHIK R	16-Jun-17	SHEET 2 OF 2	ITEM NO. 34-5042
	REF:	APPROVED	S.HSIEH	DATE	DWG SIZE
CONFIGURATION LEVEL: In Work	FINISH	CAD FILE	12-Oct-18	B	REV A