

NOTES:

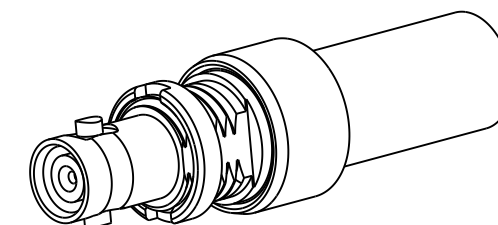
1. MATERIALS AND FINISHES:
 BODY, BODY REAR, NUT & FERRULE - BRASS, NICKEL PLATING
 CONTACT - BeCu, GOLD PLATING
 INSULATOR - PTFE, NATURAL
2. ELECTRICAL:
 A. IMPEDANCE: 50 OHM
 B. FREQUENCY RANGE: DC - 6 GHz
 C. RETURN LOSS: -25 dB MAX TO 3 GHz
 -20 dB MAX TO 6 GHz
 D. DIELECTRIC WITHSTANDING VOLTAGE: 500 VRMS
3. MECHANICAL:
 A. DURABILITY: 500 CYCLES MIN.
 B. TEMPERATURE RANGE: -65°C TO +165°C
4. ENVIRONMENTAL:
 A. THERMAL SHOCK PER MIL-STD-202 METHOD 107
 TEST CONDITION B (EXCEPT HIGH TEMP @200°C)
 B. VIBRATION: MIL-STD-202 METHOD 204 TEST CONDITION B
 C. SHOCK: MIL-STD-202 METHOD 213 TEST CONDITION B
 D. CORROSION: MIL-STD-202 METHOD 101
 TEST CONDITION B 5% SALT SOLUTION

5. PACKAGING:
 A. QUANTITY: SINGLE PACK
 B. MARKING: BAG TO BE MARKED:
 "AMPHENOL RF, 34-5063, DATE CODE
 U.S. PATENT NO. 7,553,177"
6. AMPHENOL SPANNER WRENCH 227-1490 REQUIRED TO
 MOUNT CONNECTOR TO PANEL.
7. CABLE ASSEMBLY INSTRUCTIONS:
 A. TRIM CABLE AS SHOWN.
 B. SOLDER CENTER CONTACT TO CABLE CENTER CONDUCTOR.
 C. CRIMP FERRULE WITH .213" HEX.

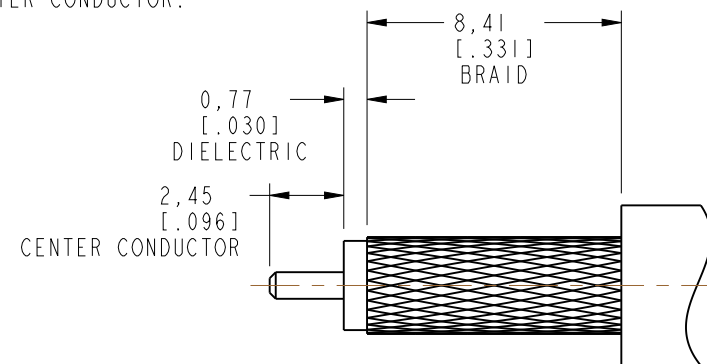
8 SHOWS CABLE ENTRY DIMENSIONS.

THIRD ANGLE PROJ.

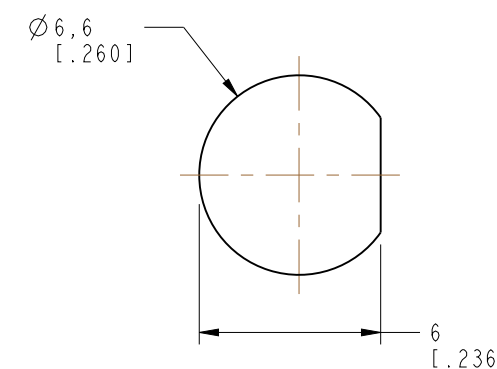
REVISIONS				
REV	DESCRIPTION	DATE	ECN	APPR
A	RELEASE TO MANUFACTURING	08-Oct-18	09281	CJV



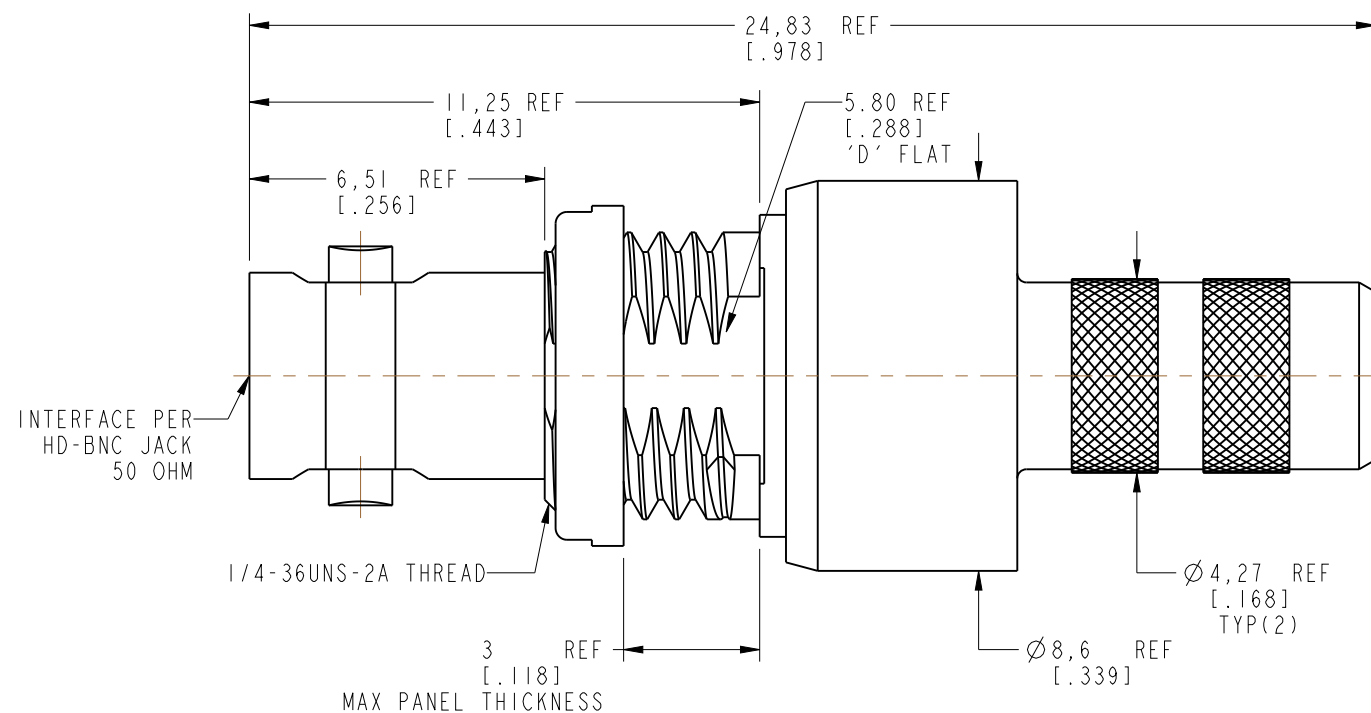
SCALE 2.500



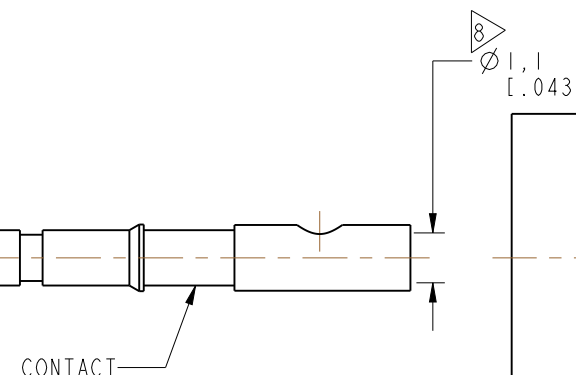
RECOMMENDED CABLE STRIPPING DIMENSIONS



RECOMMENDED MOUNTING HOLE DIMENSIONS



8
 ϕ 3.1
 [.122]



CONTACT

FERRULE

PROTECTED UNDER U.S. PATENT # 7,553,117

CUSTOMER OUTLINE DRAWING
 ALL OTHER SHEETS ARE FOR INTERNAL USE ONLY

UNLESS OTHERWISE SPECIFIED, DIMENSIONS ARE IN METRIC AND TOLERANCES ARE: <0.5mm ±0.05mm 0.5 - 6mm ±0.1mm 6 - 30mm ±0.2mm 30 - 120mm ±0.3mm ANGLES ±1°	MATERIAL	DRAWN	DATE	TITLE	Amphenol RF www.amphenolrf.com	
	SEE NOTES	M.ZHANG	08-Oct-18	50 OHM HD-BNC STR BHD JACK FOR RG 223/U, 400/U, 55/U & 142/U CABLE		
NOTICE - These drawings, specifications, or other data (1) are, and remain the property of Amphenol corp. (2) must be returned upon request; and (3) are confidential and not to be disclosed to any person other than those to whom they are given by Amphenol Corp. the furnishing of these drawings, specifications, or other data by Amphenol Corp., or to any other person to anyone for any purpose is not to be regarded by implication or otherwise in any manner licensing, granting rights to permitting such holder or any other person to manufacture, use or sell any product, process or design, patented or otherwise, that may in any way be related to or disclosed by said drawings, specifications, or other data.	REFERENCE	ENGINEER	DATE	SCALE: 6.0:1.0	DRAWING NO. 34-5063	
	EAR# 7774	MADHAN G	10-Jun-17	SHEET 2 OF 2	ITEM NO. 34-5063	
	REF:	APPROVED	S.HSIEH	DATE	DWG SIZE	PART NO. 34-5063
	CONFIGURATION LEVEL: In Work	S.HSIEH	10-Oct-18	10-Oct-18	B	REV A
FINISH	CAD FILE					