

NOTES:

1. MATERIALS AND FINISHES:

HD-BNC STR PLUG - 34-1026
 BNC CRIMP JACK - 112989
 CABLE - BELDEN 1855A

2. ELECTRICAL:

A. IMPEDANCE: 75 OHM, NOMINAL
 B. FREQUENCY RANGE: DC - 4 GHz
 C. VOLTAGE RATING: 500 VRMS
 D. D.W.V: 1000 VRMS

3. MECHANICAL:

A. TEMPERATURE RANGE : 0°C TO +50°C

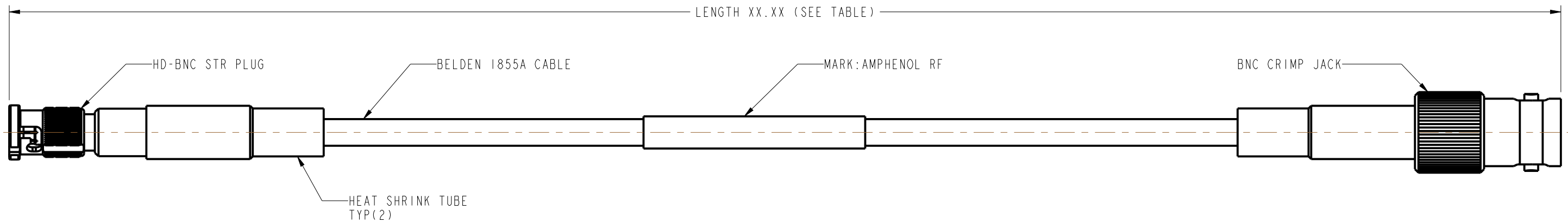
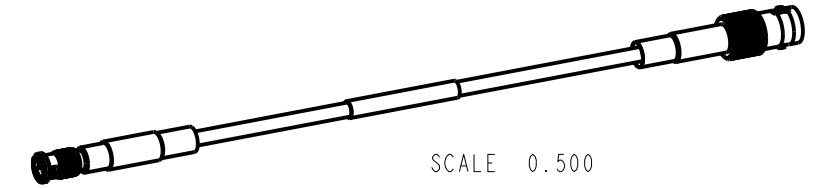
4. PACKAGING:

A. QUANTITY: SINGLE PACK
 B. MARKING: BAG TO BE MARKED
 "AMPHENOL RF, 95-666-44883-X AND DATE CODE"

THIRD ANGLE PROJ.

REVISIONS

REV	DESCRIPTION	DATE	ECO	APPR
A	RELEASE TO MFG.	12/15/14	50311	NR/BCG



95-666-44883-2	12.000±0.315
95-666-44883-1	6.000±0.197
PART NUMBER	LENGTH XX.XX (INCH)

DESIGN REQUIREMENTS:

- | | |
|---|---|
| <input checked="" type="checkbox"/> FREQUENCY : DC TO 4 GHz | <input checked="" type="checkbox"/> CONTINUITY |
| <input type="checkbox"/> VSWR _____ : 1 MAX | <input checked="" type="checkbox"/> HI-POT: 1000 VRMS |
| <input type="checkbox"/> INS. LOSS _____ dB MAX | <input type="checkbox"/> OTHER |

CUSTOMER OUTLINE DRAWING

ALL OTHER SHEETS ARE FOR INTERNAL USE ONLY

UNLESS OTHERWISE SPECIFIED, DIMENSIONS ARE IN INCHES AND TOLERANCES ARE: 2 PLACE DECIMAL 3 PLACE DECIMAL ANGLES ±.015 (0,381 mm) ±.005 (0,127 mm) ± 1°	MATERIAL	DRAWN	DATE	TITLE HD-BNC STR PLUG TO BNC CRIMP JACK USING, BELDEN 1855A CABLE, VARIOUS LENGTHS		Amphenol RF www.amphenolrf.com
	SEE NOTES	RAJAGOPAL N	20-Nov-14			
NOTICE - These drawings, specifications, or other data (1) are, and remain the property of Amphenol corp. (2) must be returned upon request; and (3) are confidential and not to be disclosed to any person other than those to whom they are given by Amphenol Corp. the furnishing of these drawings, specifications, or other data by Amphenol Corp., or to any other person to anyone for any purpose is not to be regarded by implication or otherwise in any manner licensing, granting rights to permitting such holder or any other person to manufacture, use or sell any product, process or design, patented or otherwise, that may in any way be related to or disclosed by said drawings, specifications, or other data.	REFERENCE	ENGINEER	DATE	SCALE: 1.7:1.0 SHEET 2 OF 2		DRAWING NO.95-666-44883-X
	EAR # 6517	RAJAGOPAL N	20-Nov-14	DWG SIZE		ITEM NO.95-666-44883-X
	CONFIGURATION LEVEL: In Work	APPROVED	K. CAPOZZI	DATE	B	REV
FINISH			12/15/14	A		