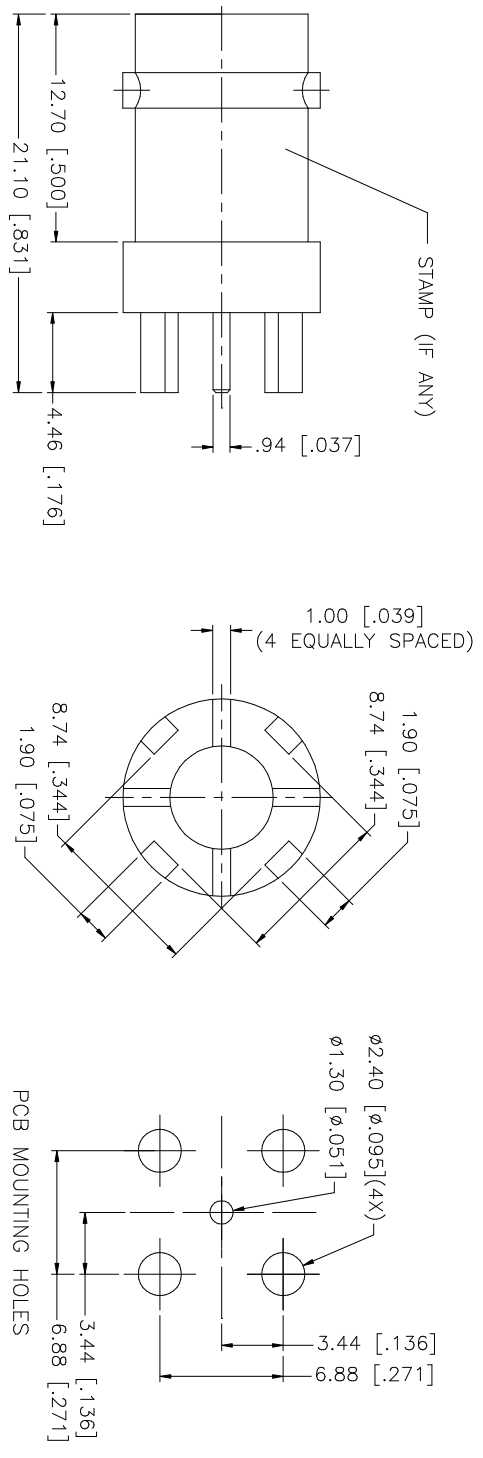


REV.	DATE	DESCRIPTION
A	04/04/03	UPDATE DRAWING FORMAT



QTY	FINISH	MATERIAL	DESCRIPTION
1	NICKEL	BRASS	LOCK RING
1	WHITE	PBT	INSULATOR
1	GOLD	PHOS. BRONZE	CONTACT PIN
1	WHITE	PBT	INSULATOR
1	NICKEL	BRASS	BODY

UNLESS OTHERWISE SPECIFIED DIMENSIONS ARE IN MILLIMETERS, DIMENSIONS IN [ ] ARE IN INCHES AND FOR CUSTOMER REFERENCE ONLY.	UNLESS OTHERWISE SPECIFIED TOLERANCES FOR MILLIMETERS ARE:	UNLESS OTHERWISE SPECIFIED TOLERANCES FOR INCHES ARE:
0.5 - 8mm ± 0.20mm	8 - 30mm ± 0.40mm	30 - 120mm ± 0.50mm
UNLESS OTHERWISE SPECIFIED TOLERANCES FOR MILLIMETERS ARE:		
.020 - .315 = ± 0.007"		
.315 - 1.180 = ± 0.015"		
1.180 - 4.724 = ± 0.020"		

APPROVALS	DATE
DRAWN G.R.S.	04/04/03

CAD FILE	DWG. NO.	REV.	SIZE	SCALE
C:/112/112538/DWG	112538.DWG	A	A	NA

PART DESCRIPTION	PART NO.
BNC P.C. MOUNT RECEIPT JACK	112538

ISSUED SHEET	1 OF 1
CHECKED	

**Amphenol** **Connex**