

Distributed by:

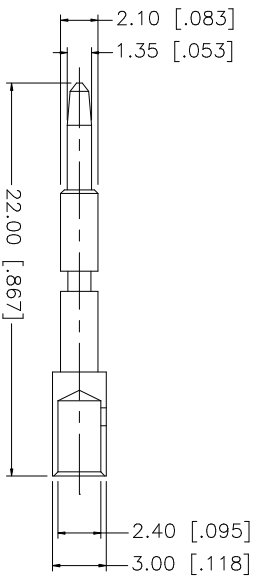
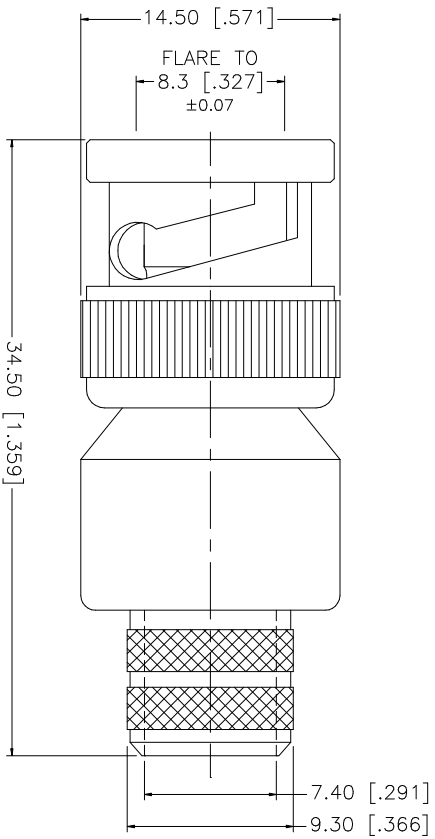
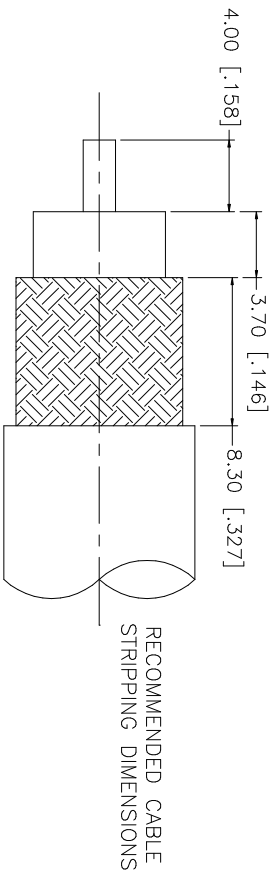
JAMECO[®]
ELECTRONICS

www.Jameco.com ♦ 1-800-831-4242

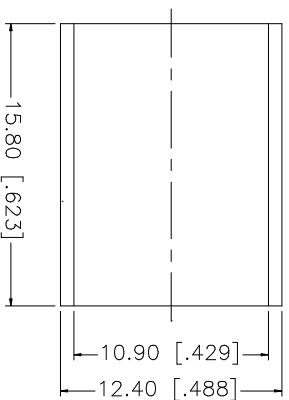
The content and copyrights of the attached
material are the property of its owner.

Jameco Part Number 296112

REV.	DATE	DESCRIPTION
NC	05/05/97	INITIAL RELEASE
A	02/24/03	UPDATE DRAWING FORMAT



- CRIMP NOTES:
1. CRIMPED FERRULE
HEX CRIMP SIZE .429"
 2. CRIMPED CONTACT PIN
HEX CRIMP SIZE .100"



8	7	6	5	4	3	2	1	DESCRIPTION	MATERIAL	FINISH	QTY
				FERRULE	CONTACT PIN	INSULATOR	SHELL/BODY		BRASS	NICKEL	1
									BRASS	GOLD	1
									TEFLON	NATURAL	1
									BRASS	NICKEL	1
<p>UNLESS OTHERWISE SPECIFIED DIMENSIONS ARE IN MILLIMETERS. DIMENSIONS IN [] ARE IN INCHES AND FOR CUSTOMER REFERENCE ONLY. TOLERANCES FOR MILLIMETERS ARE:</p> <p>UNLESS OTHERWISE SPECIFIED DIMENSIONS FOR INCHES ARE:</p> <p>0.5 - 8mm ± 0.20mm 8 - 30mm ± 0.40mm 30 - 120mm ± 0.50mm</p> <p>UNLESS OTHERWISE SPECIFIED DIMENSIONS FOR INCHES ARE:</p> <p>.020 - .315 = ± 0.007" .315 - 1.180 = ± 0.015" 1.180 - 4.724 = ± 0.020"</p> <p>DO NOT SCALE DRAWING</p>											
APPROVALS			DATE			PART DESCRIPTION					
DRAWN G.R.S.			07/20/05			BNC CRIMP PLUG (FOR RG-8, 213 CABLE)					
CHECKED						PART NO. 112562					
ISSUED						DWG. NO. 112562.DWG					
SHEET 1 OF 1						REV. A					
CAD FILE C:/112/112562.DWG						SIZE A					
						SCALE NA					

Amphenol Connex