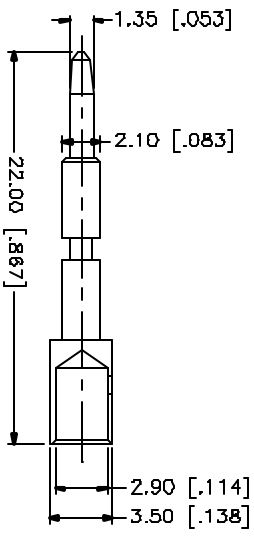
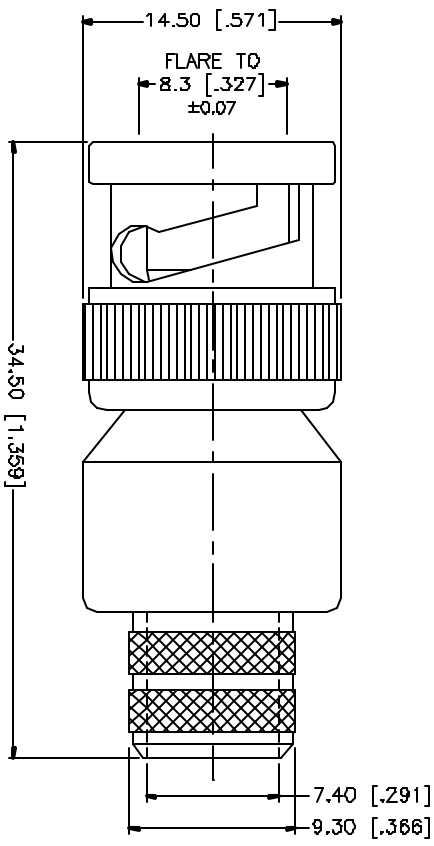
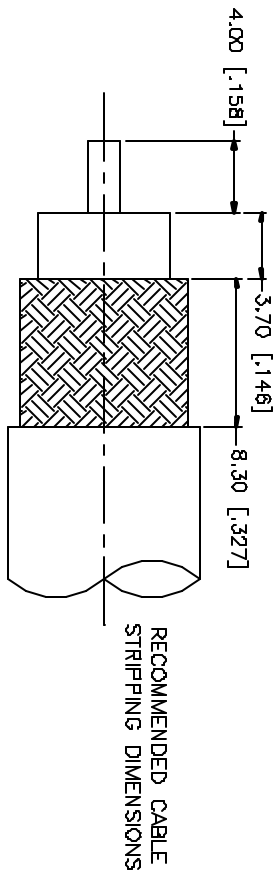
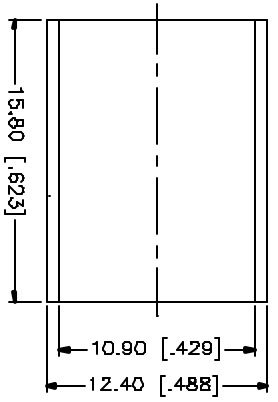


| REV. | DATE | DESCRIPTION |
|------|----------|-----------------------|
| A | 05/01/04 | UPDATE DRAWING FORMAT |



- CRIMP NOTES:
- 1. CRIMPED FERRULE HEX CRIMP SIZE .429"
 - 2. CRIMPED CONTACT PIN HEX CRIMP SIZE .100"



| NO. | DESCRIPTION | MATERIAL | FINISH | QTY |
|--|-------------|----------|---------|----------|
| 9 | | | | |
| 8 | | | | |
| 7 | | | | |
| 6 | | | | |
| 5 | FERRULE | COPPER | NICKEL | 1 |
| 4 | CONTACT PIN | BRASS | GOLD | 1 |
| 3 | INSULATOR | TEFLON | NATURAL | 1 |
| 2 | | | | |
| 1 | BODY | BRASS | NICKEL | 1 |
| DESCRIPTION | | | | |
| MATERIAL | | | | |
| FINISH | | | | |
| QTY | | | | |
| UNLESS OTHERWISE SPECIFIED DIMENSIONS ARE IN MILLIMETERS (DIMENSIONS IN [] ARE IN INCHES AND FOR CUSTOMER REFERENCE ONLY. USE THE FOLLOWING DIMENSIONS FOR MILLIMETER DIMENSIONS UNLESS OTHERWISE SPECIFIED ARE: 0.5 - 8mm ± 0.20mm 8 - 30mm ± 0.40mm 30 - 120mm ± 0.50mm | | | | |
| UNLESS OTHERWISE SPECIFIED DIMENSIONS ARE: .020 - .315 ± 0.007" .315 - 1.180 ± 0.015" 1.180 - 4.724 ± 0.020" | | | | |
| DO NOT SCALE DRAWING | | | | |
| APPROVALS | | DATE | | |
| DRAWN G.R.S. | | 05/01/04 | | |
| CHECKED | | | | |
| ISSUED | | | | |
| SHEET 1 OF 1 | | | | |
| PART DESCRIPTION | | | | |
| BNC CRIMP PLUG | | | | |
| (FOR BELDEN 8214, 9913, 9914) | | | | |
| PART NO. 112563 | | | | |
| DWG. NO. 112563.DWG | | REV. A | | SCALE NA |
| CAD FILE C:/112/112563.DWG | | REV. A | | SCALE NA |

