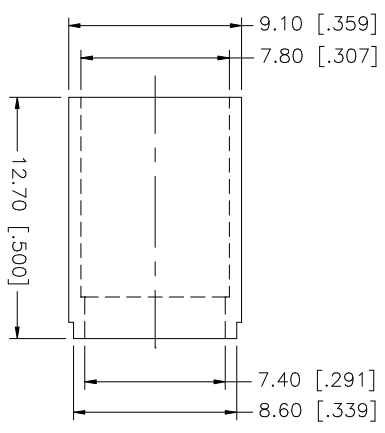
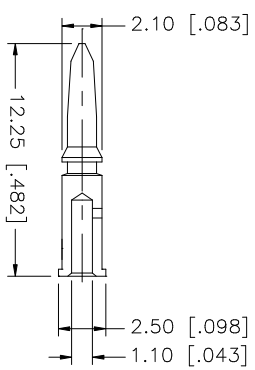
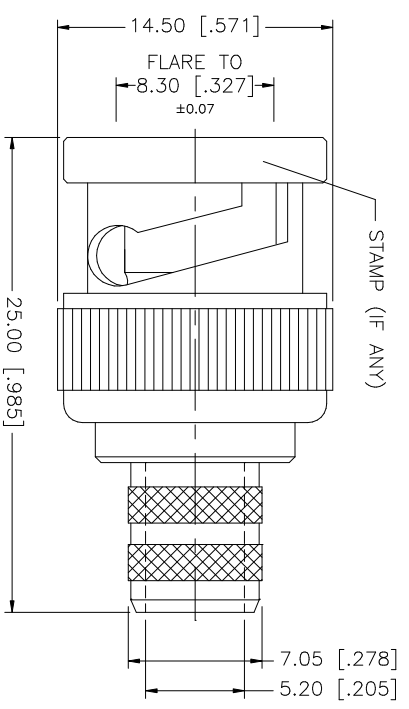
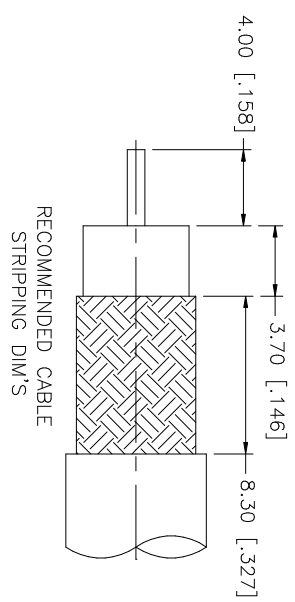


REV.	DATE	DESCRIPTION
A	04/05/03	UPDATE DRAWING FORMAT



CRIMP NOTES:

1. CRIMPED FERRULE  
HEX CRIMP SIZE .319"
2. CRIMPED CONTACT PIN  
HEX CRIMP SIZE .068"

NO.	DESCRIPTION	MATERIAL	FINISH	QTY	UNLESS OTHERWISE SPECIFIED DIMENSIONS ARE IN MILLIMETERS. DIMENSIONS IN [ ] ARE IN INCHES AND FOR CUSTOMER REFERENCE ONLY. TOLERANCES FOR MILLIMETERS ARE:	APPROVALS	DATE	PART DESCRIPTION		
8					0.5 - 8mm ± 0.20mm	DRAWN G.R.S.	04/05/03	BNC CRIMP PLUG (FOR BELDEN 9248 - RG-6/U TYPE)		
7					8 - 30mm ± 0.40mm					
6					30 - 120mm ± 0.50mm	CHECKED				
5	FERRULE	COPPER	NICKEL	1	UNLESS OTHERWISE SPECIFIED DIMENSIONS ARE IN MILLIMETERS. DIMENSIONS IN [ ] ARE IN INCHES AND FOR CUSTOMER REFERENCE ONLY. TOLERANCES FOR MILLIMETERS ARE:	ISSUED				
4	GASKET	RUBBER	RED	1	0.20 - .315 = ± 0.007"	SHEET 1 OF 1				
3	INSULATOR	DELFIN	NATURAL	1	.315 - 1.180 = ± 0.015"	CAD FILE				
2	CONTACT PIN	BRASS	GOLD	1	1.180 - 4.724 = ± 0.020"	C:/112/112565.DWG				
1	SHELL/BODY	BRASS	NICKEL	1	DO NOT SCALE DRAWING	DWG. NO.	112565.DWG	REV. A	SIZE A	SCALE NA
DESCRIPTION										

**Amphenol Connex**