

Distributed by:

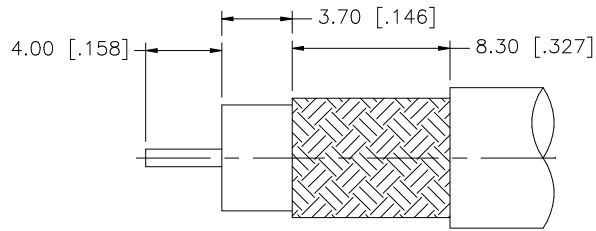
JAMECO[®]
ELECTRONICS

www.Jameco.com ♦ 1-800-831-4242

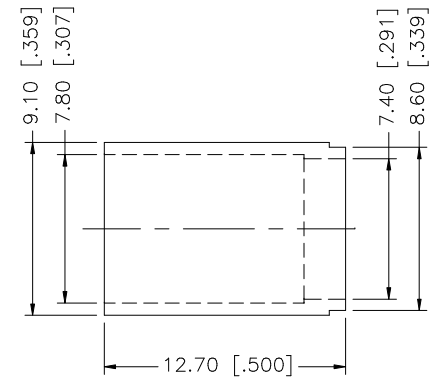
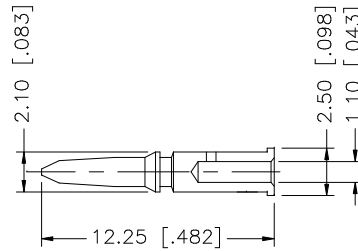
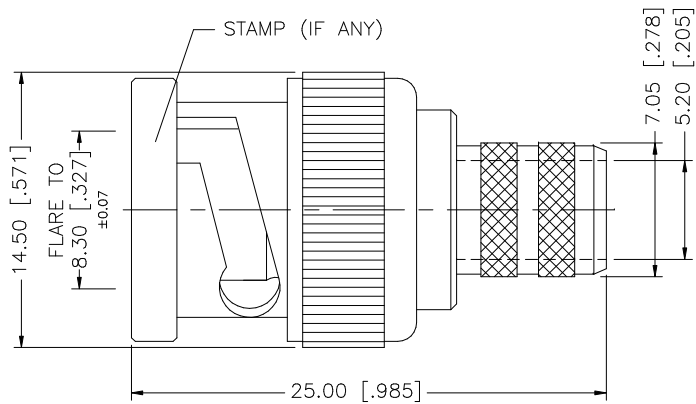
The content and copyrights of the attached
material are the property of its owner.

Jameco Part Number 296121

REV.	DATE	DESCRIPTION
A	04/05/03	UPDATE DRAWING FORMAT



RECOMMENDED CABLE STRIPPING DIM'S



CRIMP NOTES:

1. CRIMPED FERRULE
HEX CRIMP SIZE .319"
2. CRIMPED CONTACT PIN
HEX CRIMP SIZE .068"

REV.	DATE	DESCRIPTION
A	04/05/03	UPDATE DRAWING FORMAT
8		
7		
6		
5	FERRULE	COPPER
4	GASKET	RUBBER
3	INSULATOR	DELTRIN
2	CONTACT PIN	BRASS
1	SHELL/BODY	BRASS
	DESCRIPTION	MATERIAL
		FINISH
		QTY
<small>UNLESS OTHERWISE SPECIFIED DIMENSIONS ARE IN MILLIMETERS. DIMENSIONS IN [] ARE IN INCHES AND FOR CUSTOMER REFERENCE ONLY.</small> <small>UNLESS OTHERWISE SPECIFIED TOLERANCES FOR MILLIMETERS ARE: 0.5 - 8mm ± 0.20mm 8 - 30mm ± 0.40mm 30 - 120mm ± 0.50mm</small> <small>UNLESS OTHERWISE SPECIFIED TOLERANCES FOR INCHES ARE: .020 - .315 = ± 0.007" .315 - 1.180 = ± 0.015" 1.180 - 4.724 = ± 0.020"</small>		
APPROVALS		DATE
DRAWN	G.R.S.	04/05/03
CHECKED		
ISSUED		
SHEET	1 OF 1	
CAD FILE		C:/112/112565.DWG
PART DESCRIPTION		BNC CRIMP PLUG (FOR BELDEN 9248 - RG-6/U TYPE)
PART NO.		112565
DWG. NO.	112565.DWG	REV. A
SIZE	A	SCALE NA

Amphenol Connex