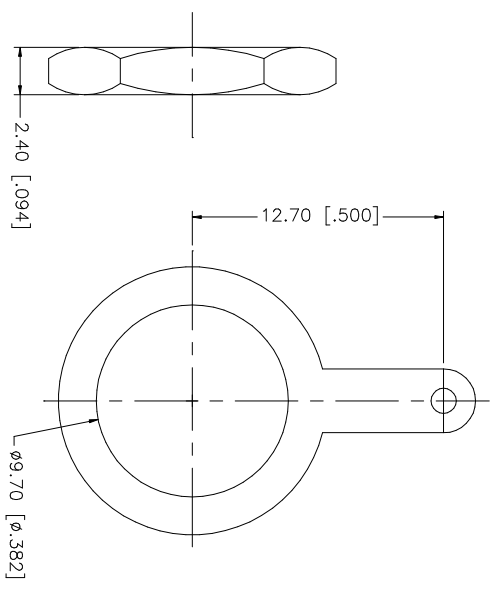
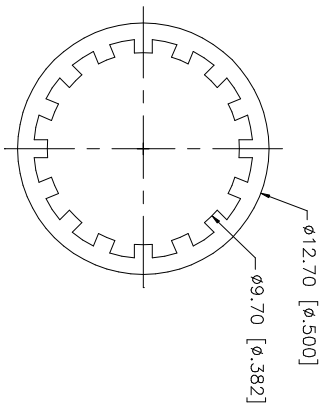
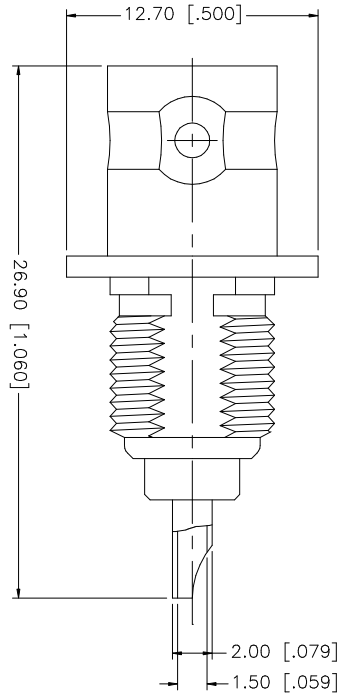
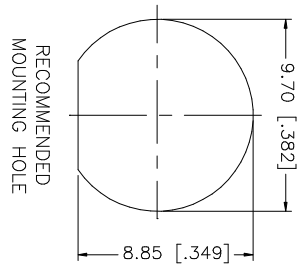


REV.	DATE	DESCRIPTION
A	04/14/04	UPDATE DRAWING FORMAT



8					UNLESS OTHERWISE SPECIFIED, DIMENSIONS ARE IN MILLIMETERS. DIMENSIONS IN [ ] ARE IN INCHES AND FOR CUSTOMER REFERENCE ONLY.	APPROVALS	DATE	<p><b>Amphenol Connex</b></p> <p>PART DESCRIPTION</p> <p>BNC BULKHEAD RECEPTACLE JACK</p>			
7					UNLESS OTHERWISE SPECIFIED, TOLERANCES FOR MILLIMETERS ARE:	DRAWN	G.R.S.		04/14/04		
6					0.5 - 8mm ± 0.20mm	CHECKED					
5	HEX NUT	BRASS	NICKEL	1	8 - 30mm ± 0.40mm	ISSUED					
4	LOCK WASHER	BRASS	NICKEL	1	30 - 120mm ± 0.50mm	SHEET	1 OF 1				
3	INSULATOR	TEFLON	NATURAL	1	UNLESS OTHERWISE SPECIFIED, TOLERANCES FOR INCHES ARE:	CAD FILE					
2	CONTACT PIN	BER. COPPER	GOLD	1	.020 - .315 = ± 0.007"	C:/112/112575.DWG					
1	HOUSING/BODY	BRASS	NICKEL	1	.315 - 1.180 = ± 0.015" 1.180 - 4.724 = ± 0.020"	DWG. NO.	112575.DWG				
	DESCRIPTION	MATERIAL	FINISH	QTY	DO NOT SCALE DRAWING	REV.	A	SIZE	A	SCALE	NA