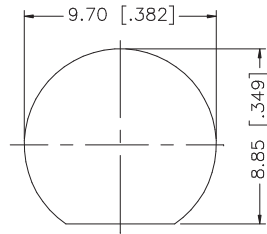
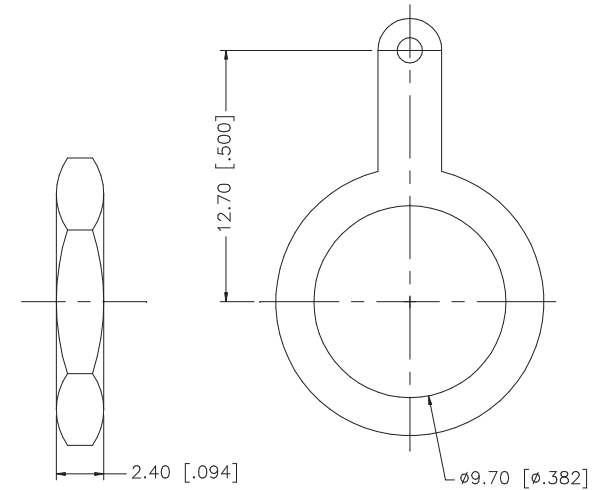
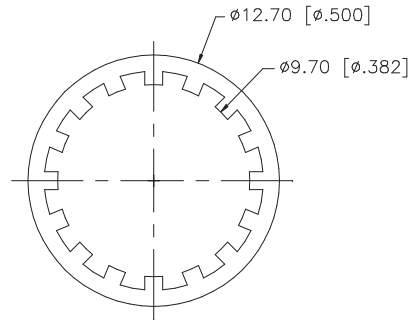
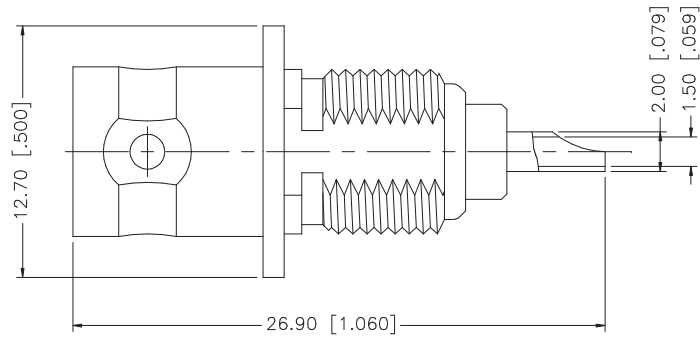


REV.	DATE	DESCRIPTION
A	04/14/04	UPDATE DRAWING FORMAT



RECOMMENDED MOUNTING HOLE



8				
7				
6				
5	HEX NUT	BRASS	NICKEL	1
4	LOCK WASHER	BRASS	NICKEL	1
3	INSULATOR	TEFLON	NATURAL	1
2	CONTACT PIN	BER. COPPER	GOLD	1
1	HOUSING/BODY	BRASS	NICKEL	1
	DESCRIPTION	MATERIAL	FINISH	QTY

UNLESS OTHERWISE SPECIFIED DIMENSIONS ARE IN MILLIMETERS. DIMENSIONS IN [] ARE IN INCHES AND FOR CUSTOMER REFERENCE ONLY.

UNLESS OTHERWISE SPECIFIED TOLERANCES FOR MILLIMETERS ARE:
0.5 - 8mm ± 0.20mm
8 - 30mm ± 0.40mm
30 - 120mm ± 0.50mm

UNLESS OTHERWISE SPECIFIED TOLERANCES FOR INCHES ARE:
.020 - .315 = ± 0.007"
.315 - 1.180 = ± 0.015"
1.180 - 4.724 = ± 0.020"

DO NOT SCALE DRAWING

APPROVALS	DATE
DRAWN G.R.S.	04/14/04
CHECKED	
ISSUED	
SHEET 1 OF 1	
CAD FILE	C:/112/112575.DWG

Amphenol Connex			
PART DESCRIPTION			
BNC BULKHEAD RECEPTACLE JACK			
PART NO. 112575			
DWG. NO.	112575.DWG	REV. A	SIZE A
			SCALE NA