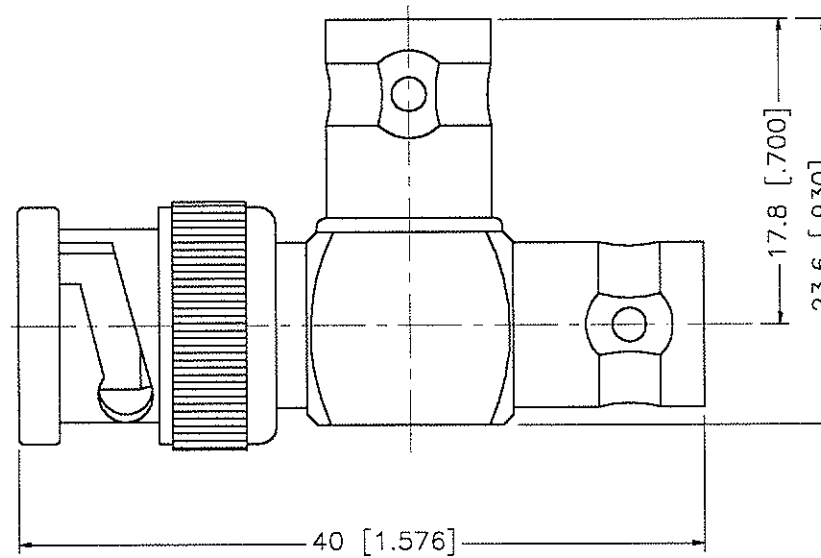



REV.	DATE	DESCRIPTION
NC	04/29/98	INITAL RELEASE



DESCRIPTION	MATERIAL	FINISH	UNLESS OTHERWISE SPECIFIED DIMENSIONS ARE IN MILLIMETERS	APPROVALS	DATE					
1 BODY	BRASS	GOLD	DIMENSIONS IN [ ] ARE IN INCHES FOR CUSTOMER REFERENCE ONLY	DRAWN	G.R.S.	04/29/98	TITLE BNC "T" ADAPTOR / JACK-JACK-PLUG SIZE A FSCM NO. 99001 DWG. NO. 112590.DWG REV. NC			
2 INSULATOR	TEFLON	NATURAL		CHECKED						
3 CONTACT PIN	BRASS	GOLD	UNLESS OTHERWISE SPECIFIED TOLERANCES FOR MILLIMETERS ARE: 0.5-6 = ± 0.2 6-30 = ± 0.4 30-120 = ± 0.6 120-315 = ± 1 315-1000 = ± 1.6 1000-2000 = ± 2.4	ISSUED			SCALE NA PART NO. 112590 SHEET 1 OF 1			
4										
5										
6										
7										
8			DO NOT SCALE DRAWING							