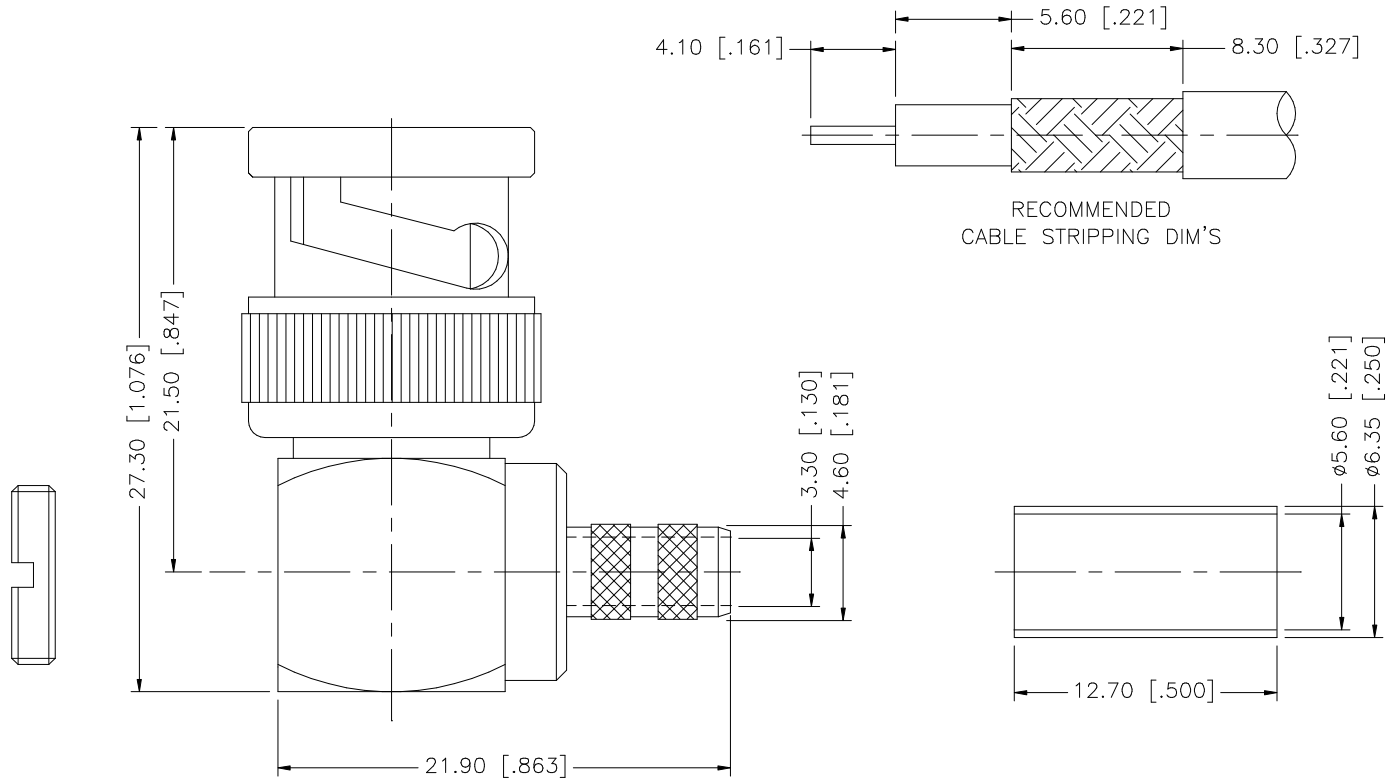


REV.	DATE	DESCRIPTION
NC	08/03/98	INITIAL RELEASE
A	01/30/07	UPDATE DRAWING FORMAT



NOTE:

1. CRIMPED FERRULE HEX CRIMP SIZE .213"

8				<small>UNLESS OTHERWISE SPECIFIED DIMENSIONS ARE IN MILLIMETERS. DIMENSIONS IN [] ARE IN INCHES AND FOR CUSTOMER REFERENCE ONLY.</small> <small>UNLESS OTHERWISE SPECIFIED TOLERANCES FOR MILLIMETERS ARE:</small> 0.5 - 8mm ± 0.20mm 8 - 30mm ± 0.40mm 30 - 120mm ± 0.50mm <small>UNLESS OTHERWISE SPECIFIED TOLERANCES FOR INCHES ARE:</small> .020 - .315 = ± 0.007" .315 - 1.180 = ± 0.015" 1.180 - 4.724 = ± 0.020" DO NOT SCALE DRAWING	APPROVALS	DATE	<h1 style="color: blue;">Amphenol Connex</h1>		
7					DRAWN	G.R.S.		01/30/07	PART DESCRIPTION <h2 style="text-align: center;">BNC R/A CRIMP JACK - LMR200</h2>
6					CHECKED				
5	NUT	BRASS	NICKEL		1	ISSUED			
4	FERRULE	COPPER	NICKEL		1	SHEET	1 OF 1		
3	CONTACT PIN	PHOS. BRONZE	GOLD		1	CAD FILE	C:/112/112599.DWG		
2	INSULATOR	TEFLON	NATURAL	1			PART NO.	112599	
1	BODY	BRASS	NICKEL	1			DWG. NO.	112599.DWG	
	DESCRIPTION	MATERIAL	FINISH	QTY			REV.	A	
							SIZE	A	
							SCALE	NA	