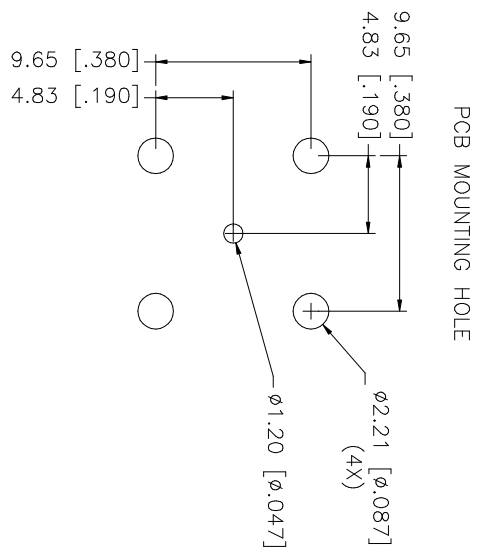
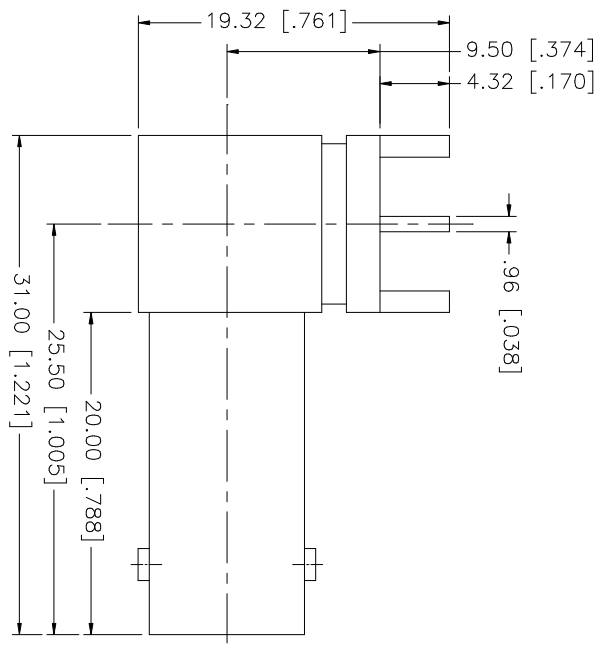
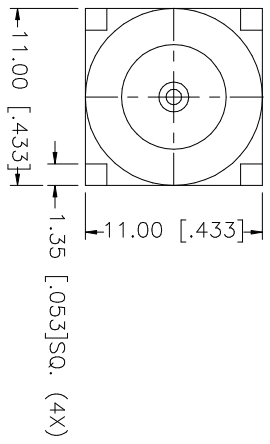


REV.	DATE	DESCRIPTION
NC	07/05/01	INITIAL RELEASE
A	12/19/05	UPDATE DRAWING FORMAT



NO.	DESCRIPTION	MATERIAL	FINISH	QTY	UNLESS OTHERWISE SPECIFIED DIMENSIONS ARE IN MILLIMETERS. DIMENSIONS IN [ ] ARE IN INCHES AND FOR CUSTOMER REFERENCE ONLY.	UNLESS OTHERWISE SPECIFIED TOLERANCES FOR MILLIMETERS ARE:	UNLESS OTHERWISE SPECIFIED TOLERANCES FOR INCHES ARE:	APPROVALS	DATE	PART DESCRIPTION	PART NO.	DWG. NO.	REV.	SIZE	SCALE
8						0.5 - 8mm ± 0.20mm	.020 - .315 = ± 0.007"	DRAWN	G.R.S.	12/19/05	BNC R/A P.C. MOUNT RECEPTACLE	112659	A	A	NA
7						8 - 30mm ± 0.40mm	.315 - 1.180 = ± 0.015"	CHECKED							
6						30 - 120mm ± 0.50mm	1.180 - 4.724 = ± 0.020"	ISSUED							
5								SHEET	1 OF 1						
4	CONTACT PIN	PHOS. BRONZE	GOLD	1											
3	INSULATOR	TEFLON	NATURAL	1											
2	BODY	BRASS	NICKEL	1											
1	DESCRIPTION	MATERIAL	FINISH	QTY	DO NOT SCALE DRAWING			CAD FILE	C:/112/112659.DWG						

**Amphenol Connex**