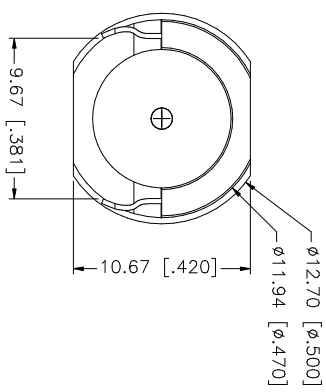
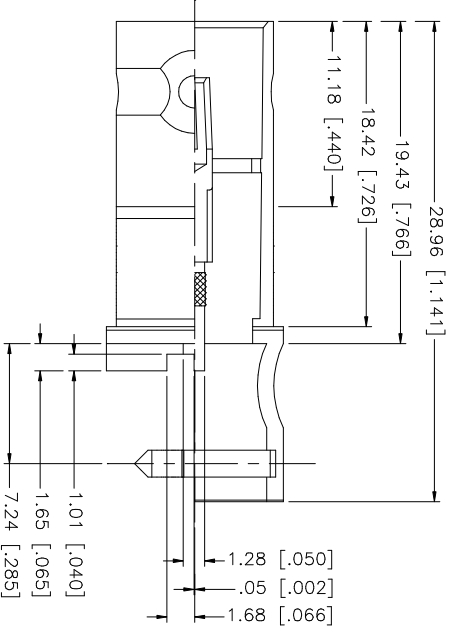
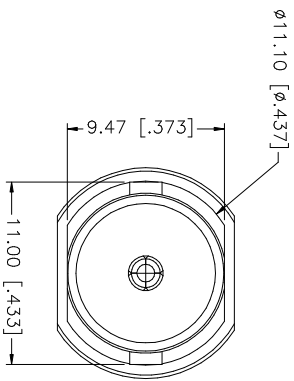
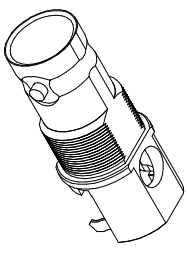
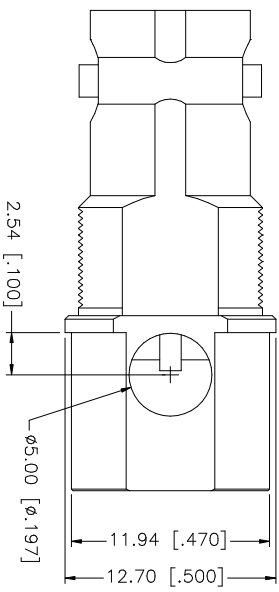
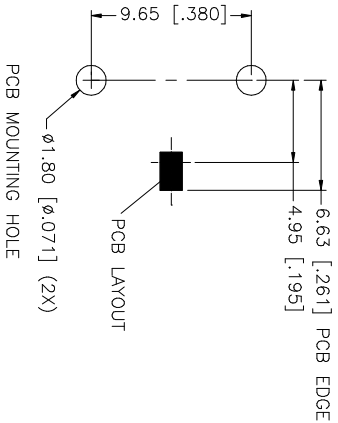


REV.	DATE	DESCRIPTION
NC	05/24/05	INITIAL RELEASE
A	08/05/05	ADD MOUNTING HOLE LAYOUT / ADD $\phi 1.8$
B	09/11/05	MODIFY DIMENSIONS IN MOUNTING PIN AREA
C	12/17/05	REVISE CENTER CONTACT PIN/ ADD X-SECTION
D	02/27/06	MODIFY PART - ADD FLATS - MODIFY CONTACT PIN



10					
9					
8					
7					
6					
5	LOCK RING	BRASS	NICKEL	1	
4	CONTACT PIN	PHOS. BRONZE	GOLD	1	
3	INSULATOR	TEFLON	NATURAL	1	
2	LEG	PHOS. BRONZE	NICKEL	1	
1	MAIN BODY	BRASS	NICKEL	1	
	DESCRIPTION	MATERIAL	FINISH	QTY	

UNLESS OTHERWISE SPECIFIED DIMENSIONS ARE INCHES AND FOR CUSTOMER REFERENCE ONLY.
 UNLESS OTHERWISE SPECIFIED TOLERANCES FOR MILLIMETERS ARE:
 0.5 - 8mm ± 0.20mm
 8 - 30mm ± 0.40mm
 30 - 120mm ± 0.50mm
 UNLESS OTHERWISE SPECIFIED TOLERANCES FOR INCHES ARE:
 .020 - .315 = ± 0.007"
 .315 - 1.180 = ± 0.015"
 1.180 - 4.724 = ± 0.020"

APPROVALS	DATE
DRAWN G.R.S.	02/27/06
CHECKED	
ISSUED	
SHEET 1 OF 1	

Amphenol Connex

BNC PCB MOUNT RECEIPT. JACK

112730

CAD FILE C:/112/112730.DWG

DWG. NO. 112730.DWG

REV. D

SIZE A

SCALE NA