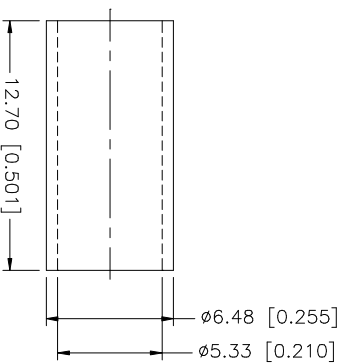
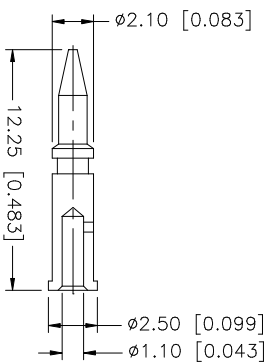
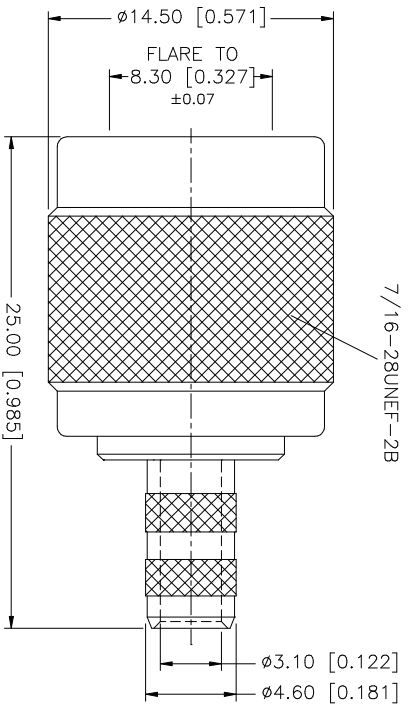
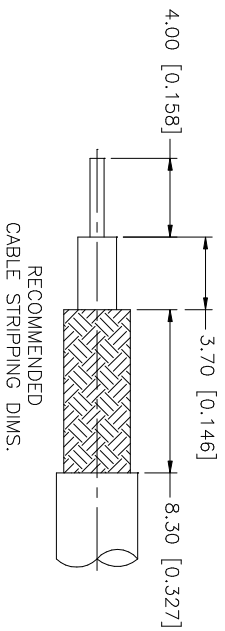


REV.	DATE	DESCRIPTION
A	12/23/02	MODIFY CONTACT PIN LENGTH



NOTE:

1. CRIMPED FERRULE  
HEX CRIMP SIZE .213"
2. CRIMPED CONTACT PIN  
HEX CRIMP SIZE .068"

8																				
8																				
7																				
6																				
5	FERRULE	BRASS	NICKEL	1																
4	GASKET	RUBBER	RED	1																
3	INSULATOR	DELIRIN	NATURAL	1																
2	CONTACT PIN	BRASS	GOLD	1																
1	SHELL/BODY	BRASS	NICKEL	1																
	DESCRIPTION	MATERIAL	FINISH	QTY																
					UNLESS OTHERWISE SPECIFIED DIMENSIONS ARE IN INCHES AND FOR CUSTOMER REFERENCE ONLY.					UNLESS OTHERWISE SPECIFIED DIMENSIONS ARE IN MILLIMETERS UNLESS OTHERWISE SPECIFIED					UNLESS OTHERWISE SPECIFIED DIMENSIONS ARE IN MILLIMETERS UNLESS OTHERWISE SPECIFIED					
					TOLERANCES FOR MILL TO 50 KRB					TOLERANCES FOR MILL TO 50 KRB					TOLERANCES FOR MILL TO 50 KRB					
					0.5 - 8mm ± 0.20mm					0.5 - 8mm ± 0.20mm					0.5 - 8mm ± 0.20mm					
					8 - 30mm ± 0.40mm					8 - 30mm ± 0.40mm					8 - 30mm ± 0.40mm					
					30 - 120mm ± 0.50mm					30 - 120mm ± 0.50mm					30 - 120mm ± 0.50mm					
					UNLESS OTHERWISE SPECIFIED DIMENSIONS FOR INCHES ARE					UNLESS OTHERWISE SPECIFIED DIMENSIONS FOR INCHES ARE					UNLESS OTHERWISE SPECIFIED DIMENSIONS FOR INCHES ARE					
					.020 - .315 = ± 0.007"					.020 - .315 = ± 0.007"					.020 - .315 = ± 0.007"					
					.315 - 1.180 = ± 0.015"					.315 - 1.180 = ± 0.015"					.315 - 1.180 = ± 0.015"					
					1.180 - 4.724 = ± 0.020"					1.180 - 4.724 = ± 0.020"					1.180 - 4.724 = ± 0.020"					
					DO NOT SCALE DRAWING					DO NOT SCALE DRAWING					DO NOT SCALE DRAWING					
					CAD FILE C:/122/122108.DWG					CAD FILE C:/122/122108.DWG					CAD FILE C:/122/122108.DWG					
					APPROVALS					APPROVALS					APPROVALS					
					DRAWN G.R.S.					DRAWN G.R.S.					DRAWN G.R.S.					
					DATE 12/23/02					DATE 12/23/02					DATE 12/23/02					
					CHECKED					CHECKED					CHECKED					
					ISSUED					ISSUED					ISSUED					
					SHEET 1 OF 1					SHEET 1 OF 1					SHEET 1 OF 1					
					PART NO. 122108					PART NO. 122108					PART NO. 122108					
					DMG. NO. 122108.DWG					DMG. NO. 122108.DWG					DMG. NO. 122108.DWG					
					REV. A					REV. A					REV. A					
					SIZE A					SIZE A					SIZE A					
					SCALE NA					SCALE NA					SCALE NA					
					PART DESCRIPTION					PART DESCRIPTION					PART DESCRIPTION					
					TNC STRAIGHT CRIMP PLUG-CAPTIVE CONTACT					TNC STRAIGHT CRIMP PLUG-CAPTIVE CONTACT					TNC STRAIGHT CRIMP PLUG-CAPTIVE CONTACT					
					(FOR RG-58/U CABLE)					(FOR RG-58/U CABLE)					(FOR RG-58/U CABLE)					
					Amphenol Connex					Amphenol Connex					Amphenol Connex					