

Distributed by:

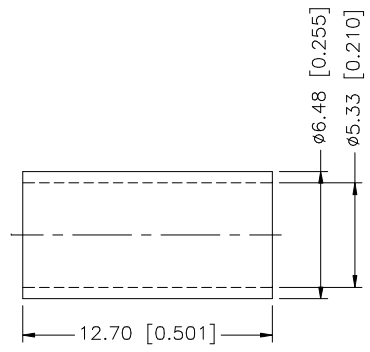
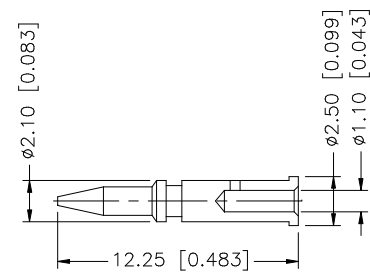
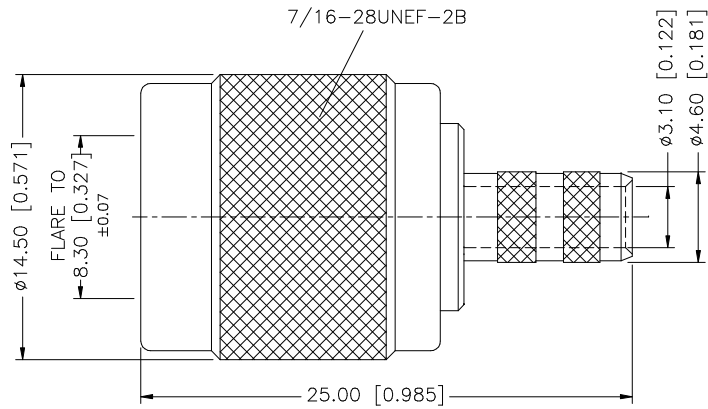
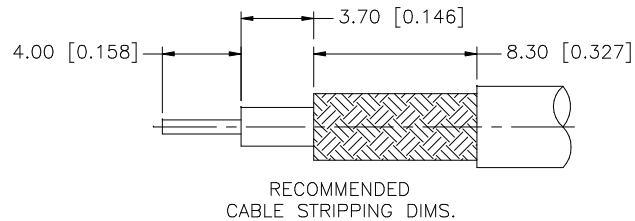
**JAMECO<sup>®</sup>**  
**ELECTRONICS**

[www.Jameco.com](http://www.Jameco.com) ♦ 1-800-831-4242

The content and copyrights of the attached  
material are the property of its owner.

Jameco Part Number 296155

REV.	DATE	DESCRIPTION
A	12/23/02	MODIFY CONTACT PIN LENGTH



NOTE:  
 1. CRIMPED FERRULE  
 HEX CRIMP SIZE .213"  
 2. CRIMPED CONTACT PIN  
 HEX CRIMP SIZE .068"

8					UNLESS OTHERWISE SPECIFIED DIMENSIONS ARE IN MILLIMETERS. DIMENSIONS IN [ ] ARE IN INCHES AND FOR CUSTOMER REFERENCE ONLY.	APPROVALS	DATE	<h1 style="color: blue; text-align: center;">Amphenol Connex</h1>							
7				DRAWN		G.R.S.	12/23/02								
6				CHECKED											
5	FERRULE	BRASS	NICKEL	1	0.5 - 8mm ± 0.20mm 8 - 30mm ± 0.40mm 30 - 120mm ± 0.50mm	ISSUED		<b>PART DESCRIPTION</b> TNC STRAIGHT CRIMP PLUG-CAPTIVE CONTACT (FOR RG-58/U CABLE)							
4	GASKET	RUBBER	RED	1	UNLESS OTHERWISE SPECIFIED TOLERANCES FOR INCHES ARE: .020 - .315 = ± 0.007" .315 - 1.180 = ± 0.015" 1.180 - 4.724 = ± 0.020"										
3	INSULATOR	DELTRIN	NATURAL	1											
2	CONTACT PIN	BRASS	GOLD	1				<b>PART NO.</b> 122108							
1	SHELL/BODY	BRASS	NICKEL	1		SHEET	1 OF 1								
	DESCRIPTION	MATERIAL	FINISH	QTY	DO NOT SCALE DRAWING	CAD FILE	C:/122/122108.DWG	DWG. NO.	122108.DWG	REV.	A	SIZE	A	SCALE	NA