

Distributed by:

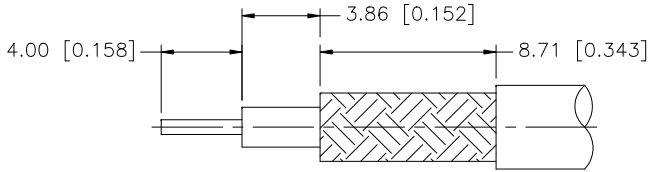
JAMECO[®]
ELECTRONICS

www.Jameco.com ♦ 1-800-831-4242

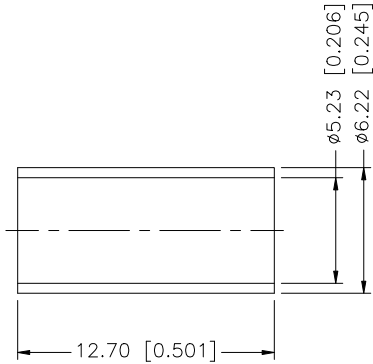
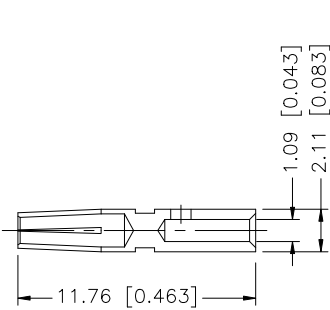
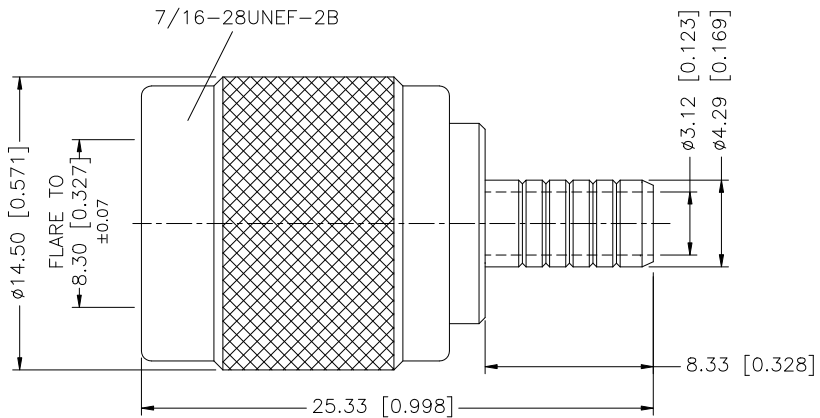
The content and copyrights of the attached
material are the property of its owner.

Jameco Part Number 2098275

REV.	DATE	DESCRIPTION
A	02/24/03	UPDATE DRAWING FORMAT
B	06/30/07	REVISE BODY LENGTH, CONTACT PIN, FERRULE DIMENSIONS



RECOMMENDED
CABLE STRIPPING DIMS.



NOTE:

1. CRIMPED FERRULE HEX CRIMP SIZE .213"
2. CRIMPED CONTACT PIN HEX CRIMP SIZE .068"

				APPROVALS	DATE	<h1 style="color: blue; text-align: center;">Amphenol Connex</h1>				
8				DRAWN	G.R.S.					06/30/07
7				CHECKED			122108RP			
6				ISSUED						
5	FERRULE	COPPER	NICKEL	1	SHEET	1 OF 1	122108RP			
4	GASKET	RUBBER	RED	1						
3	CONTACT PIN	PHOS. BRONZE	GOLD	1			122108RP			
2	INSULATOR	TEFLON	NATURAL	1						
1	SHELL/BODY	BRASS	NICKEL	1			122108RP			
	DESCRIPTION	MATERIAL	FINISH	QTY	CAD FILE					
					C:/122/122108RP.DWG		122108RP.DWG	B	A	NA

UNLESS OTHERWISE SPECIFIED DIMENSIONS ARE IN MILLIMETERS. DIMENSIONS IN [] ARE IN INCHES AND FOR CUSTOMER REFERENCE ONLY.

UNLESS OTHERWISE SPECIFIED TOLERANCES FOR MILLIMETERS ARE:
0.5 - 8mm ± 0.20mm
8 - 30mm ± 0.40mm
30 - 120mm ± 0.50mm

UNLESS OTHERWISE SPECIFIED TOLERANCES FOR INCHES ARE:
.020 - .315 = ± 0.007"
.315 - 1.180 = ± 0.015"
1.180 - 4.724 = ± 0.020"

DO NOT SCALE DRAWING