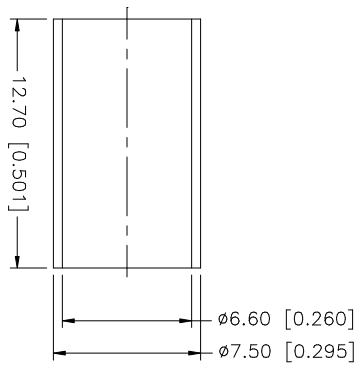
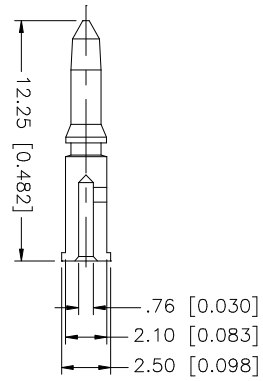
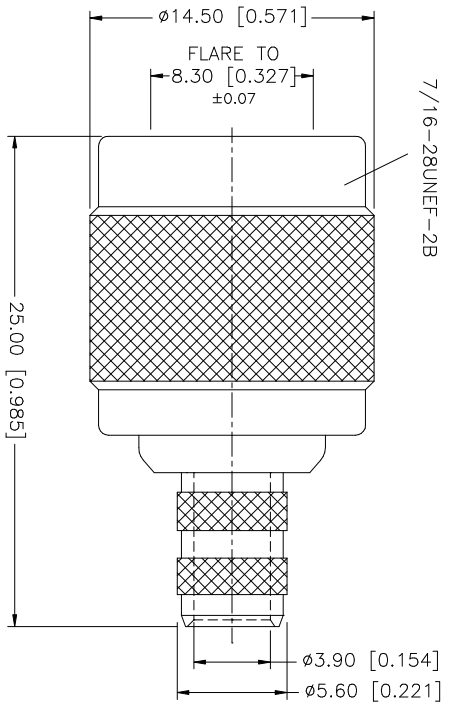
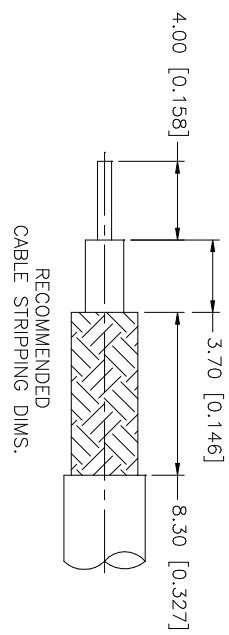


REV.	DATE	DESCRIPTION
NC	07/31/05	INITIAL RELEASE



NOTE:
 1. CRIMPED FERRULE
 HEX CRIMP SIZE .255"
 2. CRIMPED CONTACT PIN
 HEX CRIMP SIZE .068"

QTY	FINISH	MATERIAL	DESCRIPTION
1	NICKEL	COPPER	FERRULE
1	GOLD	BRASS	CONTACT PIN
1	NATURAL	DELURIN	INSULATOR
1	NICKEL	BRASS	SHELL/BODY
			DESCRIPTION

UNLESS OTHERWISE SPECIFIED, DIMENSIONS ARE IN INCHES AND FOR CUSTOMER REFERENCE ONLY.	APPROVALS	DATE	Amphenol Connex PART DESCRIPTION TNC CRIMP PLUG PART NO. 122111
TOLERANCES FOR MILLIMETERS ARE: 0.3 - 8mm ± 0.20mm 8 - 30mm ± 0.40mm 30 - 120mm ± 0.50mm	DRAWN G.R.S.	07/31/05	
UNLESS OTHERWISE SPECIFIED, DIMENSIONS FOR INCHES ARE: .020 - .315 = ± 0.007" .315 - 1.180 = ± 0.015" 1.180 - 4.724 = ± 0.020"	CHECKED ISSUED		
DO NOT SCALE DRAWING	SHEET 1 OF 1		
	CAD FILE C:/122/122111.DWG	DWG. NO. 122111.DWG	REV. NC SIZE A SCALE NA