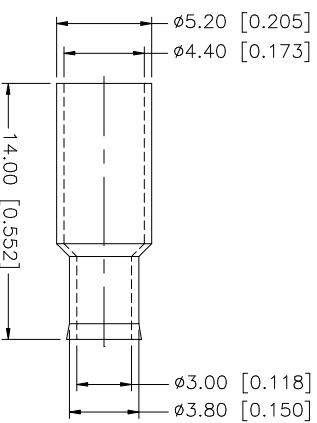
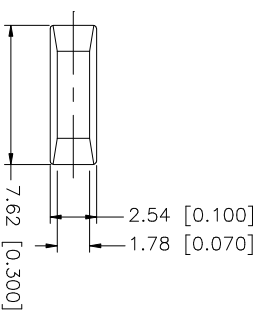
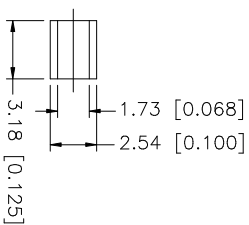
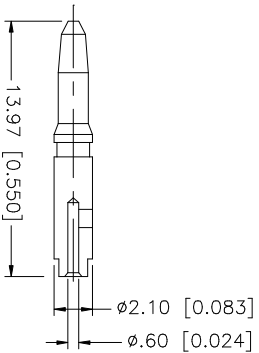
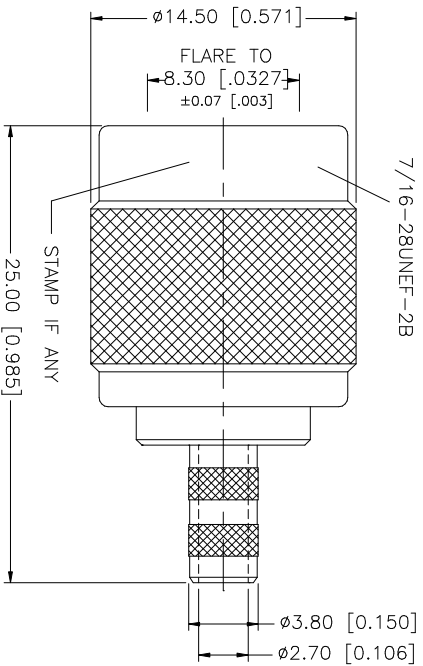
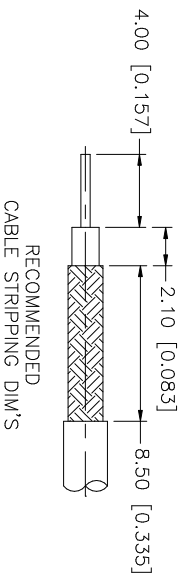


REV.	DATE	DESCRIPTION
A	02/06/00	UPDATE DIMENSIONS - ADD SLEEVE
B	11/25/03	UPDATE DIMENSIONS



- CRIMP NOTES:
1. CRIMPED FERRULE  
HEX SIZE .178"
  2. CRIMPED CONTACT PIN  
HEX CRIMP SIZE .068"
  3. VSWR 1.6 MAX. UP TO 3 GHz

QTY	FINISH	MATERIAL	DESCRIPTION
1	NICKEL	BRASS	SHELL/BODY
1	GOLD	BRASS	CONTACT PIN
1	NICKEL	TEFLON	INSULATOR
1	NICKEL	BRASS	RETAINER RING
1	NATURAL	TEFLON	SLEEVE
1	NICKEL	BRASS	SPACER
1	NICKEL	BRASS	FERRULE

APPROVALS	DATE
DRAWN G.R.S.	11/25/03
CHECKED	
ISSUED	

UNLESS OTHERWISE SPECIFIED, DIMENSIONS ARE IN INCHES UNLESS INDICATED OTHERWISE IN THE NOTES AND FOR CUSTOMER REFERENCE ONLY.
UNLESS OTHERWISE SPECIFIED, TOLERANCES FOR MILLIFETERS ARE: 0.5 - 8mm ± 0.20mm 8 - 30mm ± 0.40mm 30 - 120mm ± 0.50mm
UNLESS OTHERWISE SPECIFIED, TOLERANCES FOR INCHES ARE: .020 - .315 = ± 0.007" .315 - 1.180 = ± 0.015" 1.180 - 4.724 = ± 0.020"

CAD FILE	DWG. NO.	REV.	SIZE	SCALE
C:/122/122116.DWG	122116.DWG	B	A	NA

PART NO.	PART DESCRIPTION
122116	TNC CRIMP PLUG (FOR RG-174/U, 188A/U, 316/U CABLE)